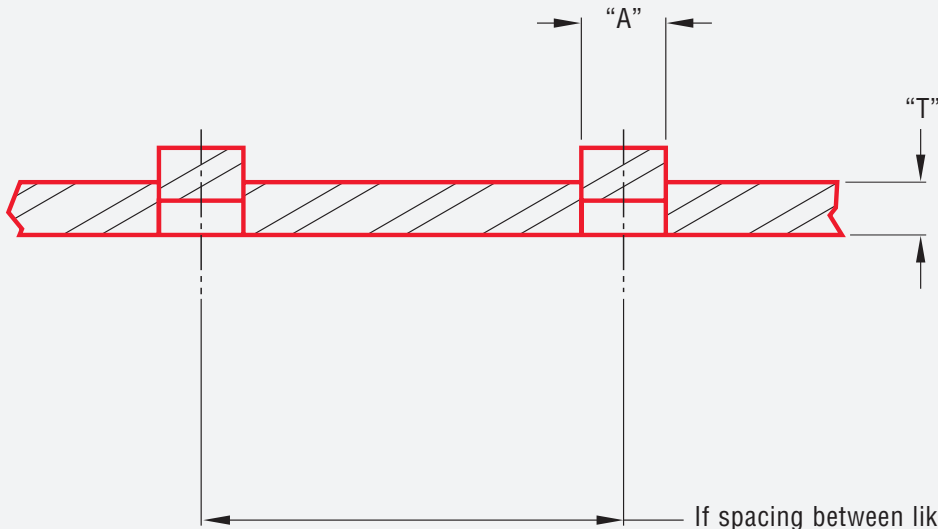


SHEARBUTTON

TOOL CODE S1

30

ORDERING SPECIFICATIONS



If spacing between like or unlike forms is a consideration, please specify or submit a full pattern drawing.

TOOL INFORMATION

AØ _____

GENERAL INFORMATION

Material Type _____

Material Thickness "T" _____

Machine Type _____

Tooling Style _____

Tooling Station _____

Dimensions filled in by _____

Approved By _____

Ø indicates DIAMETER

