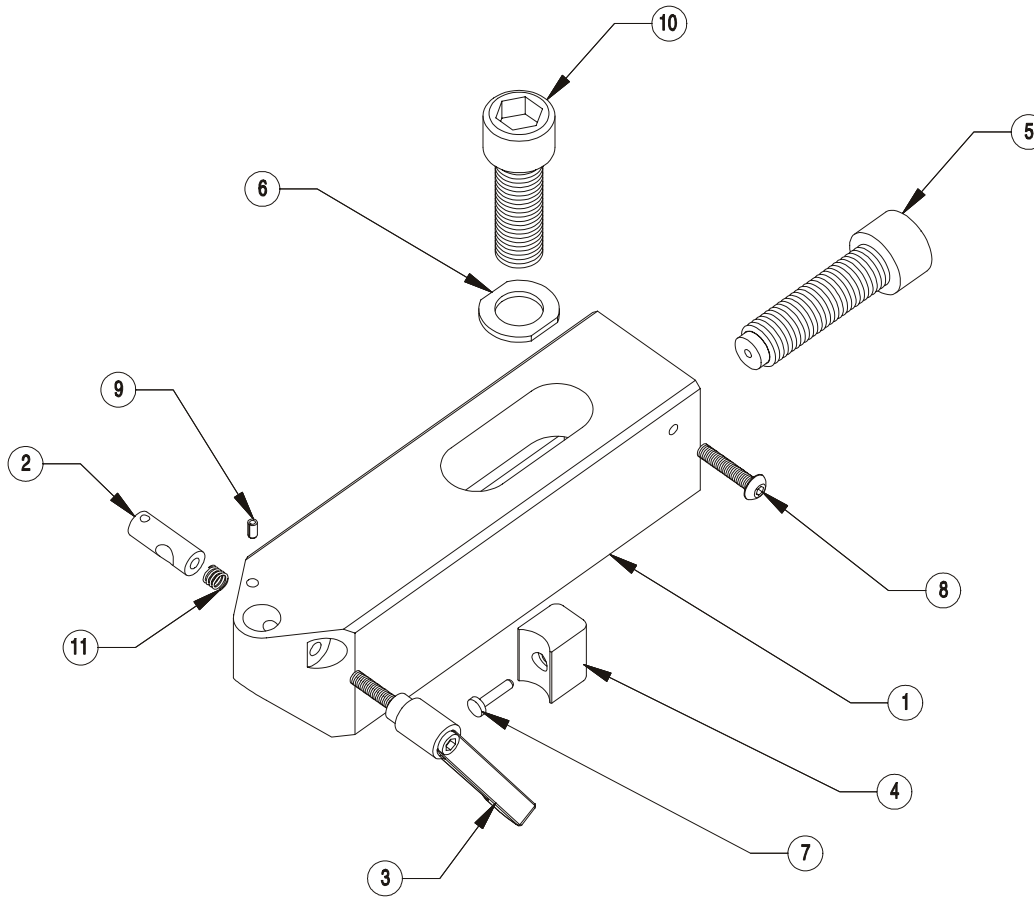


LowerTool Holder Assembly

Hardware Insertion Machine



NOTE: ITEM 3 MAY BE SWITCHED WITH
ITEM 8 TO ACCOMMODATE IRREGULAR
WORKPIECES.

Item	Part No.	Description	Qty.
①	H-166-6	Lower Tool Holder Body	1
②	11-00041	Lock Cylinder	1
③	11-00042	Locking Lever	1
④	H-169-4	Shoe	1
⑤	11-00191	M16 x 60 SHCS, Modified	1
⑥	H-169-6	Lower Tool Washer	1
⑦	H-169-5	Pin	1
⑧	H-3731	M5 x 25 BHCS	1
⑨	11-00199	Spring Roll Pin, 1/8 x 1/4	1
⑩	H-3740	M16 x 50 SHCS	1
⑪	11-00212	Lock Cylinder Spring	1