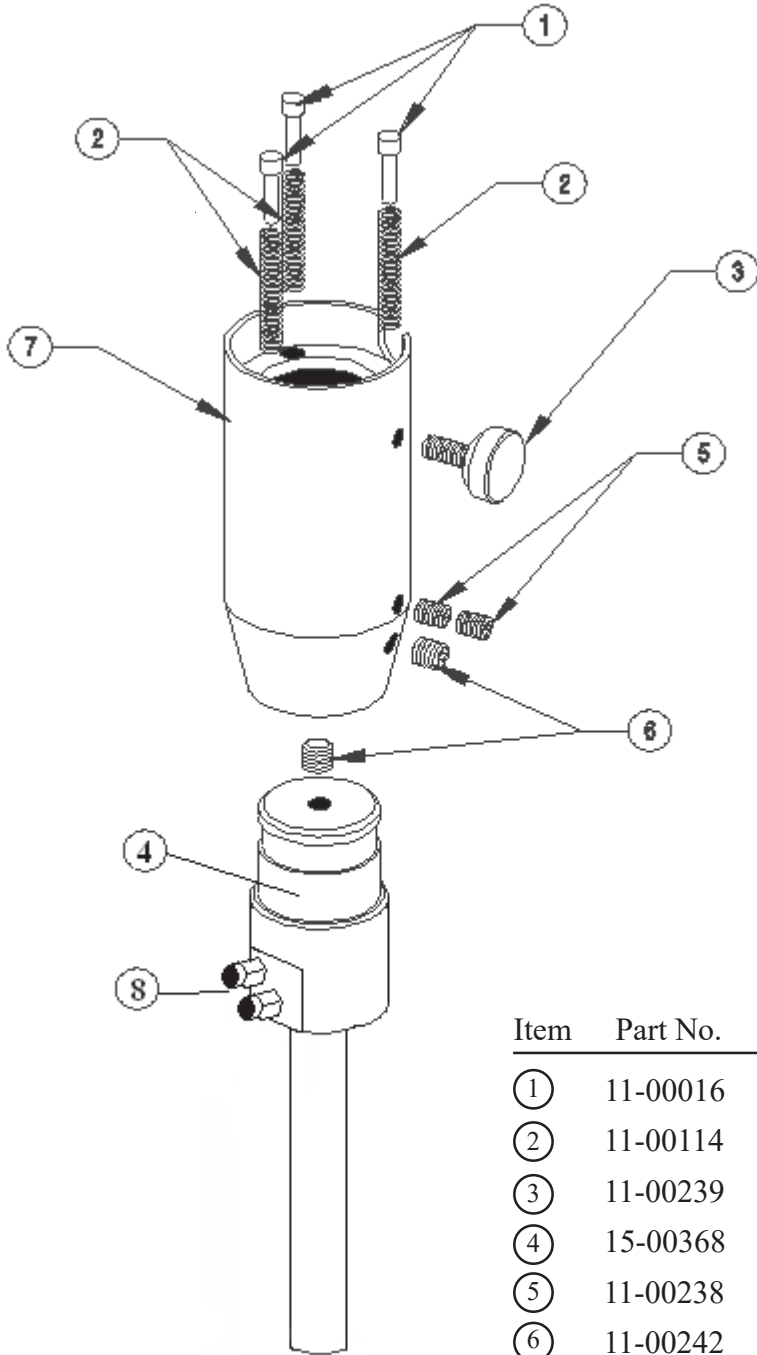


Upper Tool Holder Assembly



Item	Part No.	Description	Qty.
①	11-00016	Continuity Guide Pin	3
②	11-00114	Continuity Springs	3
③	11-00239	Thumbscrew Assembly	1
④	15-00368	Vacuum Anvil	1
⑤	11-00238	M5 X 6 SHSS	2
⑥	11-00242	M6 X 6 SHSS	4
⑦	15-00095	Upper Tool Holder Body	1
⑧	H-2615	1/4" Strait Air Fittings	2