

***Replacement Parts for Amada
and Fanuc Machinery***



2011

www.ALTPARTS.COM

Alternative Parts, Inc. is the manufacturer and distributor of replacement parts for Amada Machinery.

The company was founded to provide you with another source of obtaining parts for your equipment. An Alternative. Since inception, we have committed ourselves to serving our growing customer base with the best quality parts at competitive prices. Our complete product line has been designed and manufactured to original OEM specifications. Without substituting quality, we offer prices that reflect 10% to 70% discounts.

All orders received for stock items are shipped the same day with next day deliveries available to customers with emergency situations. The customer's needs dictate our inventories. For this reason, our product line is constantly being expanded. If it is not possible to locate a particular part in our catalogue, do not hesitate to inquire as to product availability. We welcome all requests for quotations on unlisted items.

Within the contents of this catalogue, we offer you a means of prolonging the life of your machine. Proper periodic maintenance coupled with the correct timing of replacing wearable parts is the combination needed to secure longevity for your equipment.

Alternative Service, Inc. provides Nationwide Service for all Amada Fabricating Equipment. Service Contracts are available which will include a **25%** discount on most parts.

Alternative Machinery Sales, Inc. is dedicated to providing our customers with the highest quality new and used equipment in the industry. We are committed to match the customers' needs with the correct machine. Our after sale support and service is second to none.

AMS is proud to announce its new line of turret punch presses by *Tailift*.

TERMS OF SALE

10% SALES DISCOUNT: *Customers that attain a \$9,000 level in part sales over a period of 12 months are eligible for a 10% Discount on all orders thereafter. Customers must maintain an annual sales volume of \$9000 to continue qualification for this special Discount.*

CREDIT: API extends open account privileges to all qualified Enterprises that furnish 3 trade references and one bank reference. We will ship all orders UPS/COD until satisfactory credit is established. A credit application will be supplied upon request.

PAYMENT TERMS: As stated above or thirty days after date of issue of invoice. Past due accounts will be subject to 1 ½ % monthly service charge. Delinquent accounts will revert to COD status until a satisfactory review of the account is completed. Issuers of returned checks will be charged \$20.00 to cover bank fees.

SALES TAX: If your purchase is considered TAX EXEMPT, please indicate such at time of order placement. We are required to have a valid Tax Exempt Certificate on file before we are allowed by the State of New York to exempt a sale from tax collection. Sales tax will be added to the invoice of those orders not exempt from sales tax.

DELIVERY: All orders receive immediate attention; stock items are normally shipped same day via UPS. In the unlikely event that the item you need is not available from stock; we can almost always meet your requirements within 10 days.

FREIGHT: Shipments weighing over 100 pounds will be shipped by common carriers unless otherwise instructed by customer. Consult your Local Agent for truck rates.

RETURN POLICY: Goods may be returned only after receiving approval and authorization from our sales department. Returned goods may be subject to a 10 - 20% restocking fee.

PRICES: Prices are subject to change without advance notification. All shipments will be invoiced at prices prevailing on the date of shipment.

LIMITED WARRANTY: We warrant that most of our products of manufacture will be free of defects in material and workmanship under normal use and service for 12 months from date of delivery to the original user. Any defects in material or workmanship will be corrected by repair or replacement of the product F.O.B. our plant. Electrical and computer control boards and accessories are warranted for 30 days. Since it is not possible for API to monitor the manner of use of electrical and computer components, the 30 day warranty may be voided by direct damages caused by the purchaser. The voiding of the 30 day warranty will be determined exclusively by API's technicians.

CORE RETURN POLICY: Parts that have a core return value may be returned within 30 days for credit. The credit is determined by "economic repair value." Full or partial credits will be issued after evaluation. Please call our sales department for further information regarding potential credits on your old worn out motors, valves, power supplies, etc.

Table of Contents

WORK HOLDER CLAMPS	1
Pega, Vipros, Laser, Aries 245 - New Style – Pneumatic	2-3
Pega, Original Style – Pneumatic	4-5
Octo.....	6-7
Aries 222, 224.....	8-9
Lyra, Coma, Vela, - Thin Clamp – Pneumatic	10-11
Vela, Coma - Thick Clamp – Pneumatic	12-13
Coma - New Style – Hydraulic.....	14-15
Coma - Original Style – Hydraulic	16-17
Coma - Thick Clamp – Hydraulic.....	18-19
Coma, Vela, Lyra, Pega – Stubby.....	20-21
Laser Clamp - Apelio and Pulsar, 10mm.....	22-23
Laser Clamp - Apelio and Pulsar, 13mm.....	24-25
Em Style Pneumatic A0100 CA.....	26-27
New Style Hydraulic, A0107 – INT	28-29
CLUTCH AND BRAKE / CRANK	30
Pega 244 Brake, Clutch and Crank	31-33
Pega 344, 357, Vela 355, Brake, Clutch and Crank	34-36
Pega King P345, Brake and Clutch.....	37-38
Pega King P345, Crank.....	39-40
Coma 555, 557, 567 Brake, Clutch and Crank	41-43
Octo 334 Brake, Clutch and Crank	44-45
Hydraulic Clutch and Brake, Pega/Coma Hydraulic Crank	46
Miscellaneous Hardware	46
TURRET	47
Guide Keys - Die Keys - Lifter Springs - Guide Bushings – Shoulder Bolts.....	48-50
Die Holders and Hardware.....	51
AUTO INDEX	52
Auto Index	53-57
PNEUMATIC	58
Tubing - Quick Disconnect tube fittings.....	59
Quick Disconnect tube fittings.....	60-61
Air Components - Ross Valves – Lubricators - Air Filters - Regulators.....	62-64
Striker - Shear Plates - Backup Plates.....	65
LUBRICATION	66
Pumps - Distribution Blocks - Bowls	67

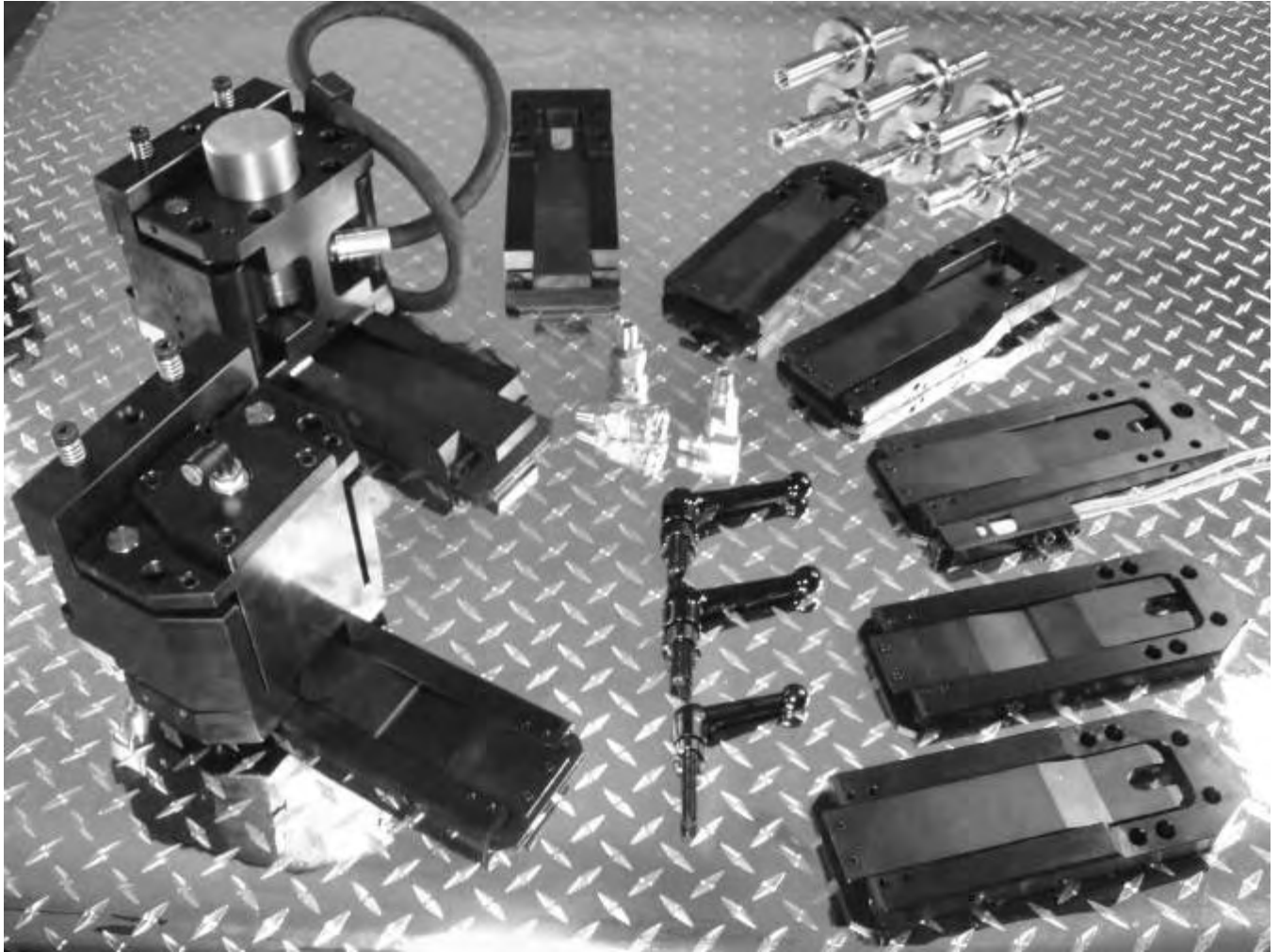
Table of Contents

LASER PRODUCTS	68
Consumables	69
Nozzles and Gaskets	70
Optics and Mirrors	72 – 73
O-Rings & Misc	73
Sensor Heads & Cables	74
Fans	74
Bellows	75
Turbo Blowers and Vacuum Pumps	75
Power Supplies and Controls	75
ELECTRICAL	76
Batteries, Control Lamps, Fans, Fuses.....	77
Switches.....	78-79
Limit Switches	79-80
Proximity Switches.....	81-82
Servo Motor Parts	83
SHEAR BLADES	84
Amada – Cincinnati – Century – Niagra – Wysong – Pexto - Pacific & others	85
Shear Parts	86
HYDRAULICS	87
Bladders – Accumulator Charge Kits – Wet Clutch Control Valve	88
Vipros Filters, Linear Servo Valves.....	89
Hydraulic Filters	90
CONTROL CHANGES	91
Turret Punch Press	92
Press Brake	93
Single Station Press	94
Shear	95
BOARDS AND MOTOR COMPUTER ACCESSORIES	96
Control Boards: 200B - 3000C - 6M – NC9EX – 18P – 04PC	97-99
DNC System, Memory Expansion Boards	100
HFB, HFE, M SHEAR Control Boards	101
SERVO MOTORS	102
Motors	103

Table of Contents

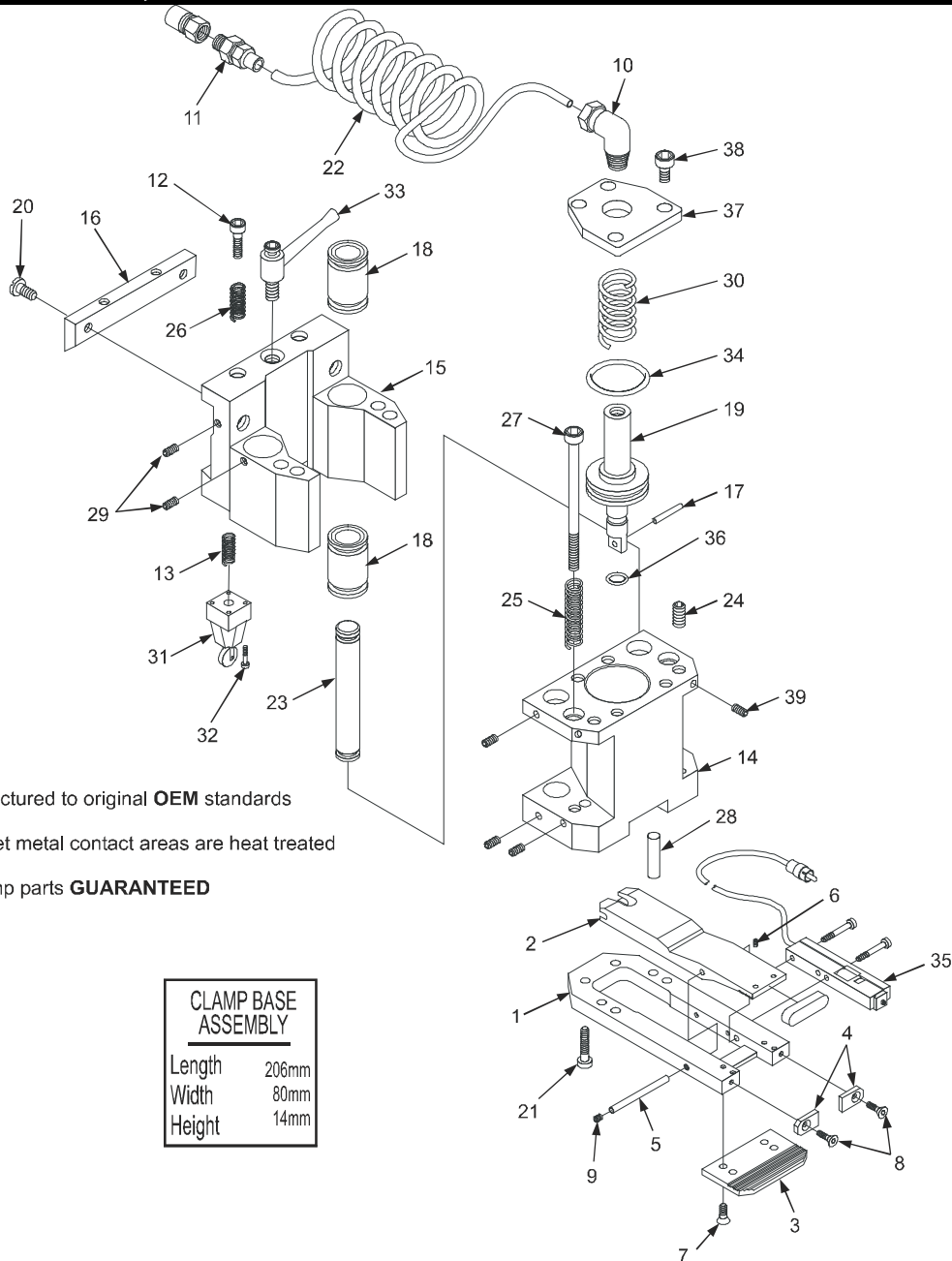
PRESS BRAKE PARTS	104
Work Stopper Assembly	105/06
RG/FBD Press Brake	107
HFB/HFE Press Brake	108
BALLSCREWS AND LINEAR MOTION GUIDES	109
Ballscrew Kits, Ballscrews	110
Ballscrew Hardware	111
Linear Motion Guides	112
BELTS - O RINGS - OIL SEALS – BEARINGS	113
O-Rings	114/15
Timing Belts	115
Bearings	116
Belts - Oil Seals	117
Table Parts - Machine Mounts	118
Safety Mats - Tool Grinding Wheel / Togu	119
TURRET REFURBISHING	120
Turret Sleaving	121/23
METRIC HARDWARE	124
Screws and Hardware	124

WORK HOLDER CLAMPS





NEW STYLE CLAMP - PNEUMATIC PEGA, VIPROS, ARIES 245, LASER, & ALL PNEUMATIC CONVERSIONS



- Manufactured to original **OEM** standards
- All sheet metal contact areas are heat treated
- All clamp parts **GUARANTEED**

CLAMP BASE ASSEMBLY	
Length	206mm
Width	80mm
Height	14mm

API Drawing #	API Part #	AMADA Drawing #	Description	Price
1	A0301-B	826189	Clamp Base	\$146.00
2	A0401-CL	826182	Clamper	\$106.00
3	A0501-CP	816025/826235	Clamp Plate	\$24.50
4	A0601-SP	816026	Stopper Plate	\$9.50
5	A0794	M6X60	Straight Pin	\$1.50



Alternative Parts Inc.

REPLACEMENT PARTS FOR AMADA MACHINERY
7 Sawgrass Drive, Bellport, NY 11713 • www.ALTPARTS.COM

Toll Free
888-882-6001

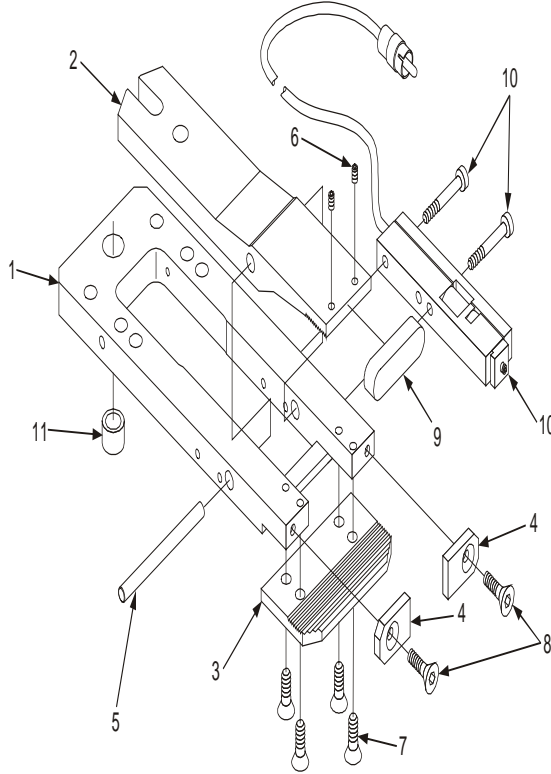
NEW STYLE CLAMP - PNEUMATIC PEGA, VIPROS, ARIES 245, LASER, & ALL PNEUMATIC CONVERSIONS

API Drawing #	API Part #	AMADA Drawing #	Description	Price
1-34	A0101-CA	826180	Complete Clamp Assembly	\$1,149.00
1-9	A0201-CBA	826189	Clamp Base Assembly	\$269.00
6	A0830	M5 x 6	Screw - M5x6 - 10 pcs- (Clamper Tip)	\$3.00
7	A0831	M5 x 12	Screw - M5x12- 10 pcs- (Clamp Plate)	\$3.00
8	A0832	M4 x 10	Screw - M4x10- 10 pcs- (Stopper Plate)	\$3.00
9	A0835	N/A	Set Screw - M8X8	\$0.40
10	A4155	KQL06-02S	Elbow	\$5.75
11	A4123	KQH06-02S	Connector	\$6.90
12	A0887	P338135015	Shoulder Bolt	\$3.00
13	A0891	N/A	Spring	\$3.00
14	A0874*	N/A	Clamp Body - Piston Side	\$499.00
15	A0879*	N/A	Clamp Body - Dove Tail Side	\$499.00
16	A0881	0816004	Dove Tail Plate	\$44.00
17	A0882	P337020028	Pin	\$1.00
18	A0862*	N/A	Linear Bearing	\$24.99
19	A0620	0826184	Piston	\$375.00
20	A0875	0816005	Bolt	\$9.90
21	A0895	N/A	Bolt M8x25	\$1.00
22	A0876	N/A	Coil Tubing	\$15.00
23	A0898*	N/A	Rod	\$18.00
24	A0831B	P330570059	Set Screw M6X8	\$0.50
25	A0877	0826218	Spring	\$5.00
26	A0888	0816006	Spring	\$3.00
27	A0839	P330223019	Bolt (package of 10)	\$7.90
28	A0966	N/A	Pin	\$3.00
29	A0889	N/A	Set Screw - M6X6 - (package of 10)	\$3.00
30	A0846	74161330	Spring	\$19.00
31	A0871	6WPH200-1	Head	\$41.00
32	A0890	N/A	Bolt - 10pcs	\$3.00
33	A0812	KR12 x 20	Clamp Lever (Steel) 12mm	\$29.00
34	A9234	P50A	O - Ring P50A	\$1.50
35	A0855A	8635270D	Sheet Sensor (for Auto Loader)	\$165.00
36	A9220	P-12/P590000012	O - Ring P12	\$0.75
37	A0878	74335901/0826188	Cylinder Cap	\$150.00
38	A0839q	N/A	M6 X 16 Cap Head Bolt (package of 10)	\$7.90
39	A0825	N/A	M4 X 6 Cone Point Set Screw (package of 10)	\$3.00
N/A	A0803	20SM	Coupler-Female (quick connect)	\$11.90
N/A	A0804	20PF (1/4")	Coupler-Male (quick connect)	\$4.90
N/A	A0811	KR10 x 20	Clamp Lever (Steel) 10mm	\$29.00
N/A	A0840	N/A	Shims .010" - 10 pcs	\$16.00
N/A	A0841	N/A	Shims .003" - 10 pcs	\$16.00
N/A	A0842	N/A	Shims .005" - 10 pcs	\$16.00
N/A	A0844	6048241	Override Block: Vipros	\$259.00
N/A	A0845	74161389	Override Plunger Assembly Vipros 255	\$99.00

* Not available for OEM assembly



PEGA ORIGINAL STYLE CLAMP - PNEUMATIC



- Manufactured to original **GEM** standards
- All sheet metal contact areas heat treated
- All clamp parts **GUARANTEED**

CLAMP BASE ASSEMBLY
Length 216mm
Width 80mm
Height 14mm



Alternative Parts Inc.
 REPLACEMENT PARTS FOR AMADA MACHINERY
 7 Sawgrass Drive, Bellport, NY 11713 • www.ALTPARTS.COM

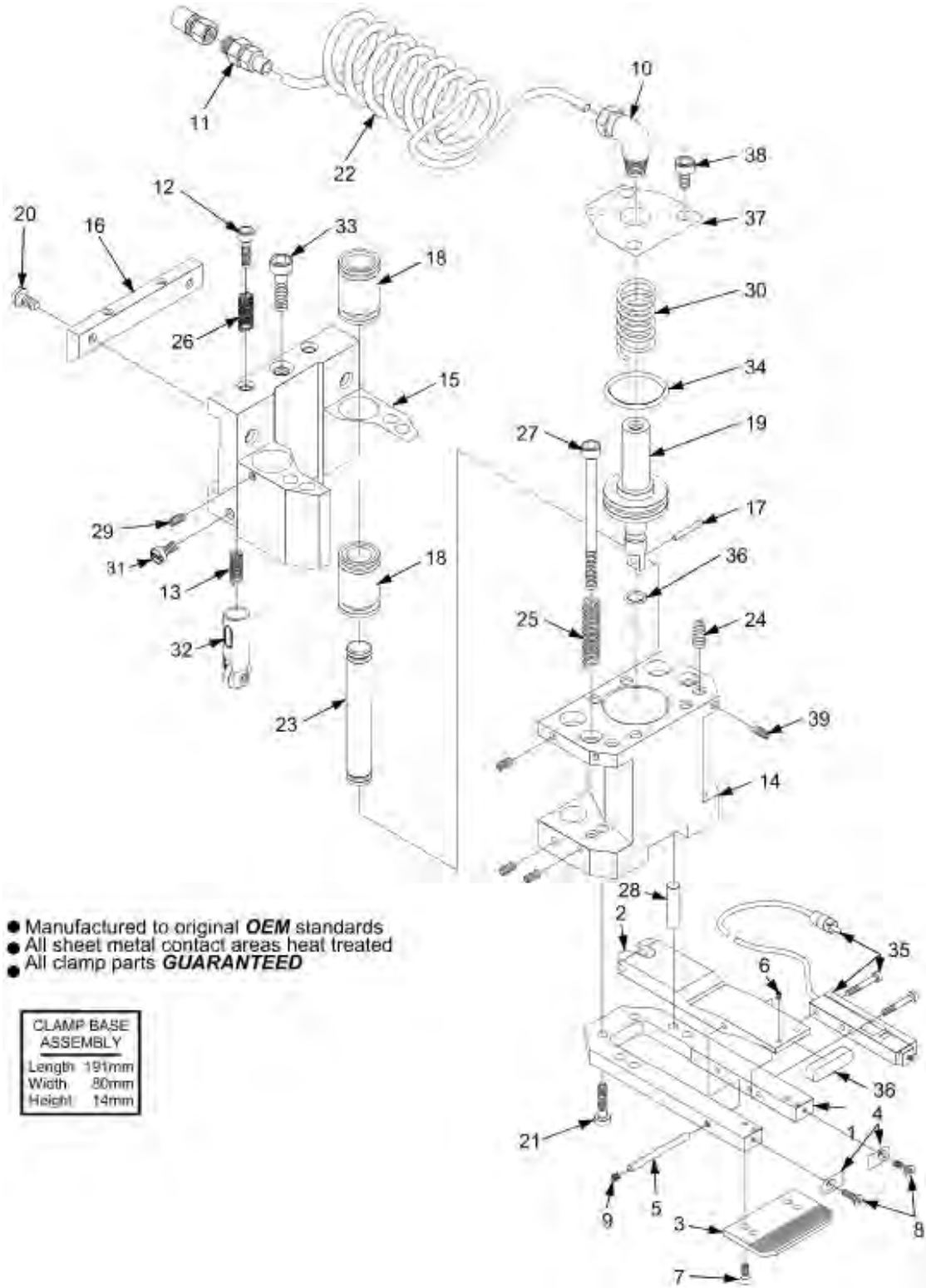
Toll Free
888-882-6001

PEGA ORIGINAL STYLE CLAMP - PNEUMATIC

API Drawing #	API Part #	AMADA Drawing #	Description	Price
1-8	A0202-CBA	816032	Clamp Base Assembly	\$269.00
1	A0302-B	816032	Clamp Base	140.00
2	A0402-CL	816028	Clamper	104.00
3	A0501-CP	816025	Clamp Plate	24.50
4	A0601-SP	816026	Stopper Plate	9.50
5	A0795	M6 X 80	Straight Pin	1.50
6	A0830	M5 x 6	Screw - M5x6 - 10 pcs -(Clamper Tip)	3.00
7	A0831	M5 x 12	Screw - M5x12-10 pcs -(Clamp Plate)	3.00
8	A0832	M4 x 10	Screw - M4x10-10 pcs -(Stopper Plate)	3.00
9	A0850	N/A	Urethane Boot (for Clamper Tip)	25.00
10	A0853	8635270D	Sheet Sensor (for Auto Loader)	165.00
11	A0843	N/A	Bushing	16.00
N/A	A0803	20SM	Coupler-Female	11.90
N/A	A0804	20SF (1/4")	Coupler-Male	4.90
N/A	A0811	KR10 x 20	Clamp Lever (Steel) 10mm	29.00
N/A	A0812	KR12 x 20	Clamp Lever (Steel) 12mm	29.00
N/A	A0840	N/A	Shims .010"- 10 pcs	16.00
N/A	A0841	N/A	Shims .003"- 10 pcs	16.00
N/A	A0842	N/A	Shims .005"- 10 pcs	16.00
N/A	A0871	6WPH200-1	Head	41.00
N/A	A4111	6 X 4	Vinyl Tubing 6 x 4mm/foot	1.49
N/A	A4155	KQL06-02S	Elbow	5.75



OCTO CLAMP



- Manufactured to original **OEM** standards
- All sheet metal contact areas heat treated
- All clamp parts **GUARANTEED**

CLAMP BASE ASSEMBLY
Length 191mm
Width 80mm
Height 14mm



Alternative Parts Inc.

REPLACEMENT PARTS FOR AMADA MACHINERY
7 Sawgrass Drive, Bellport, NY 11713 • www.ALTPARTS.COM

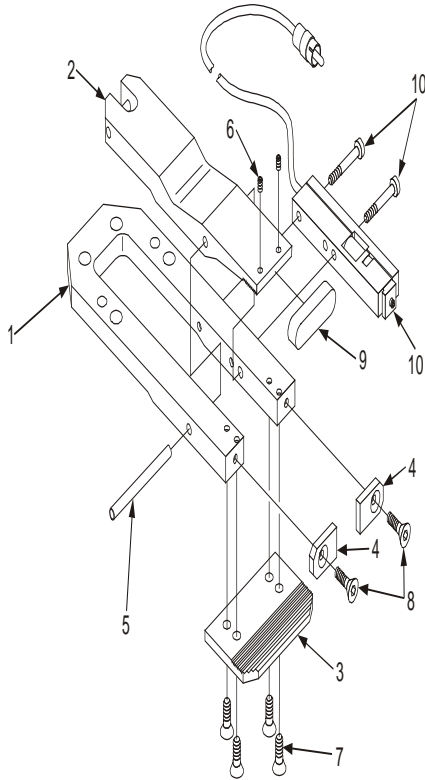
Toll Free
888-882-6001

OCTO CLAMP

API Drawing #	API Part #	AMADA Drawing #	Description	Price
1-39	A0103-CA	6010220	Complete Clamp Assembly	1,299.00
1-8	A0203-CBA	5033643	Clamp Base Assembly	269.00
N/A	A0203-CBAS	N/A	Clamp Base Assembly (accepts 3/8" material)	269.00
1	A0303-B	5033643	Clamp Base	\$141.00
2	A0403-CL	5033644	Clamper	100.00
3	A0501-CP	816025	Clamp Plate	24.50
4	A0601-SP	816026	Stopper Plate	9.50
5	A0794	M6X60	Straight Pin	1.50
6	A0830	M5 x 6	Screw - M5x6 - 10 pcs- (Clamper Tip)	3.00
7	A0831	M5 x 12	Screw - M5x12- 10 pcs- (Clamp Plate)	3.00
8	A0832	M4 x 10	Screw - M4x10- 10 pcs- (Stopper Plate)	3.00
9	A0835	N/A	Set Screw M8 x M8	.40
10	A4155	KQL06-02S	Elbow	5.75
11	A4123	KQH06-02S	Connector	6.90
12	A0887	P338135015	Shoulder Bolt	3.00
13	A0891	N/A	Spring	3.00
14	A0824	N/A	Clamp Body - Piston Side	499.00
15	A0823	N/A	Clamp Body - Dove Tail Side	499.00
16	A0881	0816004	Dove Tail Plate	44.00
17	A0882	P337020028	Pin	1.00
18	A0862	N/A	Linear Bearing	24.99
19	A0621	N/A	Piston	375.00
20	A0875	0816005	Bolt	9.90
21	A0895	N/A	Bolt M8 X 25	1.00
22	A0876	N/A	Coil Tubing	15.00
23	A0898	N/A	Rod	18.00
24	A0848	N/A	Set Screw M10 X 12	0.45
25	A0886	N/A	Spring	3.00
26	A0888	0816006	Spring	3.00
27	A0884	N/A	Bolt	1.00
28	A0966	N/A	Pin	3.00
29	A0889	N/A	Set Screw - M6X6 - 10 pcs	3.00
30	A0846	74161330/0806005	Cylinder Spring	19.00
31	A0859C	N/A	Set Bolt	3.00
32	A0859	74161389	Plunger Assembly	79.00
33	A0839d	N/A	Socket Cap Screw - 10 pcs	7.90
34	A9234	N/A	O-Ring P50A	1.50
35	A0855A	8635270D	Sheet Sensor (for Auto Loader)	165.00
36	A0850	N/A	Urethane Boot	25.00
37	A0878A	74335901/0826188	Cylinder Cap	150.00
38	A0895	N/A	Bolt	1.00
39	A0889	N/A	Set Screw pkg of 10	3.00
N/A	A0803	20SM	Coupler-Female (quick connect)	11.90
N/A	A0804	20PF (1/4")	Coupler-Male (quick connect)	4.90
N/A	A0840	N/A	Shims .010"- 10 pcs	16.00
N/A	A0841	N/A	Shims .003"- 10 pcs	16.00
N/A	A0842	N/A	Shims .005"- 10 pcs	16.00



ARIES 222, 224 CLAMP



- Manufactured to original **GENI** standards
- All sheet metal contact areas heat treated
- All clamp parts **GUARANTEED**

CLAMP BASE ASSEMBLY
Length 180mm
Width 64mm
Height 14mm



Alternative Parts Inc.

REPLACEMENT PARTS FOR AMADA MACHINERY
7 Sawgrass Drive, Bellport, NY 11713 • www.ALTPARTS.COM

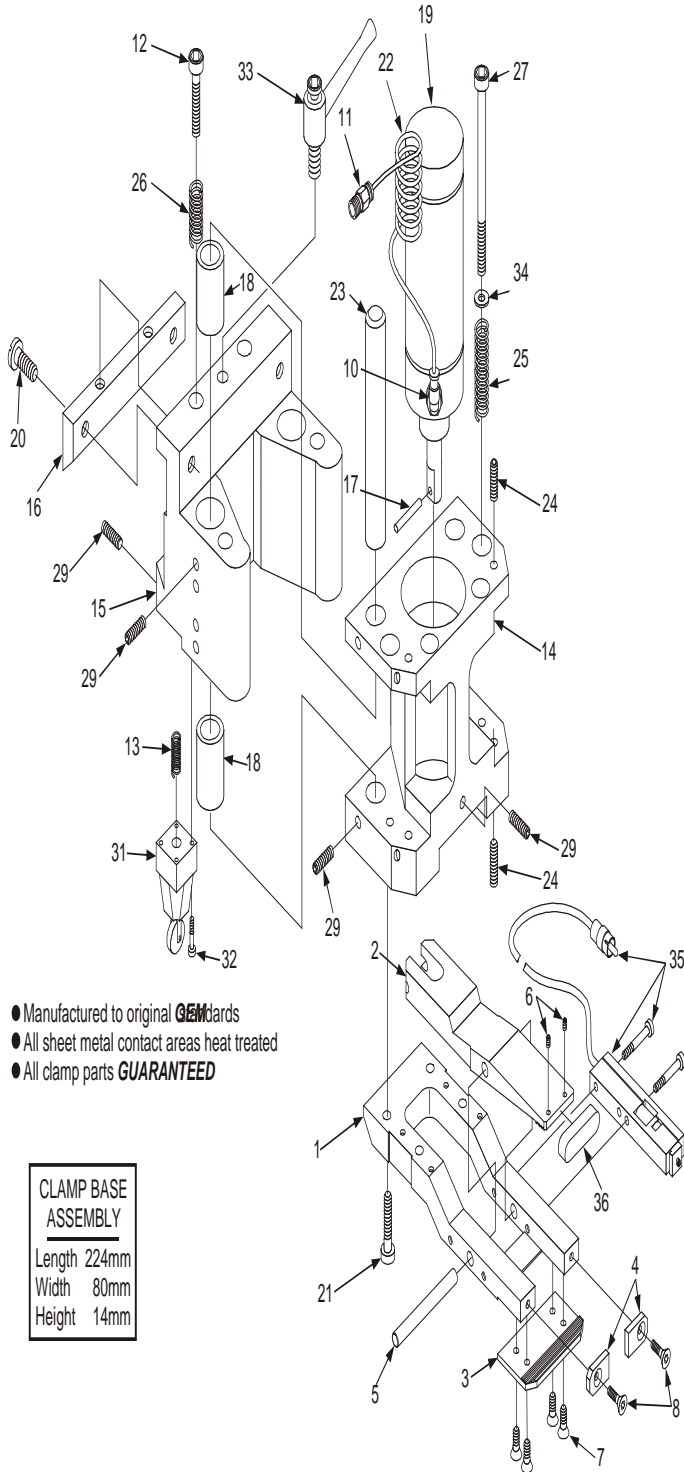
Toll Free
888-882-6001

ARIES 222, 224 CLAMP

API Drawing #	API Part #	AMADA Drawing #	Description	Price
1-8	A0204-CBA	6043408	Clamp Base Assembly	\$269.00
1	A0304-B	6043408	Clamp Base	154.00
2	A0404-CL	6043409	Clamper	108.00
3	A0502-CP	6043410	Clamp Plate	22.50
4	A0602-SP	6043411	Stopper Plate	8.00
5	A0794	M6 X 60	Straight Pin	1.50
6	A0830	M5 x 6	M5x6 Set Screw - 10 pcs (Clamper Tip)	3.00
7	A0831	M5 x 12	M5x12 Screw - 10 pcs (Clamp Plate)	3.00
8	A0832	M4 x 10	M4x10 Screw - 10 pcs (Stopper Plate)	3.00
10	A0855A	8635270D	Sheet Sensor (for Auto Loader)	165.00
N/A	A0803	20SM	Coupler-Female (quick connect)	11.90
N/A	A0804	20PF (1/4")	Coupler-Male (quick connect)	4.90
N/A	A0811	KR10X20	Clamp Lever (Steel) 10mm	29.00
N/A	A0812	KR12X20	Clamp Lever (Steel) 12mm	29.00
N/A	A0840	N/A	Shims .010" - 10 pcs	16.00
N/A	A0841	N/A	Shims .003" - 10 pcs	16.00
N/A	A0842	N/A	Shims .005" - 10 pcs	16.00
N/A	A4111	6 X 4	Vinyl Tubing 6 x 4mm / foot	1.49
N/A	A4155	KQL06-02S	Elbow	5.75



LYRA, COMA, VELA - THIN CLAMP – PNEUMATIC



- Manufactured to original **GEM** standards
- All sheet metal contact areas heat treated
- All clamp parts **GUARANTEED**

CLAMP BASE
ASSEMBLY
Length 224mm
Width 80mm
Height 14mm



Alternative Parts Inc.

REPLACEMENT PARTS FOR AMADA MACHINERY
7 Sawgrass Drive, Bellport, NY 11713 • www.ALTPARTS.COM

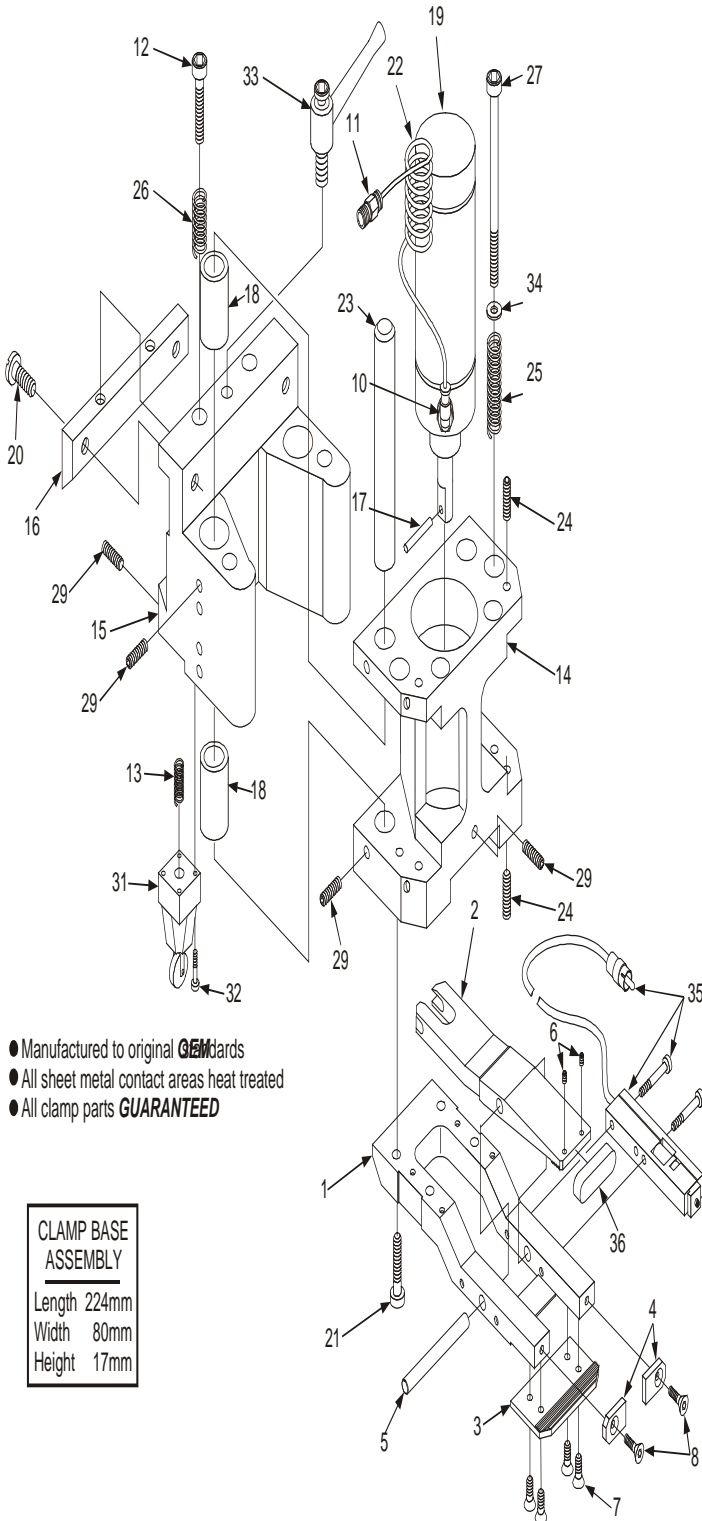
Toll Free
888-882-6001

LYRA, COMA, VELA - THIN CLAMP – PNEUMATIC

API Drawing #	API Part #	AMADA Drawing #	Description	Price
1-8	A0205-CBA	806067	Clamp Base Assembly	\$329.00
1-34	A0105-CA	806080	Complete Clamp Assembly	1,299.00
1	A0305-B	806067	Clamp Base	209.00
2	A0405-CL	826194	Clamper	99.00
3	A0504-CP	826076	Clamp Plate	27.50
4	A0603-SP	826092a	Stopper Plate	15.00
5	A0795	M6 X80	Straight Pin	1.50
6	A0830	M5 x 6	Screw -M5x6 - 10 pcs (Clamper Tip)	3.00
7	A0831	M5 x 12	Screw -M5x12 - 10 pcs (Clamp Plate)	3.00
8	A0832	M4 x 10	Screw -M4x10 - 10 pcs (Stopper Plate)	3.00
10	A4155	KQL06-02S	Elbow	5.75
11	A4123	KQH06-02S	Connector	6.90
12	A0887	P338135015	Shoulder Bolt	3.00
13	A0891	N/A	Spring	3.00
14	A0872B	N/A	Clamp Body - Piston Side	499.00
15	A0880	N/A	Clamp Body - Dove Tail Side	499.00
16	A0881	0816004	Dove Tail Plate	44.00
17	A0882	P337020028	Pin	1.00
18	A0869	N/A	Linear Bearing	28.99
19	A0870	N/A	Air Cylinder	149.00
20	A0875	0816005	Bolt	9.90
21	A0895	N/A	Bolt	1.00
22	A0876	N/A	Coil Tubing	15.00
23	A0883	N/A	Rod	12.00
24	A0831B	P003570059	Set Screw M6X8	0.50
25	A0886	N/A	Spring	3.00
26	A0888	0816006	Spring	3.00
27	A0884	N/A	Bolt	1.00
29	A0889	N/A	Set Screw - M6X6 - 10 pcs	3.00
30	A0835	N/A	Set Screw - M8X8	0.40
31	A0871	FOR-WLD2	Head	41.00
32	A0890	N/A	Bolt - 10pcs	3.00
33	A0812	806075	Clamp Lever (Steel) 12mm	29.00
34	A0885	N/A	Washer - 10pcs	3.00
35	A0855A	8635270D	Sheet Sensor (for Auto Loader)	165.00
36	A0850	N/A	Urethane Boot (for Clamper Tip)	25.00
N/A	A0803	20SM	Coupler-Female (quick connect)	11.90
N/A	A0804	20PF 9(1/4")	Coupler-Male (quick connect)	4.90
N/A	A0840	N/A	Shims .010"- 10 pcs	16.00
N/A	A0841	N/A	Shims .003"- 10 pcs	16.00
N/A	A0842	N/A	Shims .005"- 10 pcs	16.00



VELA, COMA - THICK CLAMP – PNEUMATIC





Alternative Parts Inc.

REPLACEMENT PARTS FOR AMADA MACHINERY
7 Sawgrass Drive, Bellport, NY 11713 • www.ALTPARTS.COM

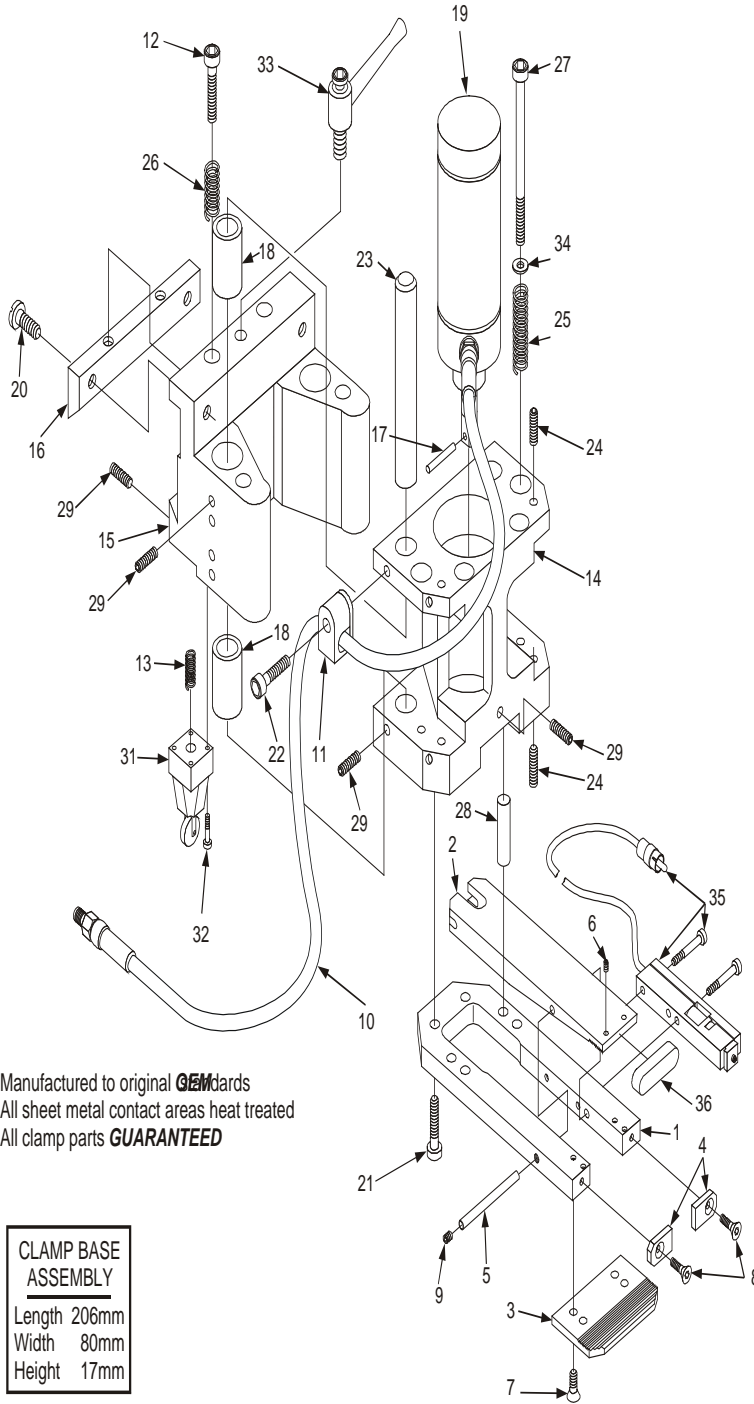
Toll Free
888-882-6001

VELA, COMA - THICK CLAMP – PNEUMATIC

API Drawing #	API Part #	AMADA Drawing #	Description	Price
1-8	A0206-CBA	826031	Clamp Base Assembly	\$319.00
1-34	A0106-CA	826030B	Complete Clamp Assembly	1,299.00
1	A0306-B	826031	Clamp Base	199.00
2	A0406-CL	826032	Clamper	89.00
3	A0504-CP	826076	Clamp Plate	27.50
4	A0603-SP	826092	Stopper Plate	15.00
5	A0795	M6 X 80	Straight Pin	1.50
6	A0830	M5 X 6	Set Screw-10 pcs- M5x6 -(Clamper Tip)	3.00
7	A0831	M5 X 12	Screw - 10 pcs- M5x12 -(Clamp Plate)	3.00
8	A0831	M5 X 12	Screw - 10 pcs- M5x12 -(Stopper Plate)	3.00
10	A4155	KQL06-02S	Elbow	5.75
11	A4123	KQH06-02S	Connector	6.90
12	A0887	P338135015	Shoulder Bolt	3.00
13	A0891	N/A	Spring	3.00
14	A0872B	N/A	Clamp Body - Piston Side	499.00
15	A0880	N/A	Clamp Body - Dove Tail Side	499.00
16	A0881	0816004	Dove Tail Plate	44.00
17	A0882	P337020028	Pin	1.00
18	A0869	N/A	Linear Bearing	28.99
19	A0870	N/A	Air Cylinder	149.00
20	A0875	0816005	Bolt	9.90
21	A0895	N/A	Bolt	1.00
22	A0876	N/A	Coil Tubing	15.00
23	A0883	N/A	Rod	12.00
24	A0831B	P330570059	Set Screw M6X8	0.50
25	A0886	N/A	Spring	3.00
26	A0888	0816006	Spring	3.00
27	A0884	N/A	Bolt	1.00
29	A0889	N/A	Set Screw - M6X6 - 10 pcs	3.00
30	A0835	N/A	Set Screw - M8X8	0.40
31	A0871	FOR-WLD2	Head	41.00
32	A0890	N/A	Bolt - 10pcs	3.00
33	A0812	806075	Clamp Lever (Steel) 12mm	29.00
34	A0885	N/A	Washer - 10pcs	3.00
35	A0855A	8635270-D	Sheet Sensor (for Auto Loader)	165.00
36	A0850	N/A	Urethane Boot (for Clamper Tip)	25.00
N/A	A0803	20SM	Coupler-Female (quick connect)	11.90
N/A	A0804	20PF (1/4")	Coupler-Male	4.90
N/A	A0840	N/A	Shims .010"- 10 pcs	16.00
N/A	A0841	N/A	Shims .003"- 10 pcs	16.00
N/A	A0842	N/A	Shims .005"- 10 pcs	16.00



COMA – EXTERNAL CYLINDER - HYDRAULIC





Alternative Parts Inc.

REPLACEMENT PARTS FOR AMADA MACHINERY
7 Sawgrass Drive, Bellport, NY 11713 • www.ALTPARTS.COM

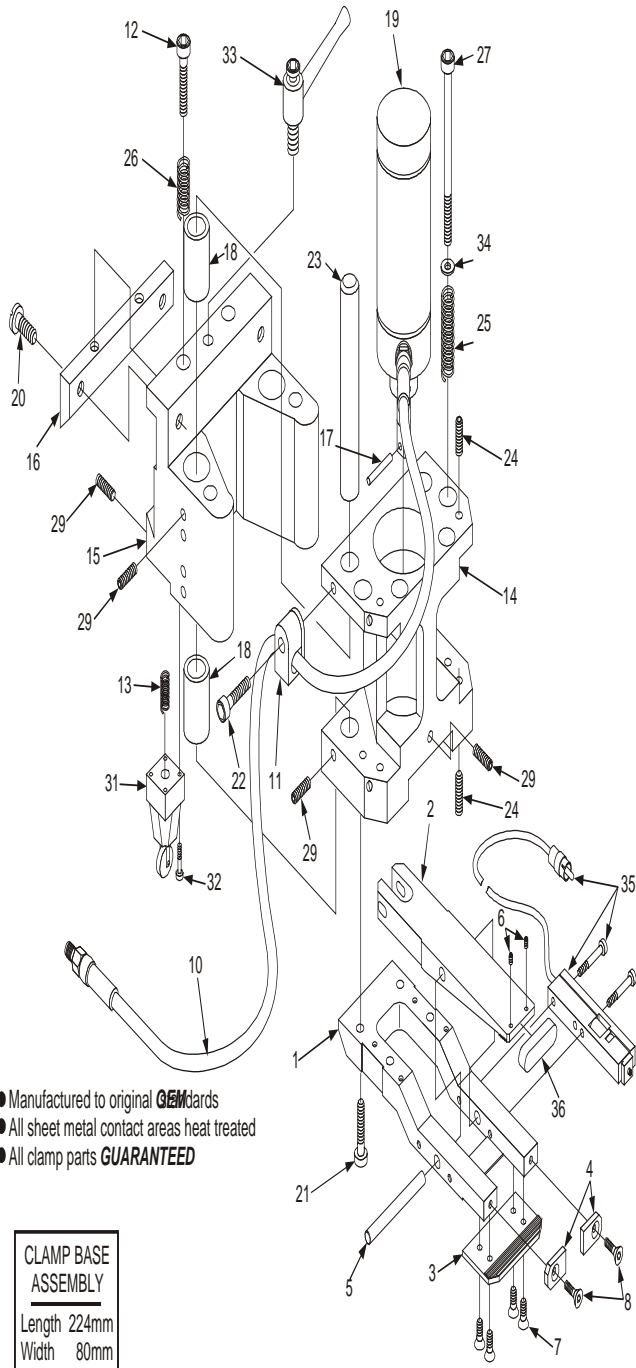
Toll Free
888-882-6001

COMA – EXTERNAL CYLINDER - HYDRAULIC

API Drawing #	API Part #	AMADA Drawing #	Description	Price
1-9	A0207-CBA	826193	Clamp Base Assembly	\$289.00
1-34	A0107-CA	826190	Complete Clamp Assembly	1,399.00
1	A0307-B	826193	Clamp Base	155.00
2	A0407-CL	826194	Clamper	99.00
3	A0501-CP	816025	Clamp Plate	24.50
4	A0601-SP	816026	Stopper Plate	9.50
5	A0796	M8 X 60	Straight Pin	1.50
6	A0830	M5 X 6	Set Screw- 10 pcs- M5X6 (Clamper Tip)	3.00
7	A0831	M5 X 12	Screw - 10 pcs- M5X12- (Clamp Plate)	3.00
8	A0893	M5 x12	Screw – M5 X 12 Pkg. 10	2.00
9	A0836	M10 x 12	Screw - M10 X 12 each	1.00
10	A8227	827577	Hydraulic Hose	43.00
11	A0896	N/A	Hose Clamp Holder	3.00
12	A0887	P338135015	Shoulder Bolt	3.00
13	A0891	N/A	Spring	3.00
14	A0872A	N/A	Clamp Body - Piston Side	499.00
15	A0880	N/A	Clamp Body - Dove Tail Side	499.00
16	A0881	0816004	Dove Tail Plate	44.00
17	A0873i	N/A	Pin	3.00
18	A0869	N/A	Linear Bearing	28.99
19	A0873A	N/A	Hydraulic Cylinder	279.00
20	A0875	0816005	Bolt	9.90
21	A0895	N/A	Bolt	1.00
22	A0834A	N/A	Screw: 10 Pcs	1.90
23	A0883	N/A	Rod	12.00
24	A0831B	P330570059	Set Screw M6X8	0.50
25	A0886	N/A	Spring	3.00
26	A0888	0816006	Spring	3.00
27	A0884	N/A	Bolt	1.00
29	A0889	N/A	Set Screw - M6X6 - 10 pcs	3.00
31	A0871	6WPH200-1	Head	41.00
32	A0890	N/A	Bolt - 10pcs	3.00
33	A0812	KR12 X 20	Clamp Lever (Steel) 12mm	29.00
34	A0885	N/A	Washer - 10pcs	3.00
35	A0855A	8635270D	Sheet Sensor (for Auto Loader)	165.00
36	A0850	N/A	Urethane Boot (for Clamper Tip)	25.00
N/A	A0805	2HS (1/4")	Coupler-Female (quick connect)	49.00
N/A	A0806	2HP (1/4")	Coupler-Male (quick connect)	21.90
N/A	A0811	KR10 X 20	Clamp Lever (Steel) 10mm	29.00
N/A	A0840	N/A	Shims .010"- 10 pcs	16.00
N/A	A0841	N/A	Shims .003"- 10 pcs	16.00
N/A	A0842	N/A	Shims .005"- 10 pcs	16.00
N/A	A8200	74166005	Hydraulic Clamp Pump Unit	2,899.00



COMA - ORIGINAL STYLE CLAMP - HYDRAULIC



- Manufactured to original **GEN** standards
- All sheet metal contact areas heat treated
- All clamp parts **GUARANTEED**

CLAMP BASE ASSEMBLY	
Length	224mm
Width	80mm
Height	17mm



Alternative Parts Inc.

REPLACEMENT PARTS FOR AMADA MACHINERY
7 Sawgrass Drive, Bellport, NY 11713 • www.ALTPARTS.COM

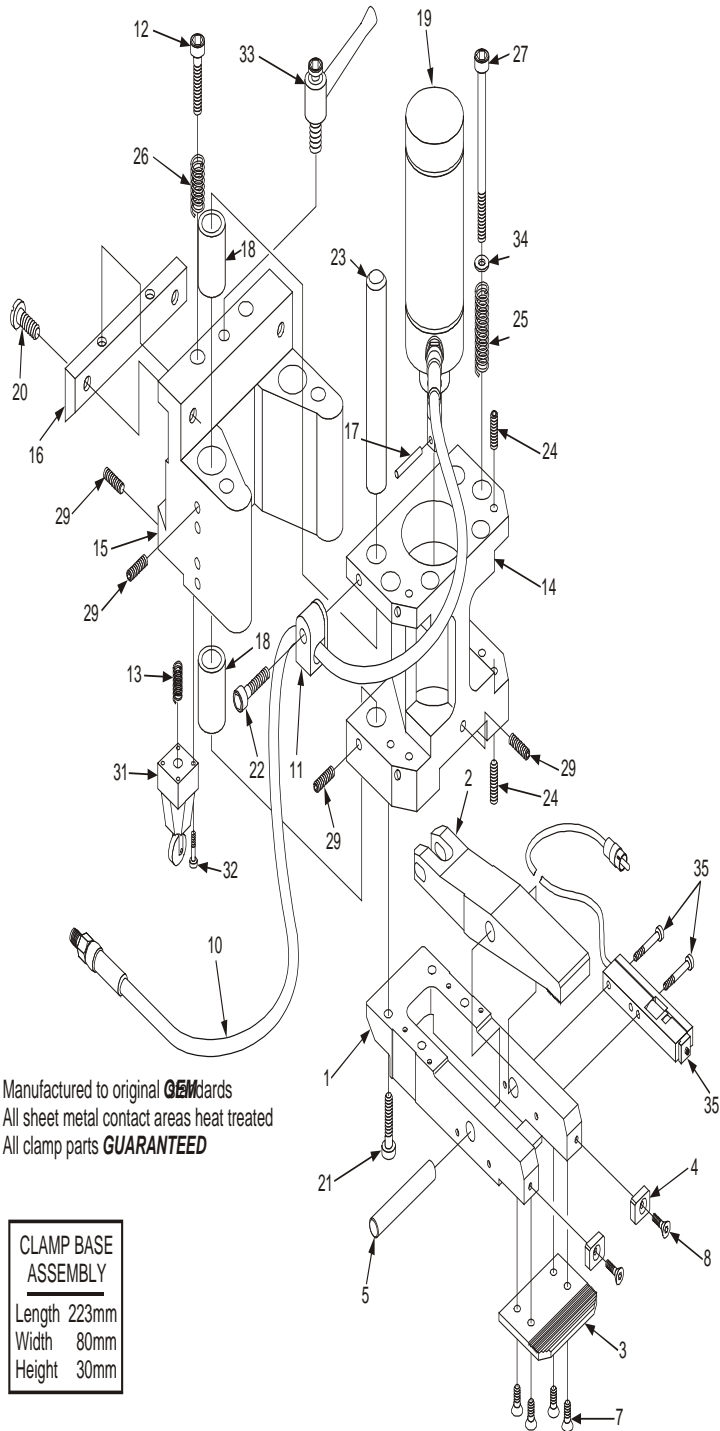
Toll Free
888-882-6001

COMA - ORIGINAL STYLE CLAMP - HYDRAULIC

API Drawing #	API Part #	AMADA Drawing #	Description	Price
1-8	A0208-CBA	826074	Clamp Base Assembly	\$339.00
1-34	A0108-CA	826070D	Complete Clamp Assembly	1,299.00
1	A0308-B	826074B	Clamp Base	214.00
2	A0408-CL	826075A	Clamper	114.00
3	A0504-CP	826076	Clamp Plate	27.50
4	A0603-SP	826092	Stopper Plate	15.00
5	A0797	8 X 80	Straight Pin	1.96
6	A0830	M5 x 6	Set Screw- 10 pcs-M5X6 (Clamper Tip)	3.00
7	A0893	M5 x 12	Screw - 10 pcs-M5X12 (Clamp Plate)	2.00
8	A0893	M5 X 12	Screw - 10 pcs-M5X12 (Stopper Plate)	2.00
10	A8227	827577	Hydraulic Hose	43.00
11	A0896	N/A	Hose Clamp Holder	3.00
12	A0887	P338135015	Shoulder Bolt	3.00
13	A0891	N/A	Spring	3.00
14	A0872B	N/A	Clamp Body - Piston Side	499.00
15	A0880	N/A	Clamp Body - Dove Tail Side	499.00
16	A0881	0816004	Dove Tail Plate	44.00
17	A0873i	N/A	Pin	3.00
18	A0869	N/A	Linear Bearing	28.99
19	A0873A	N/A	Hydraulic Cylinder	279.00
20	A0875	0816005	Bolt	9.90
21	A0895	N/A	Bolt	1.00
22	A0834A	N/A	Screw 10 Pcs	1.90
23	A0883	N/A	Rod	12.00
24	A0831B	P330570059	Set Screw M6X8	0.50
25	A0886	N/A	Spring	3.00
26	A0888	0816006	Spring	3.00
27	A0884	N/A	Bolt	1.00
29	A0889	N/A	Set Screw - M6X6 - 10 pcs	3.00
31	A0871	6WPH200-1	Head	41.00
32	A0890	N/A	Bolt - 10pcs	3.00
33	A0812	KR12 X 20	Clamp Lever (Steel) 12mm	29.00
34	A0885	N/A	Washer - 10pcs	3.00
35	A0855A	8635270D	Sheet Sensor (for Auto Loader)	165.00
36	A0850	N/A	Urethane Boot (for Clamper Tip)	25.00
N/A	A0805	2HS (1/4")	Coupler-Female (quick connect)	49.00
N/A	A0806	2HP (1/4")	Coupler-Male (quick connect)	21.90
N/A	A0840	N/A	Shims .010"- 10 pcs	16.00
N/A	A0841	N/A	Shims .003"- 10 pcs	16.00
N/A	A0842	N/A	Shims .005"- 10 pcs	16.00
N/A	A8200	74166005	Hydraulic Clamp Pump Unit	2,899.00



COMA - THICK CLAMP - HYDRAULIC



- Manufactured to original **GEN** cards
- All sheet metal contact areas heat treated
- All clamp parts **GUARANTEED**

CLAMP BASE ASSEMBLY	
Length	223mm
Width	80mm
Height	30mm



Alternative Parts Inc.

REPLACEMENT PARTS FOR AMADA MACHINERY
7 Sawgrass Drive, Bellport, NY 11713 • www.ALTPARTS.COM

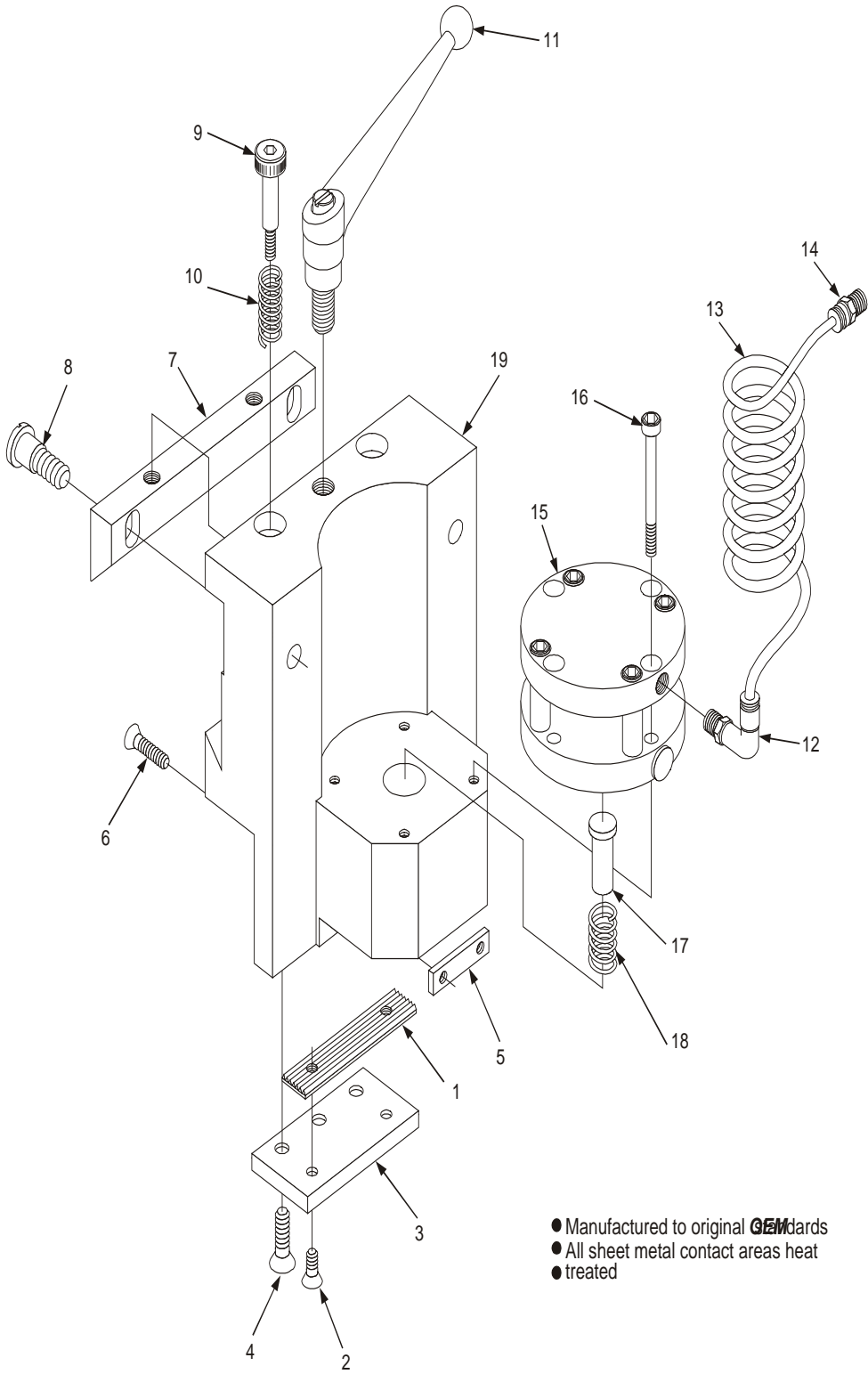
Toll Free
888-882-6001

COMA - THICK CLAMP - HYDRAULIC

API Drawing #	API Part #	AMADA Drawing #	Description	Price
1-8	A0209-CBA	826044	Clamp Base Assembly	\$499.00
1-34	A0109-CA	826040	Complete Clamp Assembly	1,599.00
1	A0309-B	826044	Clamp Base	349.00
2	A0409-CL	826054	Clamper	109.00
3	A0505-CP	826046	Clamp Plate	69.00
4	A0604-SP	826043	Stopper Plate	15.00
5	A0798	M13 X 80	Straight Pin	9.00
7	A0833	M6 x 18	Screw - 10 pcs-M6X18 (Clamp Plate)	4.00
8	A0833	M6 x 18	Screw - 10 pcs-M6X18 (Stopper Plate)	4.00
10	A8227	827577	Hydraulic Hose	43.00
11	A0896	N/A	Hose Clamp Holder	3.00
12	A0887	P338135015	Shoulder Bolt	3.00
13	A0891	N/A	Spring	3.00
14	A0872B	N/A	Clamp Body - Piston Side	499.00
15	A0880	N/A	Clamp Body - Dove Tail Side	499.00
16	A0881	0816004	Dove Tail Plate	44.00
17	A0873i	N/A	Pin	3.00
18	A0869	N/A	Linear Bearing	28.99
19	A0873A	N/A	Hydraulic Cylinder	279.00
20	A0875	0816005	Bolt	9.90
21	A0895	N/A	Bolt	1.00
22	A0834A	N/A	Screw - 10 pcs	1.90
23	A0883	N/A	Rod	12.00
24	A0831B	P330570059	Set Screw M6X8	0.50
25	A0886	N/A	Spring	3.00
26	A0888	0816006	Spring	3.00
27	A0884	N/A	Bolt	1.00
29	A0889	N/A	Set Screw - M6X6 - 10 pcs	3.00
31	A0871	6WPH200-1	Head	41.00
32	A0890	N/A	Bolt - 10pcs	3.00
33	A0812	KR12 X 20	Clamp Lever	29.00
34	A0885	N/A	Washer - 10pcs	3.00
35	A0855A	8635270D	Sheet Sensor (for Auto Loader)	165.00
N/A	A0805	2HS (1/4")	Coupler-Female (quick connect)	49.00
N/A	A0806	2HP (1/4")	Coupler-Male (quick connect)	21.90
N/A	A0840	N/A	Shims .010" - 10 pcs	16.00
N/A	A0841	N/A	Shims .003" - 10 pcs	16.00
N/A	A0842	N/A	Shims .005" - 10 pcs	16.00
N/A	A8200	74166005	Hydraulic Clamp Pump Unit	2,899.00



COMA, VELA, LYRA, PEGA - STUBBY CLAMP



- Manufactured to original **GEM** standards
- All sheet metal contact areas heat treated



Alternative Parts Inc.

REPLACEMENT PARTS FOR AMADA MACHINERY
7 Sawgrass Drive, Bellport, NY 11713 • www.ALTPARTS.COM

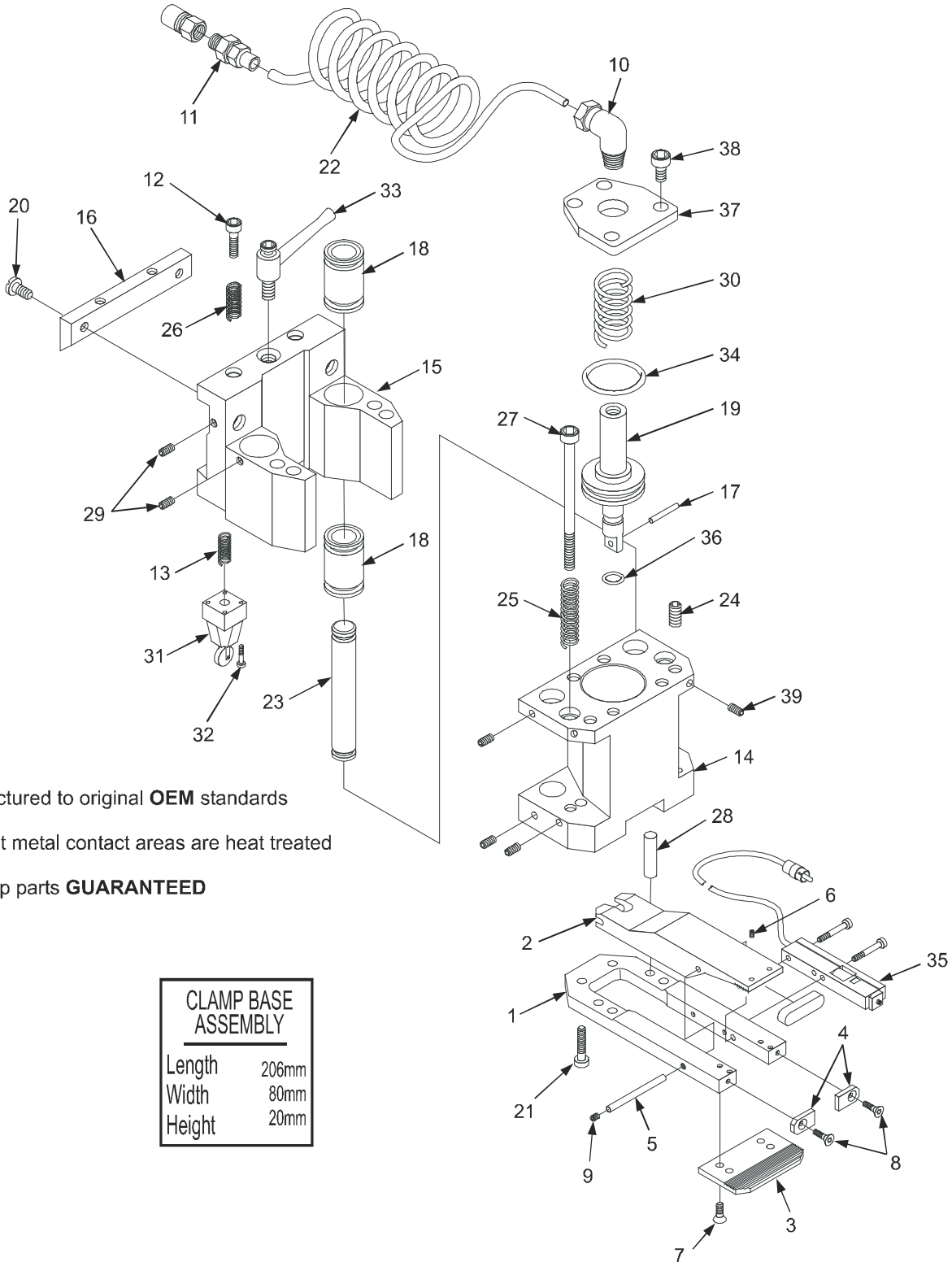
Toll Free
888-882-6001

COMA, VELA, LYRA, PEGA - STUBBY CLAMP

API Drawing #	API Part #	AMADA Drawing #	Description	Price
1-19	A0110-CAA	N/A	Complete Clamp Assembly Pneumatic	\$749.00
1	A0943	N/A	Clamp Plate	20.00
2	A0832	N/A	Screw M4 X 10, package of 10	3.00
3	A0942	N/A	Back Up Plate	20.00
4	A0827	N/A	Screw M6 X 16	3.00
5	A0941	N/A	Stopper	18.00
6	A0937	N/A	Screw M5 X 20, package of 10	3.00
7	A0881	0816004	Dove Tail Plate	44.00
8	A0875	0816005	Bolt	9.90
9	A0887	P338135015	Shoulder Bolt	3.00
10	A0888	0816006	Spring	3.00
11	A0812	N/A	Clamp Lever (Steel) 12mm	29.00
12	A4153	N/A	Elbow Connector	5.90
13	A0876	N/A	Clamp Coil Tubing	15.00
14	A4123	N/A	Connector	6.90
15	A0938	N/A	Air Cylinder	129.00
16	A0936	N/A	Screw M5 X 55	3.00
17	A0940	N/A	Plunger Clamp	20.00
18	A0891	N/A	Spring	3.00
19	A0968	N/A	Lower Unit	399.00
N/A	A0803	20SM	Coupler-Female	11.90
N/A	A0804	20PF (1/4")	Coupler-Male	4.90



LASER CLAMP - APELIO and PULSAR – 10mm



- Manufactured to original **OEM** standards
- All sheet metal contact areas are heat treated
- All clamp parts **GUARANTEED**

CLAMP BASE ASSEMBLY	
Length	206mm
Width	80mm
Height	20mm



Alternative Parts Inc.

REPLACEMENT PARTS FOR AMADA MACHINERY
7 Sawgrass Drive, Bellport, NY 11713 • www.ALTPARTS.COM

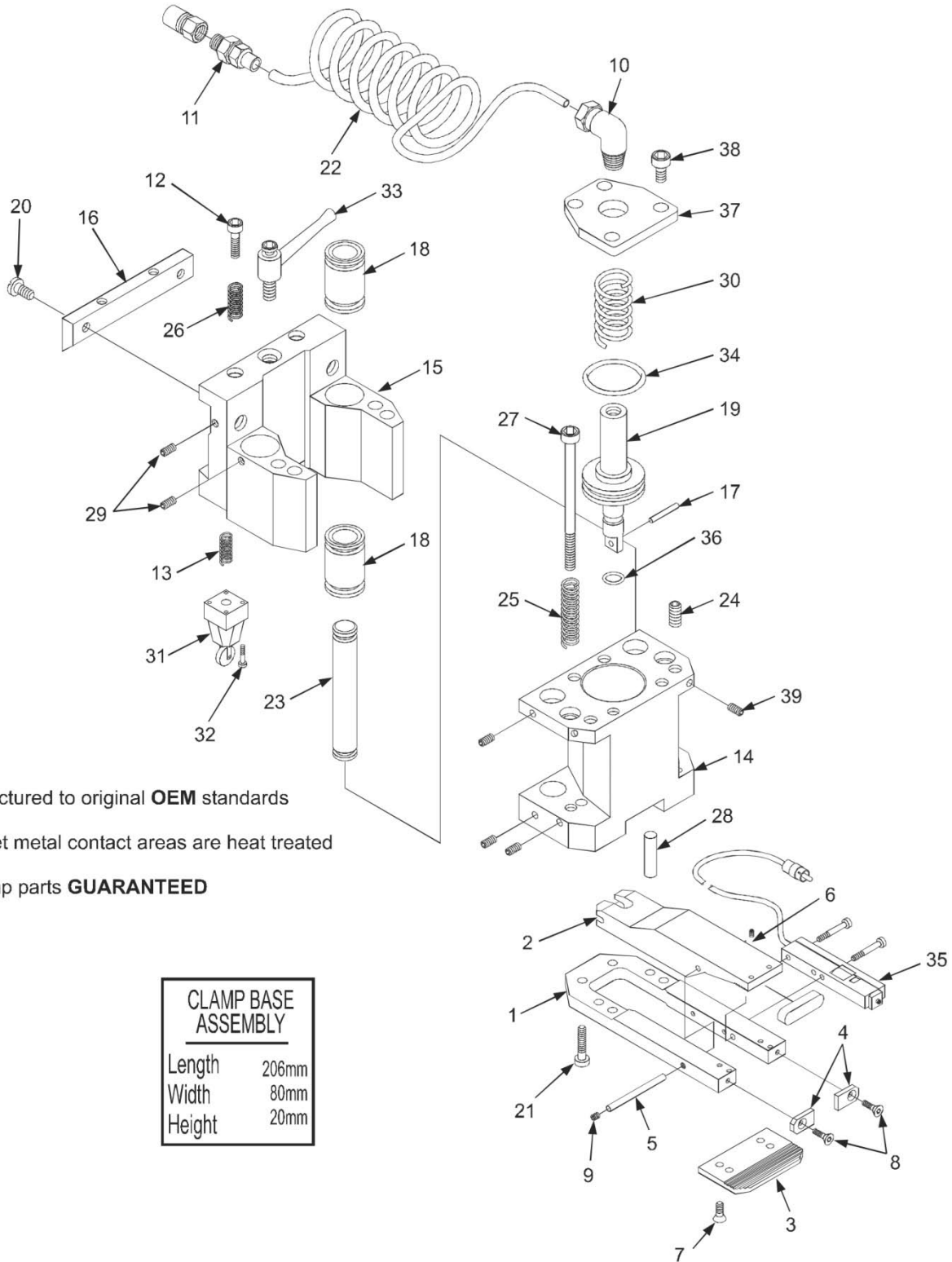
Toll Free
888-882-6001

LASER CLAMP - APELIO and PULSAR – 10mm

API Drawing #	API Part #	AMADA Drawing #	Description	Price
1-9	A0210-CBA	1662497	Clamp Base Assembly, 10mm Open Height	\$499.00
1-34	A0112-CA	1662495	Complete Clamp Assembly, 10mm Open Height	1,399.00
1	A0310-B	1662497	Clamp Base	279.00
2	A0410-CL	1662498	Clamper	199.00
3	A0501-CP	1662499	Clamp Plate	24.50
4	A0605-SP	N/A	Stopper Plate	30.00
5	A0794	M6X60	Straight Pin	1.50
6	A0830	M5 x 6	Screw - M5x6 - 10 pcs (Clamper Tip)	3.00
7	A0831	M5 x 12	Screw - M5x12- 10 pcs (Clamp Plate)	3.00
8	A0832	M4 x 10	Screw - M4x10- 10 pcs (Stopper Plate)	3.00
9	A0835	M8 x 8	Set Screw – M8x8	0.40
10	A4155	KQL06-02S	Elbow	5.75
11	A4123	KQH06-02S	Connector	3.90
12	A0887	P338135015	Shoulder Bolt	3.00
13	A0891	N/A	Spring	3.00
14	A0874A	N/A	Clamp Body - Piston Side	499.00
15	A0879	N/A	Clamp Body - Dove Tail Side	499.00
16	A0881	0816004	Dove Tail Plate	44.00
17	A0882	P337020028	Pin	1.00
18	A0862	N/A	Linear Bearing	24.99
19	A0622	N/A	Piston	375.00
20	A0875	0816005	Bolt	9.90
21	A0895	N/A	Bolt	1.00
22	A0876	N/A	Coil Tubing	15.00
23	A0898	N/A	Rod	18.00
24	A0831B	P330570059	Set Screw M6X8	0.50
25	A0877	0826218	Spring	5.00
26	A0888	0816006	Spring	3.00
27	A0839	P330223019	Bolt (pkg. 10)	7.90
28	A0966	N/A	Pin	3.00
29	A0889	N/A	Set Screw - M6X6 - 10 pcs	3.00
30	A0846a	N/A	Piston Spring	19.00
31	A0871	6WPH200-1	Head	41.00
32	A0890	N/A	Bolt - 10pcs	3.00
33	A0812	KR12 x 20	Clamp Lever (Steel) 12mm	29.00
34	A9237	P50A/P590000050	Washer - 10pcs	3.00
35	A0855A	8635270D	Sheet Sensor (for Auto Loader)	165.00
36	A9220	P-12/P590000012	O-Ring	0.75
37	A0878	74335901/0826188	Cylinder Cap	150.00
38	A0839q	N/A	M6 x 16 Cap Head Screw (pkg 10)	7.90
39	A0825	N/A	M4 x 6 Cone Point Set Screw (pkg 10)	3.00
N/A	A0803	20SM	Coupler-Female	11.90
N/A	A0804	20PF (1/4")	Coupler-Male	4.90
N/A	A0811	KR10 x 20	Clamp Lever 10mm	29.00
N/A	A0840	N/A	Shims .010"- 10 pcs	16.00
N/A	A0841	N/A	Shims .003"- 10 pcs	16.00
N/A	A0842	N/A	Shims .005"- 10 pcs	16.00



LASER CLAMP - APELIO and PULSAR – 13mm



- Manufactured to original **OEM** standards
- All sheet metal contact areas are heat treated
- All clamp parts **GUARANTEED**

CLAMP BASE ASSEMBLY	
Length	206mm
Width	80mm
Height	20mm



Alternative Parts Inc.

REPLACEMENT PARTS FOR AMADA MACHINERY
7 Sawgrass Drive, Bellport, NY 11713 • www.ALTPARTS.COM

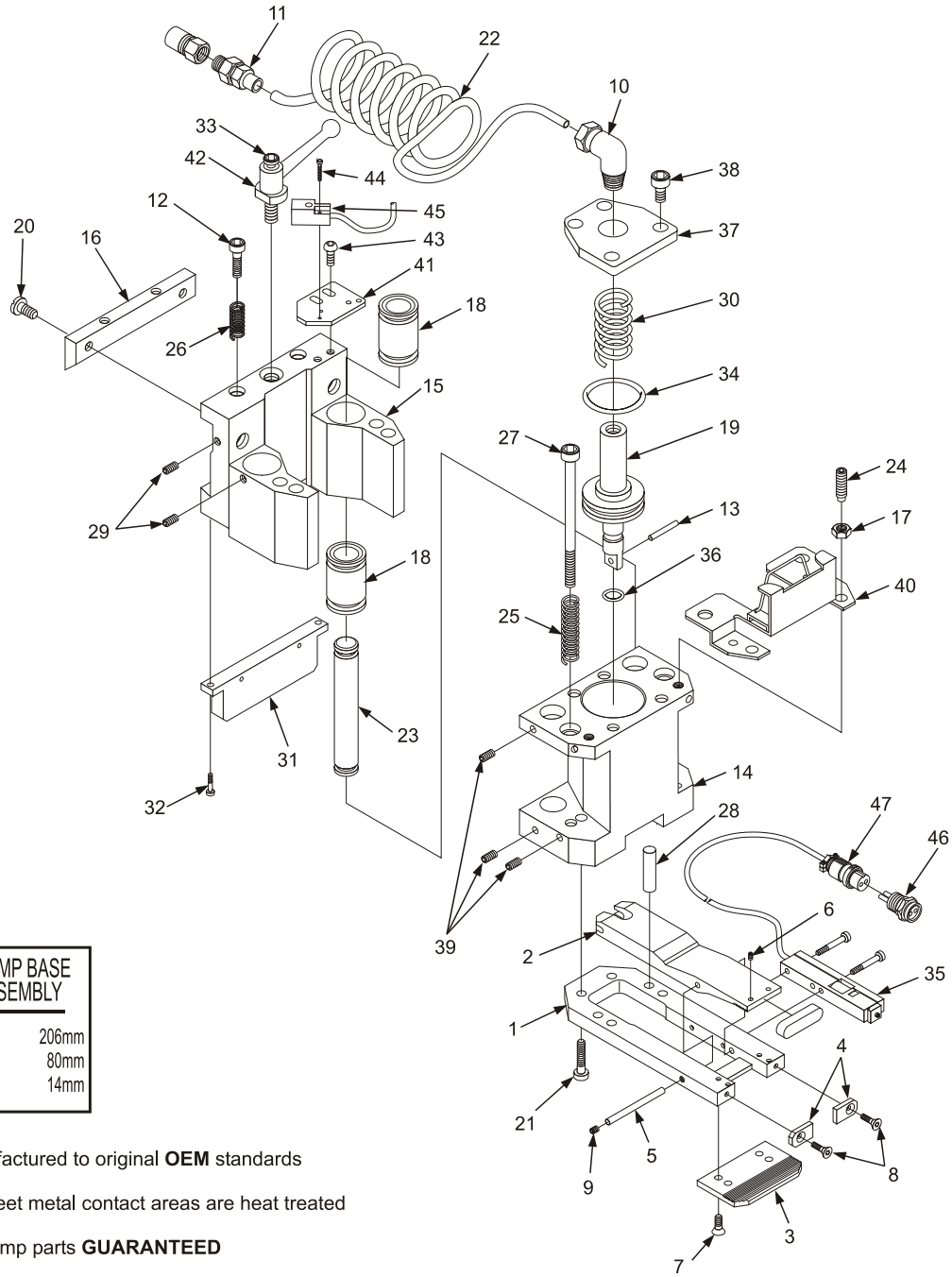
Toll Free
888-882-6001

LASER CLAMP - APELIO and PULSAR – 13mm

API Drawing #	API Part #	AMADA Drawing #	Description	Price
1-9	A0212-CBA	1662497	Clamp Base Assembly, 13mm Open Height	\$799.00
1-34	A0115-CA	1662495	Complete Clamp Assembly, 13mm Open Height	1,799.00
1	A0310-B	1662497	Clamp Base	279.00
2	A0411-CL	1662498	Clamper	250.00
3	A0501-CP	1662499	Clamp Plate	24.50
4	A0605-SP	N/A	Stopper Plate	30.00
5	A0794	M6X60	Straight Pin	1.50
6	A0830	M5 x 6	Screw - M5x6 - 10 pcs (Clamper Tip)	3.00
7	A0831	M5 x 12	Screw - M5x12- 10 pcs (Clamp Plate)	3.00
8	A0832	M4 x 10	Screw - M4x10- 10 pcs (Stopper Plate)	3.00
9	A0835	M8 x 8	Set Screw – M8x8	0.40
10	A4155	KQL06-02S	Elbow	5.75
11	A4123	KQH06-02S	Connector	3.90
12	A0887	P338135015	Shoulder Bolt	3.00
13	A0891	N/A	Spring	3.00
14	A0874A	N/A	Clamp Body - Piston Side	499.00
15	A0879	N/A	Clamp Body - Dove Tail Side	499.00
16	A0881	0816004	Dove Tail Plate	44.00
17	A0882	P337020028	Pin	1.00
18	A0862	N/A	Linear Bearing	24.99
19	A0622	N/A	Piston	375.00
20	A0875	0816005	Bolt	9.90
21	A0895	N/A	Bolt	1.00
22	A0876	N/A	Coil Tubing	15.00
23	A0898	N/A	Rod	18.00
24	A0831B	P330570059	Set Screw M6X8	0.50
25	A0877	0826218	Spring	5.00
26	A0888	0816006	Spring	3.00
27	A0839	P330223019	Bolt (pkg. 10)	7.90
28	A0966	N/A	Pin	3.00
29	A0889	N/A	Set Screw - M6X6 - 10 pcs	3.00
30	A0846A	N/A	Spring	19.00
31	A0871	6WPH200-1	Head	41.00
32	A0890	N/A	Bolt - 10pcs	3.00
33	A0812	KR12 x 20	Clamp Lever (Steel) 12mm	29.00
34	A9237	P50A/P590000050	Washer - 10pcs	3.00
35	A0855A	8635270D	Sheet Sensor (for Auto Loader)	165.00
36	A9220	P-12/P590000012	O-Ring	0.75
37	A0878	74335901/0826188	Cylinder Cap	150.00
38	A0839q	N/A	M6 x 16 Cap Head Screw (pkg 10)	7.90
39	A0825	N/A	M4 x 6 Cone Point Set Screw (pkg 10)	3.00
N/A	A0803	20SM	Coupler-Female	11.90
N/A	A0804	20PF (1/4")	Coupler-Male	4.90
N/A	A0811	KR10 x 20	Clamp Lever 10mm	29.00
N/A	A0840	N/A	Shims .010"- 10 pcs	16.00
N/A	A0841	N/A	Shims .003"- 10 pcs	16.00
N/A	A0842	N/A	Shims .005"- 10 pcs	16.00



EM STYLE PNEUMATIC A0100 CA



CLAMP BASE ASSEMBLY
 Length 206mm
 Width 80mm
 Height 14mm

- Manufactured to original **OEM** standards
- All sheet metal contact areas are heat treated
- All clamp parts **GUARANTEED**

API Drawing #	API Part #	AMADA Drawing #	Description	Price
1-9	A0200-CBA	74335908	Clamp Base Assembly	\$489.00
1-40	A0100-CA**	74415064**	Complete Clamp Assembly	\$1,899.00
1	A0300-B	826270	Clamp Base	\$299.00
2	A0400-CL	826270	Clamper	\$189.00



Alternative Parts Inc.
 REPLACEMENT PARTS FOR AMADA MACHINERY
 7 Sawgrass Drive, Bellport, NY 11713 • www.ALTPARTS.com

Toll Free
888-882-6001

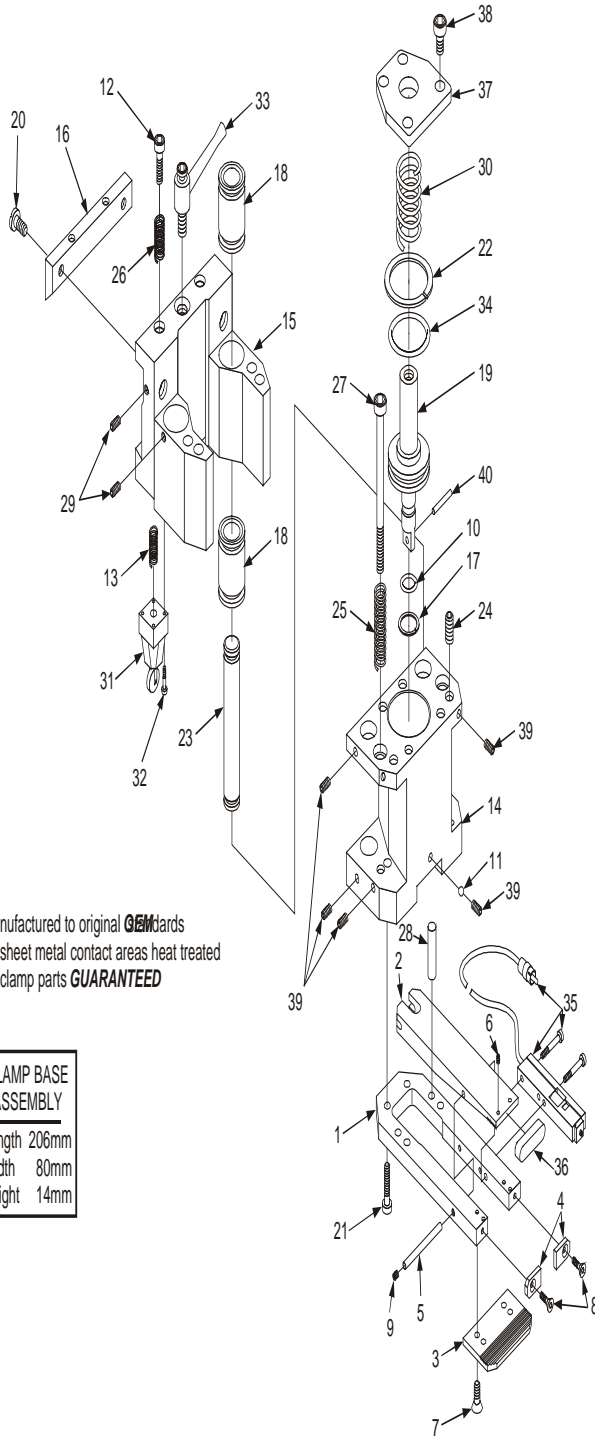
EM STYLE PNEUMATIC A0100 CA

API Drawing #	API Part #	AMADA Drawing #	Description	Price
3	A0500-CP	826272	Clamp Plate	\$39.00
4	A0601-SP	816026	Stopper Plate	\$9.50
5	A0794	M6X60	Straight Pin	\$1.50
6	A0892	M5 x 6	Set Screw - 10 pcs- M5x6 - (Clamper Tip)	\$2.00
7	A0821	M6 x 12	Screw - 10 pcs- M6x12- (Clamp Plate)	\$3.00
8	A0832	M4 x 10	Screw - 10 pcs- M4x10- (Stopper Plate)	\$3.00
9	A0835	M8 x 8	Set Screw Cup - M8X8	\$0.40
10	A4155	Male Elbow	Male Elbow 6mm	\$5.75
11	A4123	Male Connector	Male Connector 6mm	\$6.90
12	A0887	N/A	Shoulder Bolt M6	\$2.00
13	A0882	M5 x 30	M5 Dowel Pin	\$1.00
14	A0874	74335816	Clamp Body - Piston Side New Style Pneu	\$499.00
15	A0879	74335806	Clamp Body - Dove Tail Side New Style Pneumatic	\$499.00
16	A0881	N/A	Dove Tail Plate	\$44.00
17	A0819	P332000006	M10x1.5 Jam Nut	\$3.00
18	A0862	N/A	Linear Bearing ST16B	\$24.99
19	A0620	8261848	Clamp Piston Pneumatic	\$375.00
20	A0875	N/A	Dove Tail Bolts	\$9.90
21	A0895	M8 x 25	Socket Head Cap Bolt M8x25	\$1.00
22	A0876	N/A	6mm Coil Tubing	\$15.00
23	A0898	N/A	Steel Rod 16mm x 120mm	\$18.00
24	A0820	M10 x 25	Half Dog Set Screw M10X25	\$3.00
25	A0877	5033653	Clamp Spring	\$5.00
26	A0888	N/A	Spring 1-1/4"	\$3.00
27	A0884	M6 x 110	Socket Head Cap Bolt M6x110	\$1.00
28	A0966	M10 x 24	Dowel Pin M10x24	\$3.00
29	A0825	M4 x 6	M4x6 Cone Point Set Screw	\$2.00
30	A0846	74161330	Cylinder Spring	\$19.00
31	A0816	3909552	Override Block	\$89.00
32	A0894	M4 x 10	Socket Head Cap Bolt M4x10	\$1.00
33	A0812	KR12 x 20	Clamp Lever, 12MM	\$29.00
34	A9234	P50a	O - Ring P50a	\$1.50
35	A0854	8635270D	EM Sheet Sensor Assy	\$329.00
36	A9220	P-12/P590000012	O - Ring P12	\$0.75
37	A0878	74335901	Cylinder Cap	\$150.00
38	A0849	M6 x 12	Socket Head Cap Head Bolt M6 X 12	\$0.30
39	A0889	M6 x 6	Set Screws M6x6 (pkg. 10))	\$3.00
40	A0817	6873680	Cable Bracket	\$89.00
41	A0818	6826888	EM Sensor Bracket	\$22.50
42	A0814	6826267	Dog EM Handle	\$59.00
43	A0822	M6 x 10	M6x10 Button Head Screw	\$0.25
44	A0807	M3 x 14	M3x14 Cap Head Screw	\$0.20
45	A6505	FL2R-4J6HD	Prox. Switch	\$76.00
46	A0863	74569255	Sheet Sensor Plug, Male	\$35.00
47	A0864	74569254	Sheet Sensor Plug, Female	\$35.00
N/A	A0811	KR10x20	Clamp Lever (steel) 10MM	\$29.00
N/A	A0840	N/A	Shims .010- (10 pcs.)	\$16.00
N/A	A0841	N/A	Shims .003- (10 pcs.)	\$16.00
N/A	A0842	N/A	Shims .005- (10pcs.)	\$16.00
N/A	A0945	PLT-163-R	Pin Connector Male Plug	\$15.00
N/A	A0946	PLT-163-P	Pin Connector Female Plug	\$15.00

* Not available for OEM assembly, ** excluding #35



NEW STYLE HYDRAULIC CLAMP A0107-INT



- Manufactured to original **GEN** standards
- All sheet metal contact areas heat treated
- All clamp parts **GUARANTEED**

CLAMP BASE ASSEMBLY
Length 206mm
Width 80mm
Height 14mm



Alternative Parts Inc.

REPLACEMENT PARTS FOR AMADA MACHINERY
7 Sawgrass Drive, Bellport, NY 11713 • www.ALTPARTS.COM

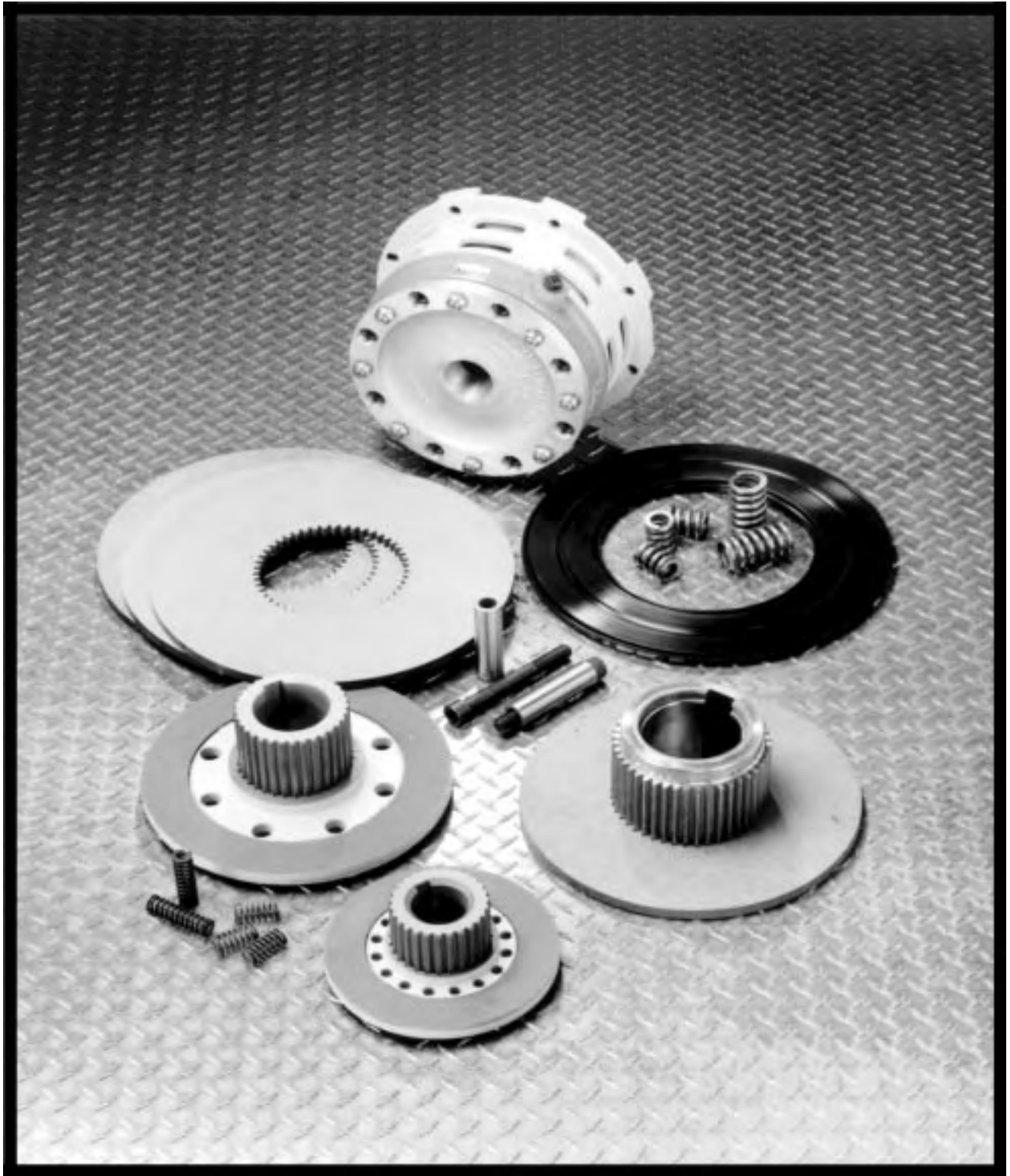
Toll Free
888-882-6001

NEW STYLE HYDRAULIC CLAMP A0107-INT

API Drawing #	API Part #	AMADA Drawing #	Description	Price
1-9	A0207-CBA	826193	Clamp Base Assembly	\$289.00
1-40**	A0107-INT**	826190	Complete clamp Assembly	1,399.00
1	A0307-B	826193	Clamp Base	155.00
2	A0407-CL	826194	Clamper	99.00
3	A0501-CP	816025	Clamp Plate	24.50
4	A0601-SP	816026	Stopper Plate	9.50
5	A0796	M8X60	Straight Pin	1.50
6	A0830	M5X6	Set Screw-10pcs-M5X6 (Clamper Tips)	3.00
7	A0831	M5X12	Screw-10pcs-M5X12 (Clamp Plate)	3.00
8	A0832	M4X10	Screw-10pcs-M4X10 (Stopper Plate)	3.00
9	A0836	M10X12	Set Screw Cup M10X12	1.00
10	A9227	N/A	O-Ring P-32	.99
11	A0865	N/A	3/16 Steel Ball	2.00
12	A0887	N/A	Shoulder Bolt M6	2.00
13	A0891	N/A	Spring <Head cover>	3.00
14	A0872HN	N/A	Clamp Body-Piston Side New Style Hydraulic	499.00
15	A0879HN	N/A	Clamp Body-Dove Tail Side New Style Hydraulic	499.00
16	A0881	N/A	Dove Tail Plate	44.00
17	A8342	N/A	B/U Ring T2-P22	4.00
18	A0751	N/A	Linear Bearing ST16B	24.99
19	A0620HN	N/A	Clamp Piston Hydraulic	375.00
20	A0875	N/A	Dove Tail Bolts	9.90
21	A0895	N/A	Socket Head Cap Bolt M8X25	1.00
22	A8341	N/A	B/U Ring T2-P32	4.00
23	A0787	N/A	Steel Rod 16mmX120mm	15.00
24	A0848	N/A	Half Dog Set Screw M10X	.45
25	A0877	N/A	Clamp Spring	5.00
26	A0888	N/A	Spring 1-1/4"	3.00
27	A0902	N/A	Socket Head Cap Bolt M6X100	1.00
28	A0966	N/A	Dowel Pin M10X24	3.00
29	A0825	N/A	M4X6 Cone Point Set Screw	2.00
30	A0846HN	N/A	Cylinder Spring New Style Hydraulic	13.00
31	A0871	6WPH200-1	Head Cover	41.00
32	A0835	N/A	Socket Head Cap Bolt M4X20	.30
33	A0812	KR12X20	Clamp Lever 12MM	29.00
34	A9230	N/A	O-Ring P-32	.99
35	A0855A	8635270D	Sheet Sensor Assy.	165.00
36	A0850	N/A	Urethane Boot (for clamper tip)	25.00
37	A0878HN	N/A	Cylinder Cap New Style Hydraulic	150.00
38	A0849	N/A	Socket Head Cap Head Bolt M6X12	.30
39	A0889	N/A	Set Screws M6X6 (pkg. 10)	3.00
40	A0873i	N/A	Dowel Pin M8X30	3.00
N/A	A0805	2HS (1/4")	Coupler-Female	49.00
N/A	A0806	2HP (1/4")	Coupler-Male	21.90
N/A	A0811	KR10X30	Clamp Lever (steel) 10MM	29.00
N/A	A0840	N/A	Shims .010- (10pcs.)	16.00
N/A	A0841	N/A	Shims .003- (10pcs.)	16.00
N/A	A0842	N/A	Shims .005- (10pcs.)	16.00
N/A	A8200	74166005	Hydraulic Clamp Pump Unit	2,899.00

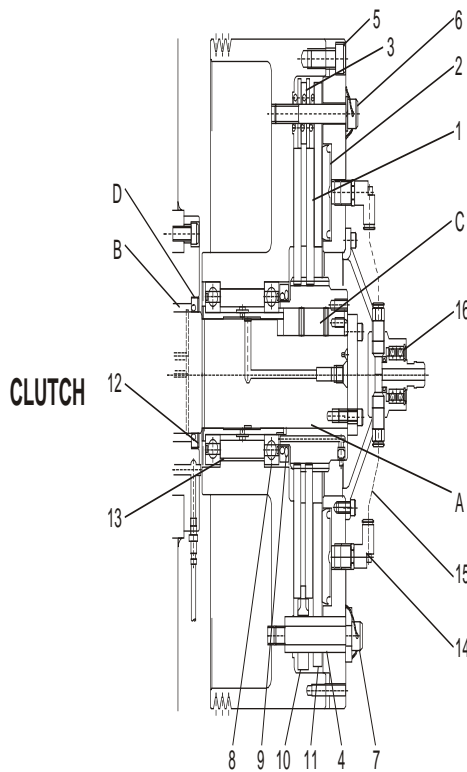
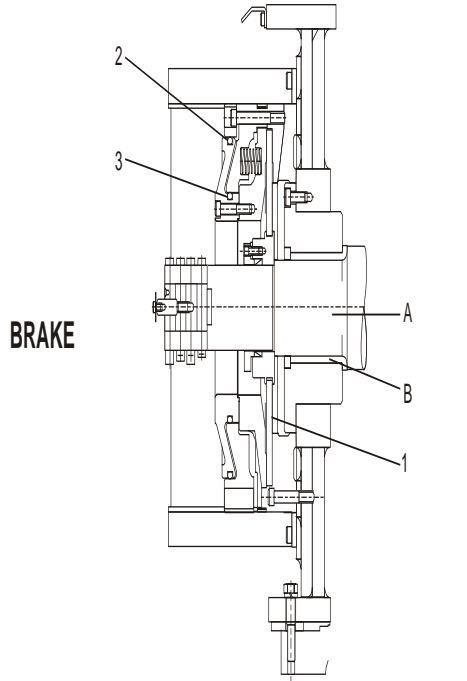
**excludes #35 & #36

CLUTCH AND BRAKE





PEGA - 244 – BRAKE AND CLUTCH

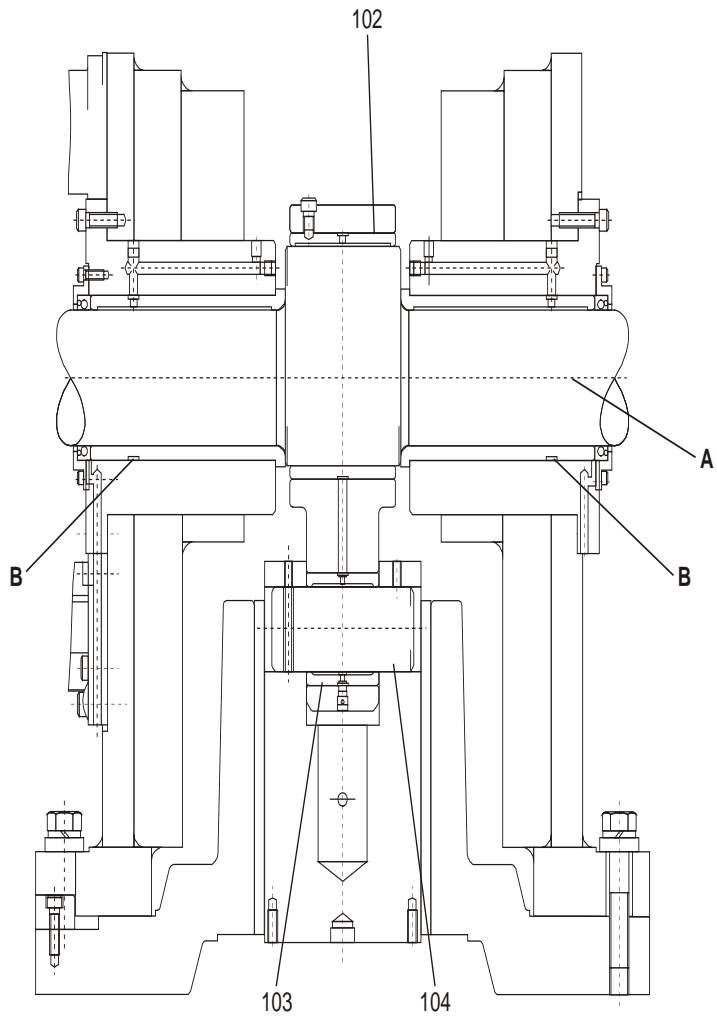




Alternative Parts Inc.
REPLACEMENT PARTS FOR AMADA MACHINERY
7 Sawgrass Drive, Bellport, NY 11713 • www.ALTPARTS.com

Toll Free
888-882-6001

PEGA - 244 – CRANK





PEGA - 244 – BRAKE

API Drawing #	API Part #	AMADA Drawing #	Description	Price
1	A1005	7932040	Friction Plate	\$189.00
2	A9248	P-225	O-Ring P-225 (I)	11.90
3	A9254	P-340	O-Ring P-340 (O)	17.90
N/A	A2010	801036A	Spacer	6.00

PEGA 244 CLUTCH

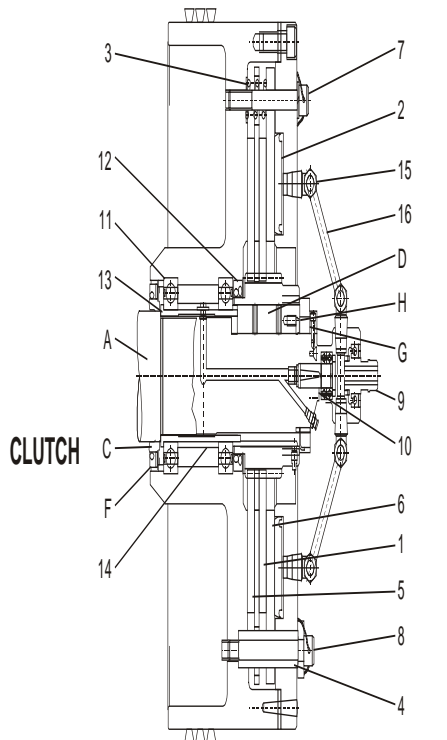
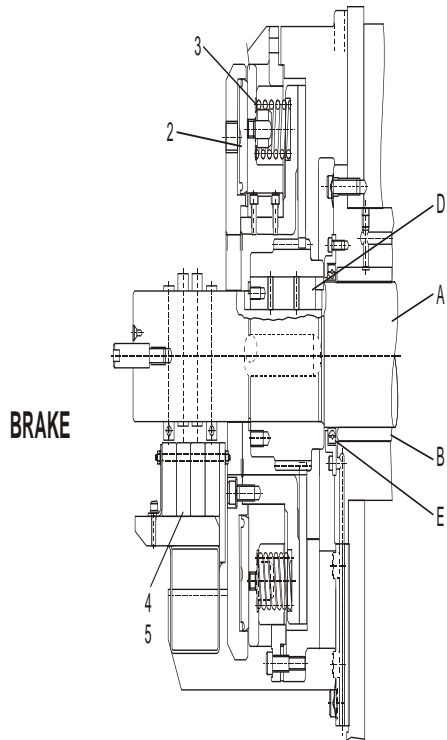
API Drawing #	API Part #	AMADA Drawing #	Description	Price
1	A1005	7932040	Friction Plate	\$189.00
2	A1008	801015	Piston	56.00
3	A1011	286040A	Spring	6.00
4	A1021	801073A	Guide Shaft	29.00
5	N/A	M16 X 40	Bolt 40	Call for Pricing
6	A1030	M16 X 120	Bolt 120	8.00
7	A1031	M16 X 140	Bolt 140	9.00
8	A9430	6020ZZ	Flywheel Bearing (dry only)	137.00
	A9428	6018zz	Flywheel Bearing (wet only)	99.00
9	A9613	120 X 150 X 14	Oil Seal	24.00
10	A1027	821130A	Clutch Plate C	735.00
11	A1028	821026B	Clutch Plate B	639.00
12	A4941	821074A	Set Up Ring	415.00
13	A4940	821075B	Collar	89.00
14	A4175	N/A	Male Elbow	13.90
15	A4114	12 X 8	Metric Tubing 12 X 8 per foot	2.79
16	A9440	600522	Ball Bearing	7.90
N/A	A4009	101K77	Ross Valve Rebuild Kit (U)	75.00
N/A	A4012	496K87	Ross Valve Rebuild Kit (L)	85.00
N/A	A4962	801023B	Crank Key	99.00
N/A	A8229	827551	Pneumatic Hose (Air clutch to valve)	59.00
N/A	A1020	821029	Washer (clutch)	4.99

PEGA 244 CRANK

API Drawing #	API Part #	AMADA Drawing #	Description	Price
A	A4899	811216/8111816	Crank (Reconditioned)	\$2,299.00
B	A4912	811213	Eccentric Shaft Bushing R/L	399.00
C	A4962	801023	Crank Key	99.00
D	A9611	100 X 125 X 13	Oil Seal	17.90
102	A4931	811236	Connecting Rod Bushing	645.00
103	A4920	480164	Ram Pin Bushing	249.00
104	A4921	821058	Ram Pin	136.00
N/A	A5051	M6716-6	Flex Line	59.00
N/A	A4846	811986	Shear Plate	59.00
N/A	A4863	811985	Backup Plate	59.00
N/A	A4856	811984B	Striker Thick	99.00
N/A	A4852	811756	Striker Thin	98.00



PEGA 344 - 357 - VELA 355 – BRAKE, CLUTCH AND CLUTCH

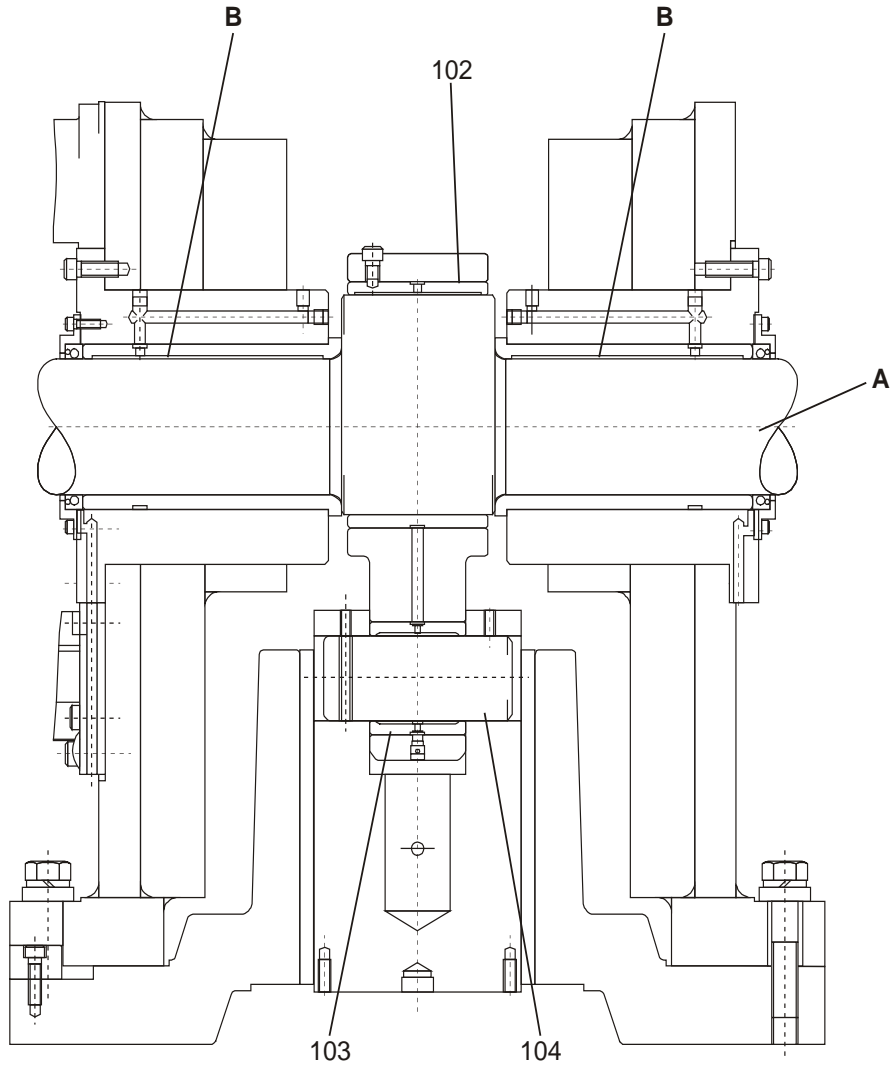




Alternative Parts Inc.
REPLACEMENT PARTS FOR AMADA MACHINERY
7 Sawgrass Drive, Bellport, NY 11713 • www.ALTPARTS.COM

Toll Free
888-882-6001

PEGA 344 - 357 - VELA 355 - CRANK





Alternative Parts Inc.

REPLACEMENT PARTS FOR AMADA MACHINERY
7 Sawgrass Drive, Bellport, NY 11713 • www.ALTPARTS.COM

Toll Free
888-882-6001

PEGA 344 - 357 - VELA 355 - BRAKE

API Drawing #	API Part #	AMADA Drawing #	Description	Price
	A2100	74600637	Brake Package	\$369.00
1	A1005	821220	Friction Plate (1 included in Package)	189.00
2	A1008	801015	Piston (1 included in Package)	56.00
3	A2011	801034B	Spring (8 included in Package)	6.00
4	A6444	TL-T5E1-7	Proximity Switch 6M/04PC	169.00
5	A6445	TL-T5E2-7	Proximity Switch 200B/3000C	164.00
N/A	A4009	101K87	Ross Valve Rebuild Kit (U) (1 included in Package)	75.00
N/A	A4012	493K87	Ross Valve Rebuild Kit (L) (1 included in Package)	85.00
N/A	A2010	801036A	Spacer	6.00

PEGA 344 - 357 - VELA 355 - CLUTCH

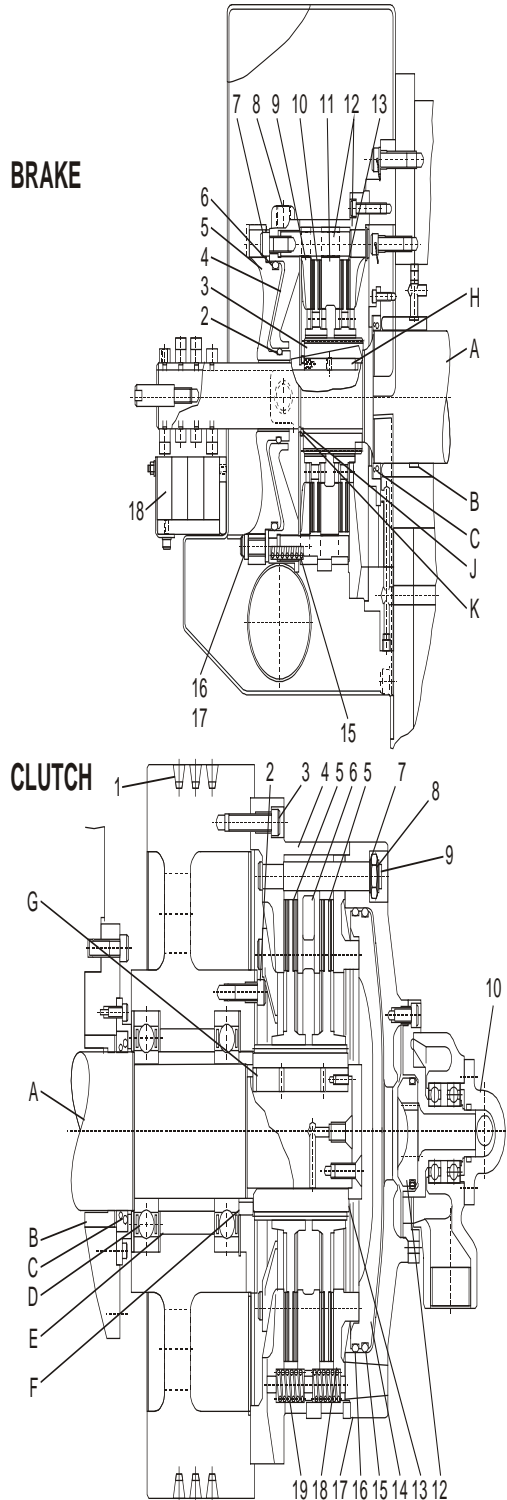
API Drawing #	API Part #	AMADA Drawing #	Description	Price
	A1100	74600635	Clutch Package	\$807.00
1	A1005	821220	Friction Plate (2 included in Package)	189.00
2	A1008	801015	Piston (1 included in Package)	56.00
3	A1011	286040A	Spring (6 included in Package)	6.00
4	A1021	801073A	Guide Shaft (6 included in Package)	29.00
5	A1027	821130	Clutch Plate A	735.00
6	A1028	821026	Clutch Plate B	639.00
7	A1030	M16 X 120	Bolt 120 (6 included in Package)	8.00
8	A1031	M16 X 140	Bolt 140 (6 included in Package)	9.00
9	A1033A	801080	Swivel Body Assembly	289.00
10	A10331	821116	Swivel Stopper Plate	79.00
11	A9430	6020Z	Flywheel Bearing	137.00
12	A9613	120 X 150 X 14	Oil Seal	24.00
13	A4941	821074	Set Up Rings	415.00
14	A4940	821075	Collar	89.00
15	A4175	N/A	Male Elbow	13.90
16	A4114	12 X 8	Metric Tubing per foot	2.79
N/A	A4009	101K77	Ross Valve Rebuild Kit (U) (1 included in Package)	75.00
N/A	A4012	496K87	Ross Valve Rebuild Kit (L) (1 included in Package)	85.00
N/A	A8229	827551	Pneumatic Hose (Air clutch to valve)	59.00
N/A	A1020	821029	Washer (clutch)	4.99

PEGA 344 - 357 - VELA 355 - CRANK

API Drawing #	API Part #	AMADA Drawing #	Description	Price
A	A4901	801005	Crank Shaft Reconditioned (Wedge type cams)	\$2,999.00
A	A4901A	801005	Crank Shaft Reconditioned (Slotted type cams)	2,999.00
B	A4910	801011	Front Crank Bushing	799.00
C	A4910	801010	Rear Crank Bushing	799.00
D	A4962	801023B	Crank Key	99.00
E	A9611	100 X 125 X 13	Oil Seal	17.90
F	A9613	120 X 150 X 14	Oil Seal	24.00
G	A4948	AN-18	Crown Nut	79.00
H	A4949	AW-18	Crown Washer	15.90
102	A4930	801012A	Eccentric Bushing	699.00
103	A4920	4801G4C	Ram Pin Bushing	249.00
104	A4921	821058	Ram Pin	136.00
N/A	A4953	STW-90	Snap Ring	6.90
N/A	A4850	822041	Striker, Thick, 1.376 X 3.320	79.00
N/A	A4844	821927A	Shear Plate, .295 X 3.306	43.00
N/A	A4861	821926	Backup Plate	79.00
N/A	A5051	M6716-6	Flex Line	59.00
N/A	A1069	74159217	Brake Spline	655.00
N/A	A1070	74159108	Clutch Spline	599.00



PEGA KING - P345 – BRAKE AND CLUTCH





Alternative Parts Inc.

REPLACEMENT PARTS FOR AMADA MACHINERY
7 Sawgrass Drive, Bellport, NY 11713 • www.ALTPARTS.com

Toll Free
888-882-6001

PEGA KING - P345 - BRAKE

API Drawing #	API Part #	AMADA Drawing #	Description	Price
N/A	A2400	209190A/74301718	Brake Assembly	\$3,899.00
2	A9270	201734	O-Ring	8.90
3	A2112	811126B/74301313	Spline	599.00
4	N/A	207977	Cylinder	Call for Pricing
5	A2116	207978	Piston - Pega King	473.00
6	A9274	202528	O-Ring	14.90
7	N/A	200733A	Bolt (8)	Call for Pricing
8	A4175	SSL-124	90° Fitting (2)	13.90
9	A2117	207972B	Pressure Plate	755.00
10	A2004	211735	Friction Plate (2)	556.00
11	A2121	208292	Center Plate	526.00
12	A2118	208291	Drive Hub W/Studs	935.00
N/A	A2119	207977	Brake Plate	781.00
15	A2013	203746	Spring (12)	19.00
16	N/A	133181	Nut (8)	Call for Pricing
17	N/A	203288	Washer (24)	Call for Pricing
18	A6444	TL-T5E1-7	Proximity Switch (4)	169.00
N/A	A4009	101K77/946K87	Ross Valve Rebuild Kit, Upper	75.00
N/A	A4012	496K87	Ross Valve Rebuild Kit, Lower	85.00
N/A	A4005	J2773-B-5952	Ross Valve Complete Assembly	436.00
N/A	A1043	7430309/133181	Nut (8)	2.50
N/A	A1042	74391098/203288	Washer (24)	4.00

PEGA KING P345 - CLUTCH

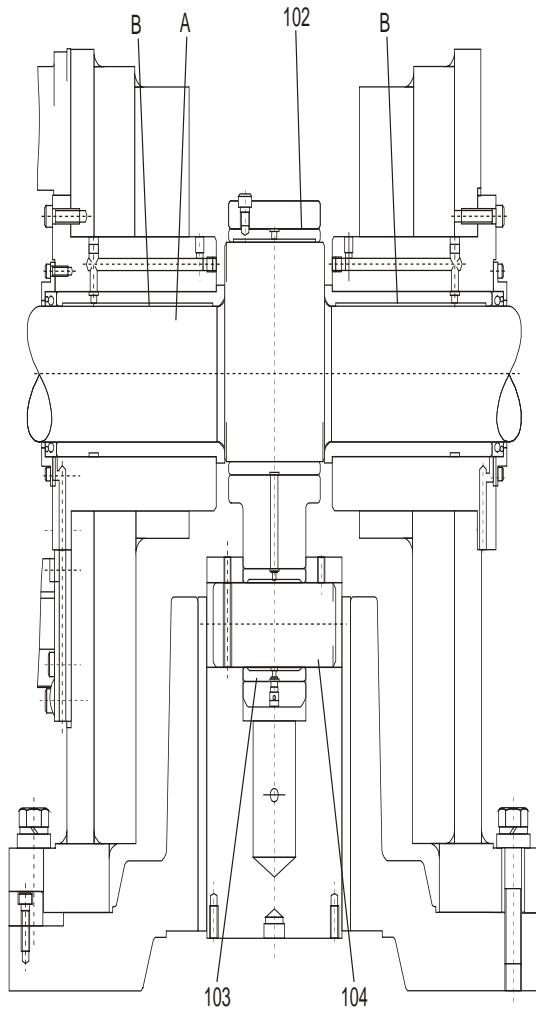
API Drawing #	API Part #	AMADA Drawing #	Description	Price
N/A	A1300	207980	Clutch Assembly	\$5,999.00
1	A9117	B-85	V Belt (3)	39.00
2	A0839ff	N/A	M10 X 30 Pkg of 10	7.90
3	N/A	N/A	M12 X 50	Call for Pricing
4	A1060	207556-SPS	Drive Hub W/Studs	1,211.00
5	A1006	207473	Friction Plate (2)	689.00
6	A1062	207557	Center Plate	654.00
7	A1040	201095	Washer (8)	2.00
8	A1041	201239	Nut (8)	7.73
9	A1023	202583-SP	Guide Shaft - Drive Stud (8)	39.00
10	A1068	201901 - EAA	Rotary Seal plus QRV Assembly	899.00
12	A1064	207444-BA	Rotary Seal Rebuild Kit (Poppit)	139.00
13	A1050	811125	Spline	799.00
14	A1065	202548	Piston	449.00
15	A9276	200910	O-Ring	22.00
16	A1063	202549	Dust Seal	13.52
17	A1066	207559	Cylinder - Pega King	935.00
18	A1061	207558	Pressure Plate	654.00
19	A1013	203993	Spring (8)	8.00
N/A	A1020	821029	Washer (clutch)	4.99



Alternative Parts Inc.
REPLACEMENT PARTS FOR AMADA MACHINERY
7 Sawgrass Drive, Bellport, NY 11713 • www.ALTPARTS.com

Toll Free
888-882-6001

PEGA KING - P345 – CRANK





Alternative Parts Inc.

REPLACEMENT PARTS FOR AMADA MACHINERY
7 Sawgrass Drive, Bellport, NY 11713 • www.ALTPARTS.COM

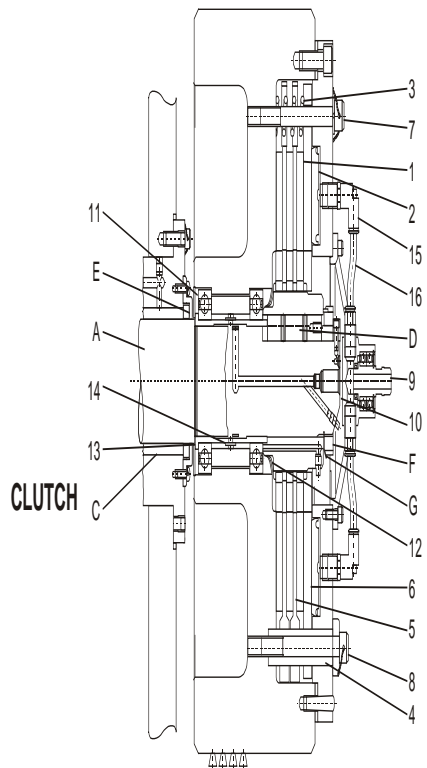
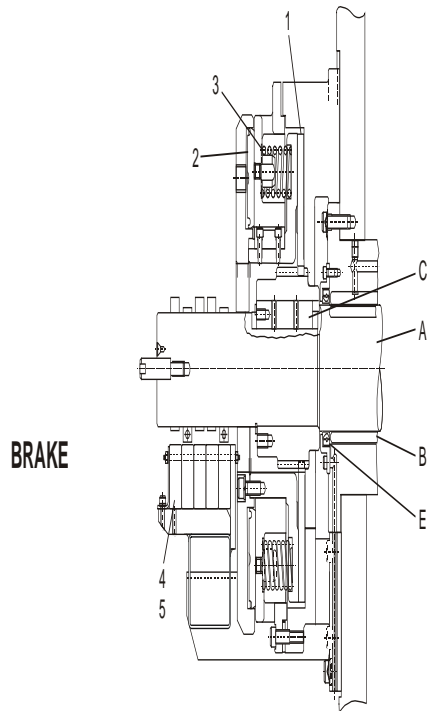
Toll Free
888-882-6001

PEGA KING – P345 - CRANK

API Drawing #	API Part #	AMADA Drawing #	Description	Price
A	A4900	811122c/74301303	Crank Shaft-Pega King-Reconditioned	\$3,599.00
B	A4910	801010/801011	Crank Bushing	799.00
C	A9611	100 x 125 x 13B	100 X 125 X 13 Oil Seal	17.90
D	A9443	621722	Flywheel Bearing	149.00
E	A4938	811131/74301327	Collar B	139.00
F	A4939	811130/74301326	Collar A	179.00
G	A4961	811133B	Crank Key Clutch	139.00
H	A4960	811132A	Crank Key Brake	89.00
J	A4937	811134A/74301332	Back Up Ring (Collar)	59.00
K	A4954	STW50	Snap Ring	1.25
102	A4930	801012/74159244	Connecting Bushing	699.00
103	A4920	480164/74159242	Ram Pin Bushing	249.00
104	A4921	821058	Ram Pin	136.00
N/A	A5051	M6716-6	Flex Grease Line 32"	59.00
N/A	A4850	822041	Striker, 3.320L	79.00
N/A	A4844	821927	Shear Plate, .295 X 3.306	43.00
N/A	A4861	821926	Backup Plate	79.00
N/A	A2112	74301313	Brake Spline	599.00
N/A	A1050	74301310	Clutch Spline	799.00
N/A	A8781b	74301507	Press Motor Pulley – Pega King	399.00



COMA 555 - 557 - 567 – BRAKE, CLUTCH AND CRANK

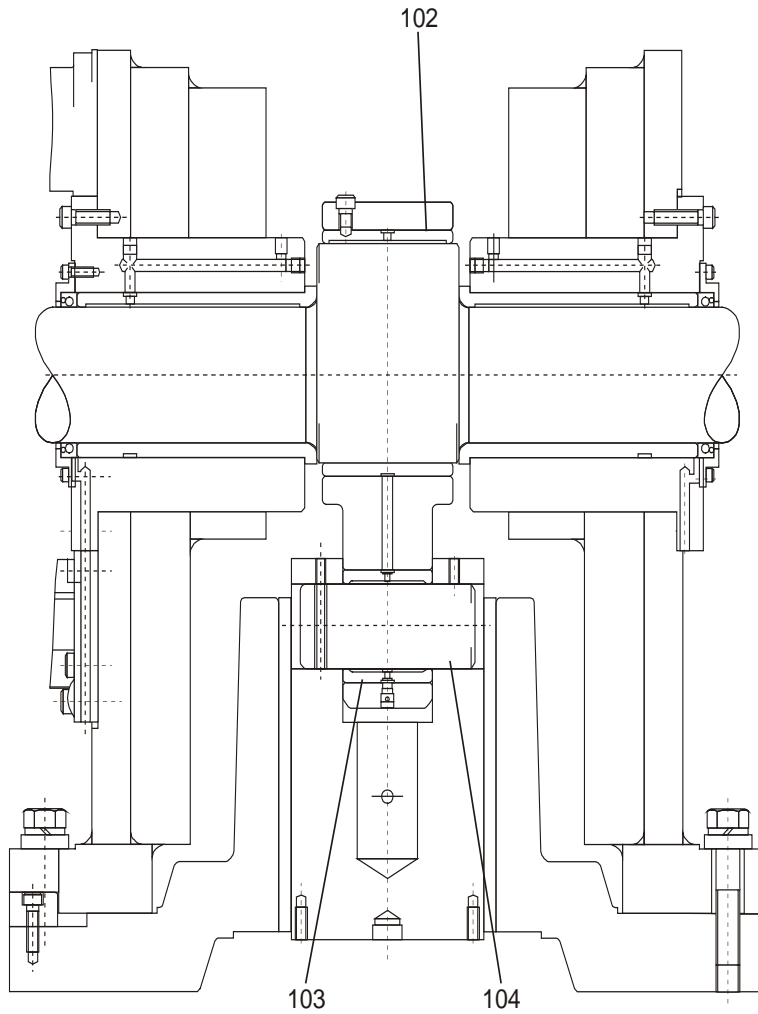




Alternative Parts Inc.
REPLACEMENT PARTS FOR AMADA MACHINERY
7 Sawgrass Drive, Bellport, NY 11713 • www.ALTPARTS.com

Toll Free
888-882-6001

COMA 555 - 557 - 567 – CRANK





Alternative Parts Inc.

REPLACEMENT PARTS FOR AMADA MACHINERY
7 Sawgrass Drive, Bellport, NY 11713 • www.ALTPARTS.COM

Toll Free
888-882-6001

COMA 555 - 557 - 567 - BRAKE

API Drawing #	API Part #	AMADA Drawing #	Description	Price
N/A	A2200	74600637	Brake Package	\$369.00
1	A1005	821220	Friction Plate (1 included in Package)	189.00
2	A1008	801015	Piston (1 included in Package)	56.00
3	A2011	801034B	Spring (8 included in Package)	6.00
4	A6444	TL-T5E1-7	Proximity Switch 6M/04PC	169.00
5	A6445	TL-T5E2-7	Proximity Switch 200B/3000C	164.00
N/A	A4009	101K77	Ross Valve Rebuild Kit (U) (1 included in Package)	75.00
N/A	A4012	493K87	Ross Valve Rebuild Kit (L) (1 included in Package)	85.00
N/A	A2010	801036a	Spacer	6.00

COMA 555 - 557 - 567 - CLUTCH

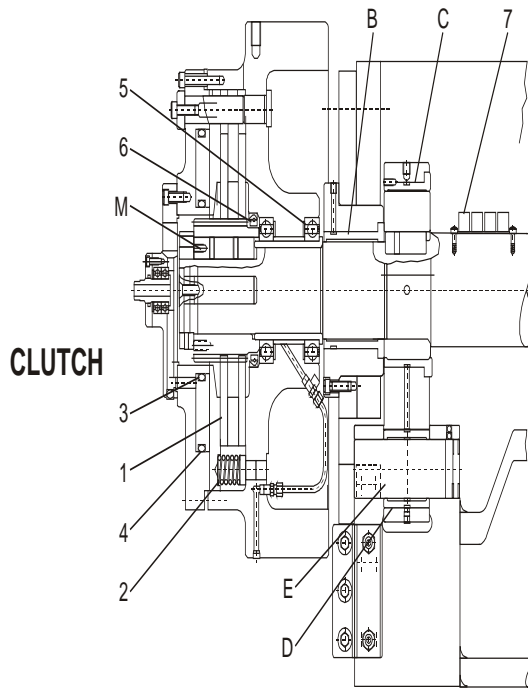
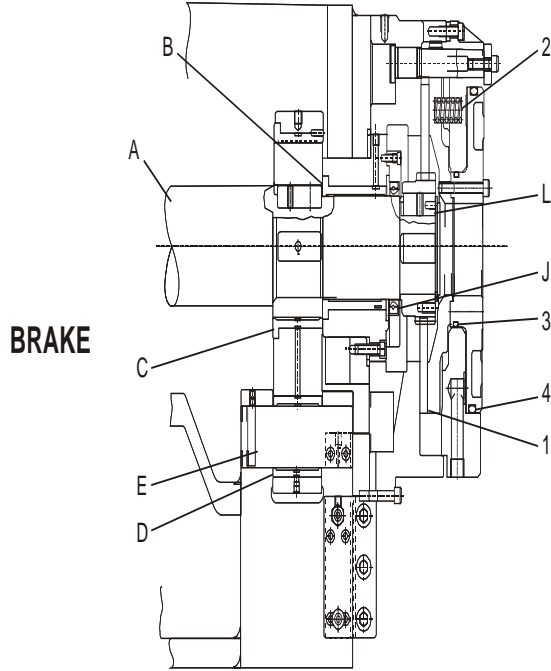
API Drawing #	API Part #	AMADA Drawing #	Description	Price
N/A	A1200	74600634	Clutch Package	\$1,109.00
1	A1005	821220	Friction Plate (3 included in Package)	189.00
2	A1008	801015	Piston (1 included in Package)	56.00
3	A1012	821041A	Spring (6 included in Package)	9.90
4	A1022	821028	Guide Shaft (6 included in Package)	39.00
5	A1027	821130	Clutch Plate A	735.00
6	A1028	821026	Clutch Plate B	639.00
7	A1031	M16 X 140	Bolt 140 (6 included in Package)	9.00
8	A1032	M16 X 160	Bolt 160 (6 included in Package)	16.00
9	A1033A	801080	Swivel Body Assembly	289.00
10	A10331	821116	Swivel Stopper Plate	79.00
11	A9430	6020Z	Flywheel Bearing	137.00
12	A9613	120 X 150 X 14	Oil Seal (1included in Package)	24.00
13	A4941	821074	Setup Ring	415.00
14	A4940	821075	Collar	89.00
15	A4175	N/A	Male Elbow	13.90
16	A4114	12 X 8	Metric Tubing 12 X 8	2.79/ft
N/A	A4009	101K77	Ross Valve Rebuild Kit (U) (1 included in Package)	75.00
N/A	A4012	496K87	Ross Valve Rebuild Kit (L) (1 included in Package)	85.00
N/A	A8229	827551	Pneumatic Hose (Air clutch to valve)	59.00
N/A	A1020	821029	Washer (clutch)	4.99

COMA 555 - 557 - 567 - CRANK

API Drawing #	API Part #	AMADA Drawing #	Description	Price
1 A	A4901	801005	Crank Shaft (Reconditioned)	\$2,999.00
1 B	A4910	8010011	Crank Bushing Brake	799.00
1 C	A4910	801011	Crank Bushing Clutch	799.00
1 D	A4962	801023	Crank Key	99.00
1 E	A9611	100 X 125 X 13	Oil Seal	17.90
1 F	A4948	AN18	Crown Nut, KM18	79.00
1 G	A4949	AW18	Crown Washer, KM18	15.90
102	A4930	801012	Eccentric Bushing	699.00
103	A4920	480164	Ram Pin Bushing	249.00
104	A4921	821058	Ram Pin	136.00
N/A	A5051	M6716-6	Flex Line, 32 Inch	59.00
N/A	A4850	822041A	Striker, 1.367 X 3.320	79.00
N/A	A4842	480333	Shear Plate, .472 X 3.307	69.00
N/A	A1069	74159217	Brake Spline	655.00
N/A	A1070	74159108	Clutch Spline	549.00



OCTO 334 – BRAKE, CLUTCH AND CRANK





OCTO 334 - BRAKE

API Drawing #	API Part #	AMADA Drawing #	Description	Price
N/A	A2300	N/A	Brake Package	\$343.00
1	A1007	5033372	Friction Plate*	209.00
2	A2014	6011595	Spring*	9.90
3	A9242	AP-140	O-Ring P-140 (I)*	3.10
4	A9250	AP-300	O-Ring P-300 (O)*	19.90

*included in Package

OCTO 334 CLUTCH

API Drawing #	API Part #	AMADA Drawing #	Description	Price
	A1400	N/A	Clutch Package	\$414.00
1	A1007	5033372	Friction Plate*	209.00
2	A1014	5033371A	Spring*	7.73
3	A9246	AP180	O-Ring P180 (I)*	12.83
4	A9252	AP315	O-Ring P315 (O)*	15.00
5	A9430	6020 zz	Flywheel Bearing	137.00
6	A9614	130 X 160 X 14	Oil Seal	23.90
7	A6444	TL-T5E1-7	Proximity Switch	169.00

*included in Package

OCTO CRANK

API Drawing #	API Part #	AMADA Drawing #	Description	Price
A	A4904	5033341	Crank Shaft: Reconditioned	\$1,999.00
B	A4914	5033351	Crank Bushing 2	799.00
D	A4919	5033346	Ram Pin Bushing	199.00
E	A4922	5033353	Ram Pin 2	295.00
C	A4932	5033345/5033357	Connecting Bushing Left or Right	459.00
F	A9611	100 X 125 X 13	Oil Seal	17.90
G	N/A	5033386	Crank Key Brake	Call for Pricing
H	N/A	801023	Crank Key Clutch	Call for Pricing
N/A	A4844	821927	Shear Plate	43.00
N/A	A4861	821926	Backup Plate	79.00
N/A	A5052	M709-6	Flex Lines 12 Inch	25.60



HYDRAULIC CLUTCH AND BRAKE

API Part #	AMADA Drawing #	Description	Price
A1600	6013700	20 Ton / 30 Ton Hydraulic Clutch and Brake	Call For Pricing
A1700	6013725	50 Ton Hydraulic Clutch and Brake	Call For Pricing

PEGA 20 TON HYDRAULIC CRANK

API Part #	AMADA Drawing #	Description	Price
A4899	811181B	Crank Shaft-Pega 244: Hydraulic, Reconditioned	\$2,299.00
A4902	G013931B	Crank Shaft Pega/Coma Reconditioned	1,999.00
A4912	R811241	Crank Bushing-Pega 244 Right*	399.00
A4912	L811213a	Crank Bushing-Pega 244 Left*	399.00
A4931	811236A	Connecting Bushing-Pega 244	645.00
A4963	74301325	Crank Key-Pega 244	99.00
A4970	74327766	Lock Nut-Pega 244	65.00
A5048b	6m X 1/8	Straight Fitting	4.00
A5048d	6m X 1/8	90 Degree Elbow	9.00
A5051	M6716-6	Flex Line 32" Length x 4mm	59.00
A9615	290 X 330 X 18	Oil Seal	159.00

*Pneumatic Also

PEGA /COMA HYDRAULIC CRANK

API Part #	AMADA Drawing #	Description	Price
A4899	811181B	Hydraulic, Reconditioned Crank Shaft	\$2,299.00
A4911	811071	Eccentric Shaft Bushing	799.00
A4920	480164c	Ram Pin Bushing	249.00
A4921	821058	Ram Pin	136.00
A4930	801012a	Connecting Bushing	699.00
A4963	74301325	Crank Key	99.00
A5048b	6m X 1/8	Straight Fitting	4.00
A5048d	6m X 1/8	90 Degree Elbow	9.00
A5051	M6716-6	Flex Line 32" Length x 4mm	59.00
A9611	100 x 125 x 13	Oil Seal	17.90
A9612	100 x 125 x 13	Oil Seal Double Lip	19.90
A9615	290 X 330 X 18	Oil Seal	159.00

MISCELLANEOUS HARDWARE

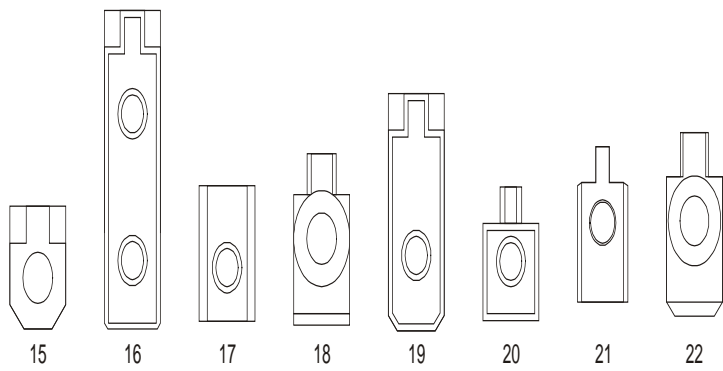
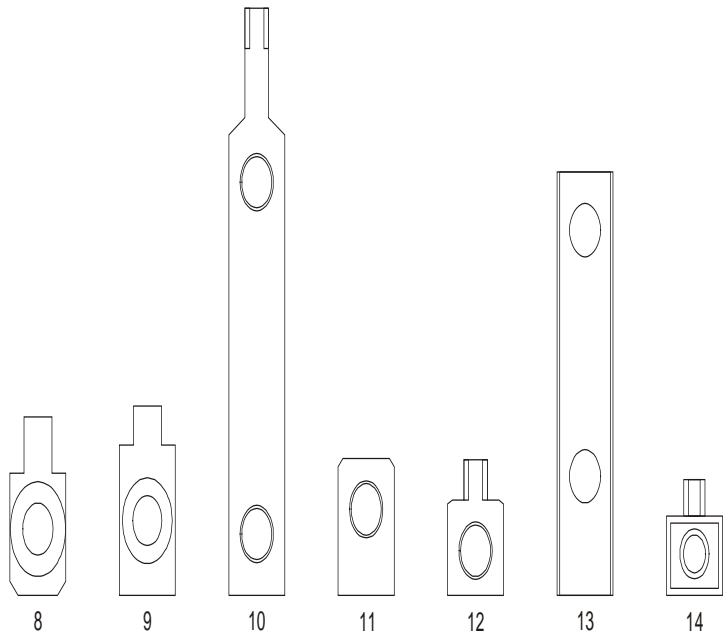
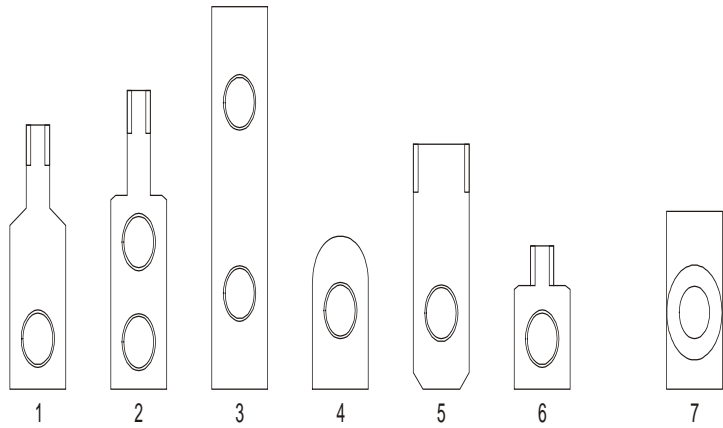
API Part #	AMADA Drawing #	Description	Price
A1037	Rtw-40	Snap Ring (external)	\$1.00

TURRET



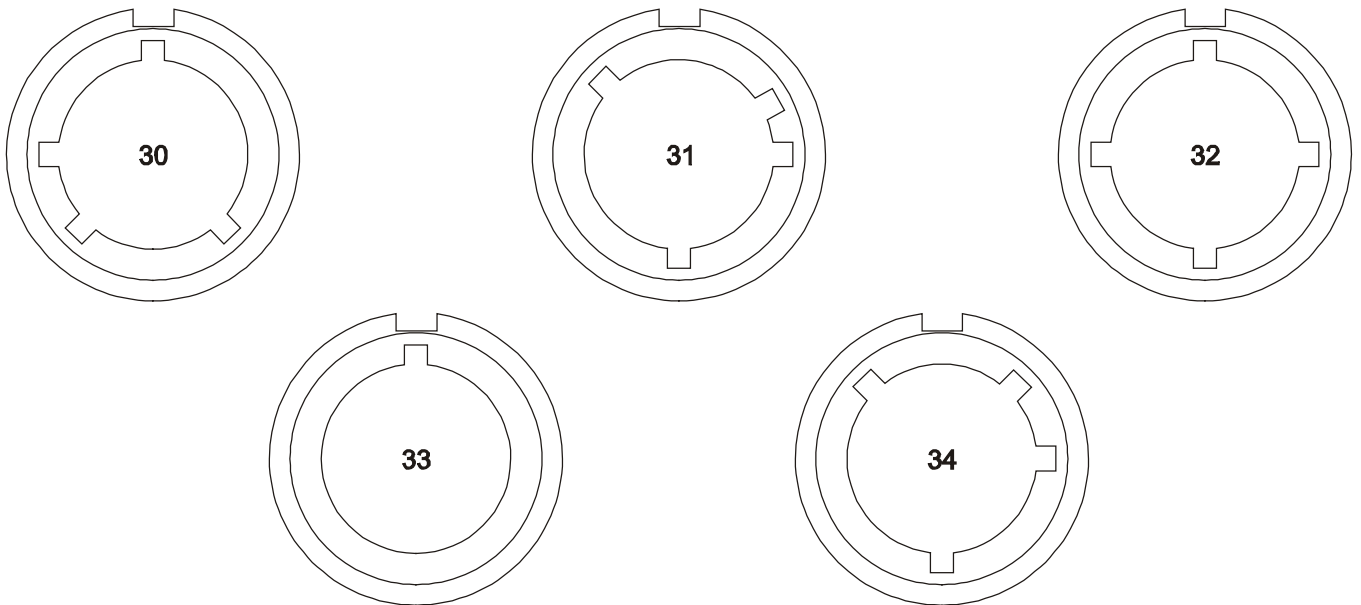
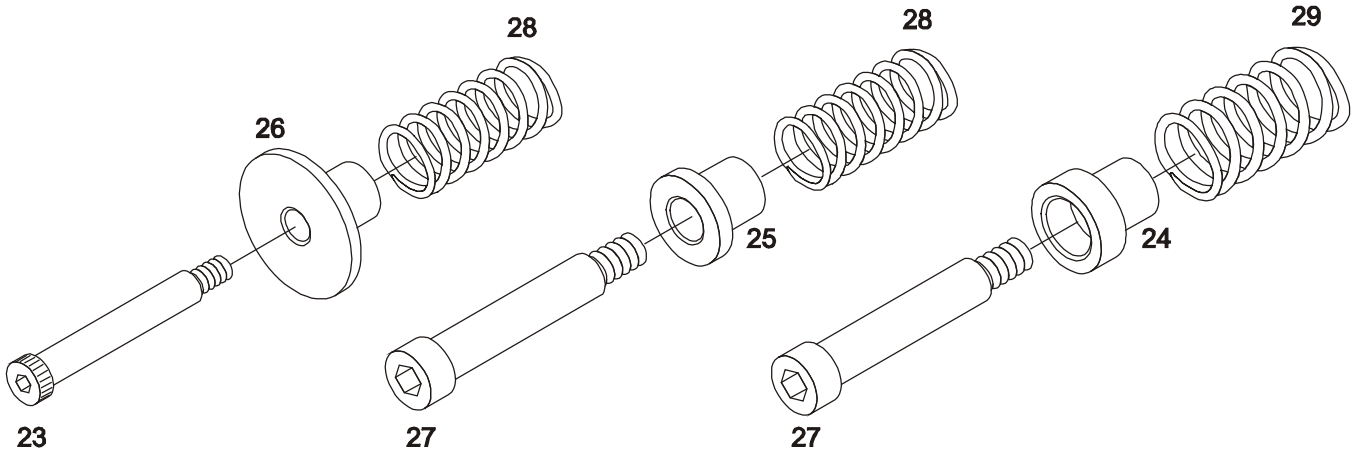


TURRET PARTS





TURRET PARTS





Alternative Parts Inc.

REPLACEMENT PARTS FOR AMADA MACHINERY
7 Sawgrass Drive, Bellport, NY 11713 • www.ALTPARTS.COM

Toll Free
888-882-6001

TURRET PARTS

API Drawing #	API Part #	AMADA Drawing #	Description	Price
N/A	A3094	N/A	Air Blow System	\$2,500.00
N/A	A3095	6010962	Octo Punch Holder: Auto Index (core exchange required)	5,800.00
N/A	A30951	6010141A	Octo Punch Holder (core exchange required)	5,800.00
1	A3117	827263	Guide Key 1/2", 1 1/4" Inner	19.00
2	A3118	5501007	Guide Key 1/2", 1 1/4" Outer	19.00
3	A3119	5501050A	Guide Key 2"	19.00
4	A3120	5501010	Guide Key 3 1/2"	19.00
5	A3121	5501016A	Guide Key 4 1/2"	19.00
6	A3122	822420	Guide Key Auto Index	19.00
7	A3123	5500075	Guide Key Thin Turret - 3 1/2"	19.00
8	A3141	488034C	Die Key Thick Turret	19.00
9	A3142	5500125	Die Key Thin Turret	19.00
10	A3116	5033504a	Guide Key 1/2", 1 1/4" Octo	59.00
11	A3124	6532925	Guide Key Auto Index 4 1/2" Vipros	24.00
12	A3125	828354	Guide Key 1/2" Vipros	19.00
13	A3127	74165195	Guide Key 2" Vipros 255	32.00
14	A3128	74569848	Guide Key 1/2-1 1/4 EM 30 Series	99.00
15	A3129	74569852	Guide Key 3 1/2 EM 30 Series	99.00
16	A3130	75669850	Guide Key 2 EM 30 Series	124.00
17	A3131	74312337	Guide Key Lg. Station AI EM	32.90
18	A3132	74312340	Die Key EM 30 Series	59.00
19	A3133	74561406	Guide Key 4 1/2 EM 30 Series	65.00
20	A3134	74569849	Guide Key 1/2-1 1/4 Vipros III	109.00
21	A3115	817218	Guide Key 1/2 - 1 1/4 V255 / P 244	29.00
22	A3126	74399119	Die Key 4 1/2 Auto Index	32.00
23	A3346	807121	Shoulder Bolt Thin 1/2", 1 1/4", 2"	7.90
24	A3380	5501009	Lifter Ring	9.90
25	A3381	5500217	Lifter Ring	9.90
26	A3382	807122	Lifter Ring Thin	16.90
27	A3345	5501017C/807123	Shoulder Bolt Thick 1/2", 1 1/4", 2", 3 1/2", 4 1/2"	11.90
28	A3261	827241	Lifter Spring 1/2", 1 1/4", 2"	2.90
29	A3262	827240	Lifter Spring 3 1/2", 4 1/2"	6.80
30	A3424	5500069	Thin Turret Guide Bushing 0, 135, 225, 270	199.00
31	A3425	5500068	Thin Turret Guide Bushing 45, 90, 180, 315	259.00
32	A3421	5500067	Thin Turret Guide Bushing 0, 90, 180, 270	279.00
33	A3422	807045	Thin Turret Guide Bushing 0	199.00
34	A3423	5500079	Thin Turret Guide Bushing 60, 90, 180, 300	219.00
N/A	A0815	M16 X 50	Tool Assembly Jig Lever	49.00
N/A	A0827	N/A	Screw M6 x M16-10Pcs	3.00
N/A	A3135	5501010 / 74514122	3 1/2 Guide Key Em25, AC2510	25.00
N/A	A3144	5500125B	Die Key Thin Turret Octo	79.00
N/A	A3143	5033911C	Die Key: Octo	99.00
N/A	A3263	6571551a	Lifter Spring 3 1/2" Vipros Auto Index	29.00
N/A	A3347	74569846/3204978	EM Shoulder Bolt	13.00



Alternative Parts Inc.
 REPLACEMENT PARTS FOR AMADA MACHINERY
 7 Sawgrass Drive, Bellport, NY 11713 • www.ALTPARTS.COM

Toll Free
888-882-6001

TURRET: DIE HOLDERS AND HARDWARE

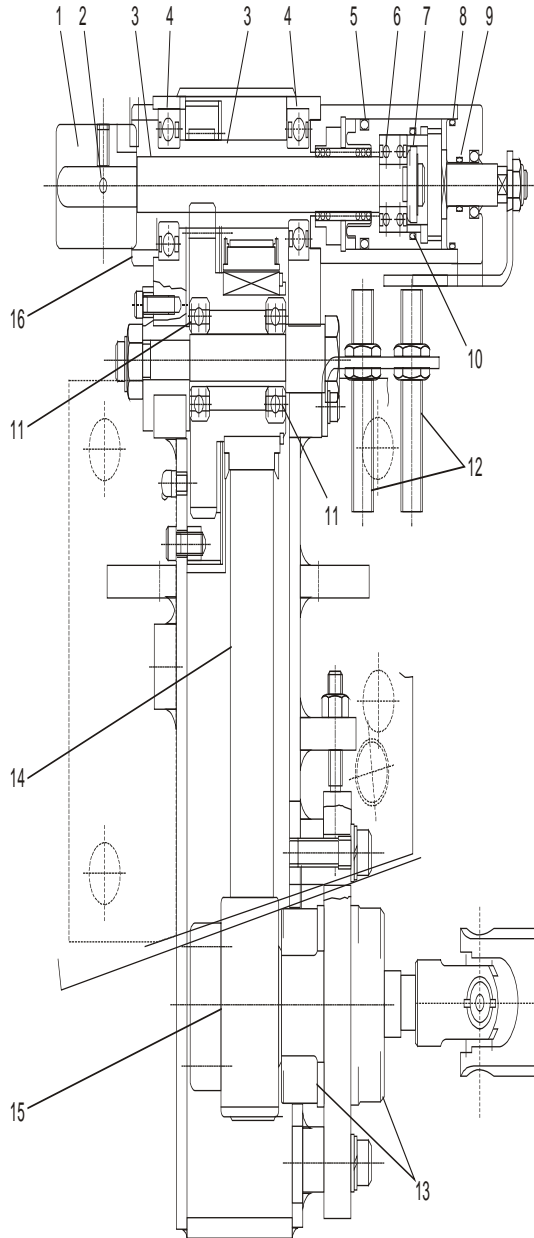
API Drawing #	API Part #	AMADA Drawing #	Description	Price
N/A	A0830	M5 X 6	Set Screw (Pkg of 10)	\$3.00
N/A	A0834a	M6 X 25	Cap Screw (Pkg of 10)	1.90
N/A	A0837	M6 X 20	Cap Screw (Pkg of 10)	1.90
N/A	A0966	D10 X 24	Dowel Pin	3.00
N/A	A3508	6145182	Die Holder & Spacer ½" Vipros 255	739.00
N/A	A3509	N/A	Die Holder & Spacer ½ - 1 ¼ Vipros 255	799.00
N/A	A3510	817202	Die Holder & Spacer 3 ½" Vipros 255	799.00
N/A	A3511	6593715	Die Holder & Spacer 2" Vipros 255	649.00
N/A	A3512	827106	Die Holder & Spacer 1/2"	349.00
N/A	A3514a	827471	Die Holder Upper, Lower & Block -1 1/4"-Center: 90 degree	890.00
N/A	A3514b	827094	Die Holder Upper, Lower & Block -1 1/4"-Left: 90 degree	890.00
N/A	A3514c	827091	Die Holder Upper, Lower & Block -1 1/4"-Right: 90 degree	890.00
N/A	A3515a	827108	Die Holder & Spacer 1 1/4"-Center (old style outer keyed only)	309.00
N/A	A3516a	827156	Die Holder & Spacer 1 1/4"-Left (old style outer keyed only)	309.00
N/A	A3517a	827155	Die Holder & Spacer 1 1/4"-Right (old style outer keyed)	309.00
N/A	A3518a	802245a	Die Holder Auto Index: 1 1/4"	279.00
N/A	A3521	827114	Die Holder & Spacer -2"	379.00
N/A	A3522	827407	Die Holder & Spacer -2" (next to Auto index on 2Ai system)	729.00
N/A	A3524	827162	Die Holder & Spacer -3 1/2"	489.00
N/A	A3527	827123	Die Holder & Spacer -4 1/2"	499.00
N/A	A3528	822695/74399815	Die Holder & Spacer- 41/2" EM2510	550.00
N/A	A3539	M6	Spring Washer	6.90
N/A	A3540	D8 X 20	Dowel Pin	3.00
N/A	A3541	M6 X 14	Set Screw (Pkg of 10)	0.50
N/A	A3542	M8	Spring Washer	8.90
N/A	A3544	C-3S	Free Stroke Bearing	6.32
N/A	A3545	827018	Spring Clip	3.80
N/A	A3546	M4 X 8	Pan Head Machine Screw (Pkg of 10)	1.60
N/A	A3547	M4	Washer (Pkg of 10)	3.00
N/A	A3548	M8	Washer (Pkg of 10)	3.00
N/A	A3549	827474	Screw M10 x 40 Corner Bolt (for die holder)	15.00
N/A	A3550	AW24	Washer	6.90
N/A	A3551	AN24	Crown Nut	39.90
N/A	A3556	6595381	C5s Button Brush	21.00
N/A	A3557	C-5s	Free Bearing	12.00
N/A	A3560	827107	Die Spacer 1/2"	99.00
N/A	A3561	827158	Die Spacer 1 1/4"-Left	119.00
N/A	A3561a	827157	Die Spacer 1 1/4"-Right	119.00
N/A	A3561b	827111	Die Spacer 1 1/4"-Center	119.00
N/A	A3562	827115F	Die Spacer 2"	129.00
N/A	A3563	827163	Die Spacer 3 1/2"	179.00
N/A	A3564	827125	Die Spacer 4 1/2"	189.00

AUTO INDEX



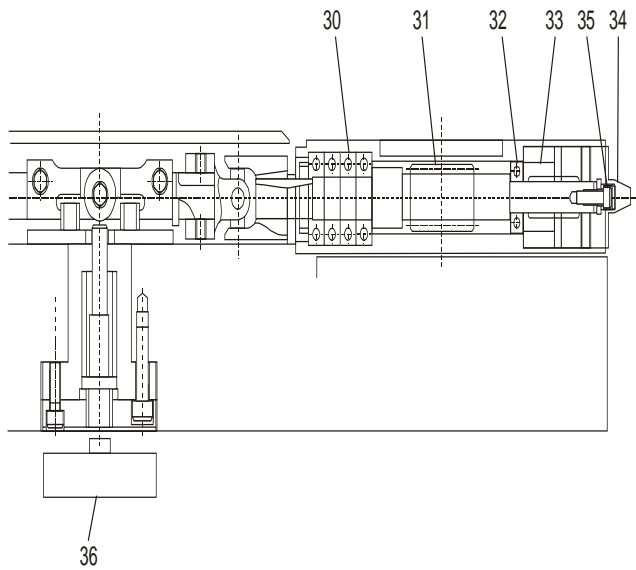
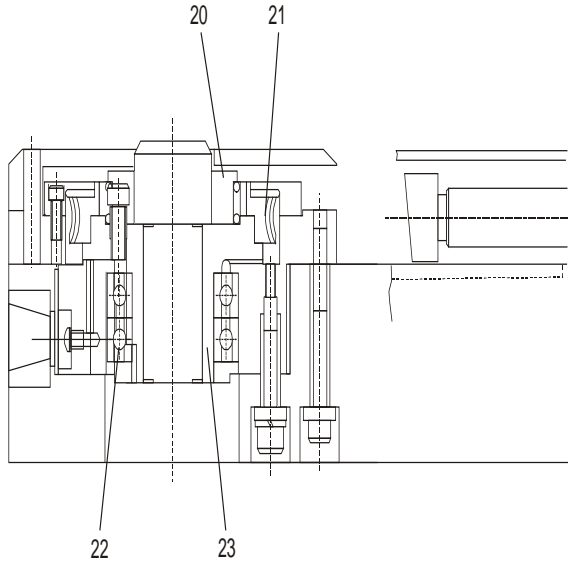


TURRET: 1 1/4" AUTO INDEX DRIVE UNIT



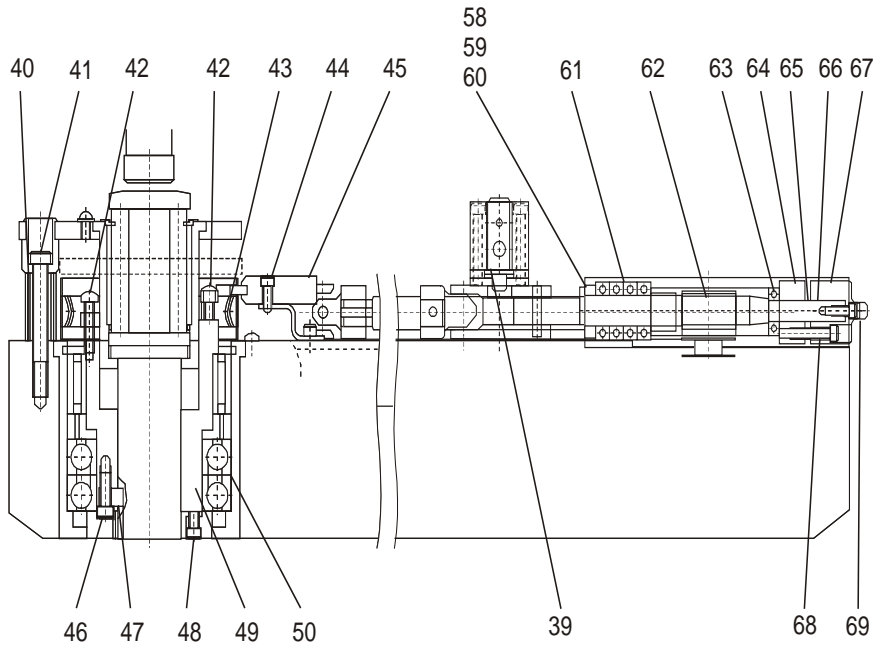


TURRET: LOWER 1 1/4" AUTO INDEX





TURRET: 1 1/4" AUTO INDEX TURRET





Alternative Parts Inc.

REPLACEMENT PARTS FOR AMADA MACHINERY
7 Sawgrass Drive, Bellport, NY 11713 • www.ALTPARTS.COM

Toll Free
888-882-6001

TURRET: AUTO INDEX PARTS

API Drawing #	API Part #	AMADA Drawing #	Description	Price
1	A4701	822412D	Point Shaft (Drive Side) with set screw	\$229.00
2	A4710	5X32	Taper Pin	1.90
3	A4700	822491/822077B	PP Spline and Gear	519.00
4	A9425	6022LU	Bearing	21.90
5	A9230	AP-32	O - Ring	0.99
6	A9444	7001DB	Bearing	45.00
7	A4711	AN01	Nut	9.00
8	A9230A	S-35	O - Ring	0.99
9	A9220	P-12/P590000012	O - Ring	0.75
10	A9228A	S-28	O - Ring	0.99
11	A9434	6202ZZ	Bearing	13.90
12	A6447	BES-516-329G0X	Proximity Switch	209.00
13	A9436	6203Z	Bearing	8.90
14	A9138	225-H-100	Timing Belt	59.00
15	A4714b	RFN8006	Span Ring 17x21	17.90
16	A4724	22410	Bearing Retainer	89.00
17	A4723	822411a	Key	19.00
20	A3518a	802245a	Die Holder -Auto Index	279.00
21	A4706	802244	Worm Wheel - Lower	297.00
22	A4721	7932017	Die Support Bearing Lower	362.00
23	N/A	821817a	Support	N/A
30	A9452	7932023	Bearing	269.00
31	A4704	802234D	Worm Shaft B, Short	369.00
32	A9422	6001Z	Bearing	9.78
33	A4714A	RFN8006	Span Ring 12 x 15	17.90
34	A4702	822439B	Point Shaft (Driven Side)	319.00
35	A0828a	M6 X 20	Button Head (package of 10)	\$1.90
36	A4707	7932056	Lower Brake Cylinder	289.00
39	A4085	74312525	A/I Upper Brake	450.00
N/A	A4709	74314728	Grease Nipple	1.90
N/A	A4733	6570450	A/I Brake rod I	35.00
N/A	A4734	74382720/6501995	A/I Brake rod L	75.00
N/A	A4735	822079/74313616	A/I P.P. Piston	199.00
N/A	A4736	822083/74313625	A/I P.P. Plunger	189.00
N/A	A4737	6501996/74379715	A/I Brake Rod L (2)	49.00
N/A	A4738	6501990	A/I Brake Rod U (2)	39.00



Alternative Parts Inc.

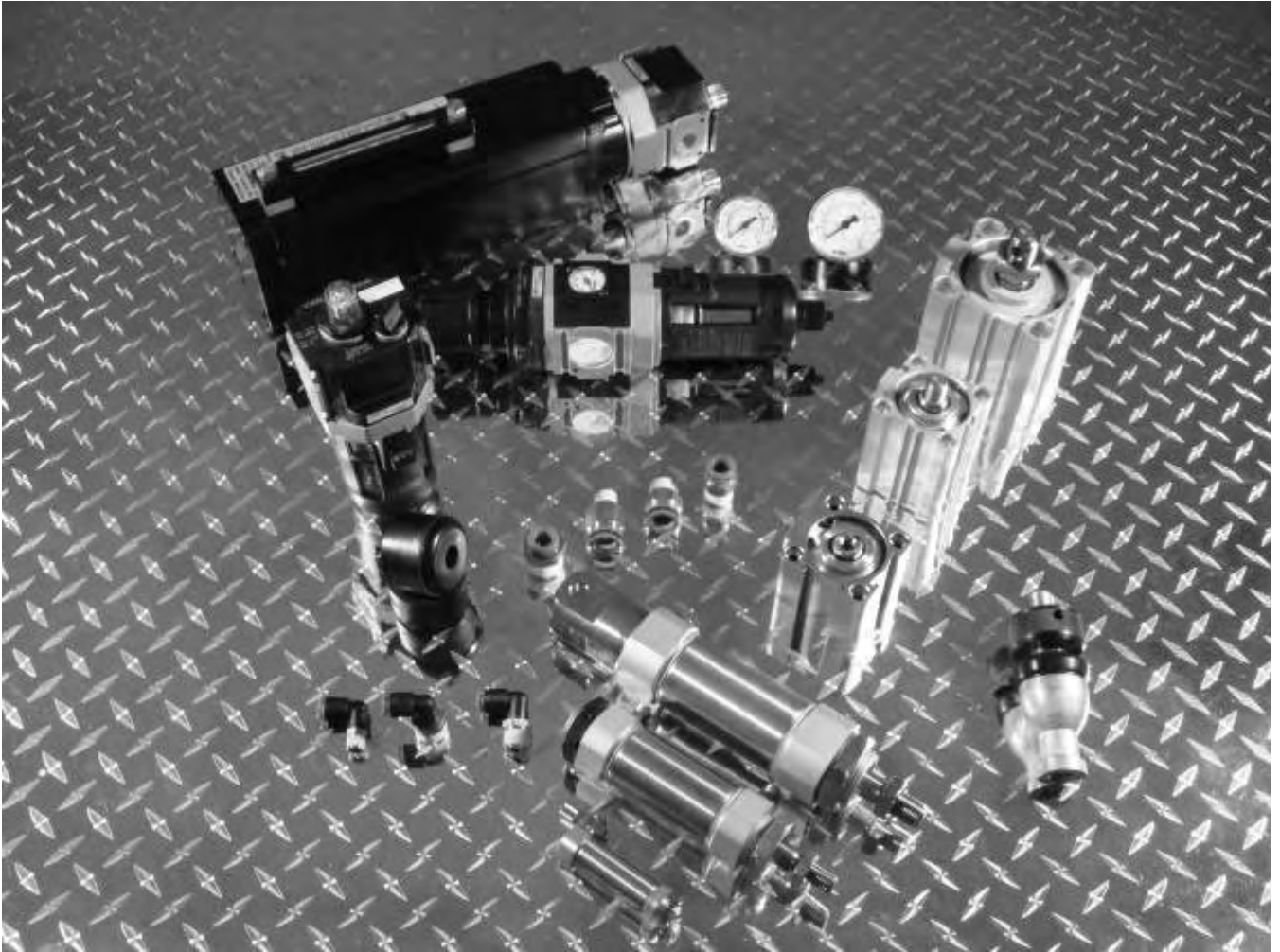
REPLACEMENT PARTS FOR AMADA MACHINERY
7 Sawgrass Drive, Bellport, NY 11713 • www.ALTPARTS.COM

Toll Free
888-882-6001

TURRET: AUTO INDEX PARTS

API Drawing #	API Part #	AMADA Drawing #	Description	Price
40	A3261	827241	Lifter Spring	\$2.90
41	A3345	5501017	Shoulder Bolt	11.90
42	A0834a	M6 X 25	Cap Screw (package of 10)	1.90
43	A4705	822422C	Worm Wheel - Upper	299.00
44	A0839p	M5 x 20	Cap Screw (package of 10)	2.90
45	A6271	14CE31-1	Limit Switch	99.00
46	A0837	M6 X 20	Cap Screw (package of 10)	1.90
47	A3122	822420	Key	16.00
48	A0839q	M6 X 15	Cap Screw (package of 10)	7.90
49	A4708	822418E	Guide Holder	429.00
50	A4712	822414	Upper Bearing Unit	799.00
58	A4716a	AN03	Crown Nut	9.90
59	A4717a	AW03	Crown Washer	0.90
60	A4718a	822398	Seal	6.90
61	A9452	7932023	Bearing	269.00
62	A4703	811832A	Worm Shaft A, Long	399.00
N/A	A4699	822384B	Span Ring Holder	199.00
63	A9422	6001Z	Bearing	9.78
64	A4713a	822437a	Span Ring Holder	112.00
65	A4714a	RFN8006	Span Ring -12x15	17.90
66	A4715a	822436B	Spacer	6.90
67	A4702	822439B	Point Shaft (Driven Side)	319.00
68	A0828a	M6 X 20	Button Head (package of 10)	\$1.90
69	A08390	M5 X 30	Cap Screw (package of 10)	2.00
N/A	A4705a	74379643	Worm Wheel - Upper - Vipros K	399.00
N/A	A4707	7932087A	Brake Cylinder	289.00
N/A	A4708a	812215a	Guide Holder-Pega 244 Thin Turret	399.00
N/A	A4708b	8022227D	Guide Holder - Pega 344, 357 Thin	399.00
N/A	A4719	822308	Nut	19.90
N/A	A4720	AW10	Washer	3.90
N/A	A4722	7016CYDB	Bearing - set of 2: 74312417	319.00
N/A	A4723	822411A	Bearing Retainer Key	19.00
N/A	A4724	822410	Bearing Retainer	89.00
N/A	A4726	75427828	Cylinder – Used to Raise A/I	189.00
N/A	A4725	STW22	Snap Ring – STW22	1.00

PNEUMATIC





Alternative Parts Inc.

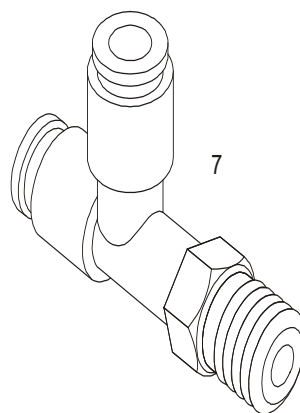
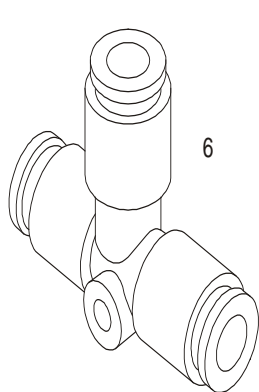
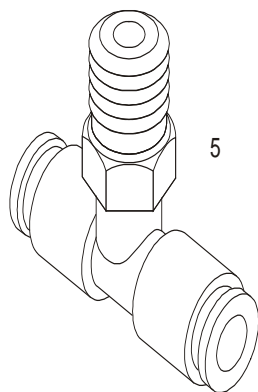
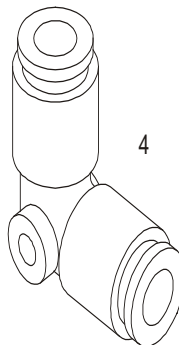
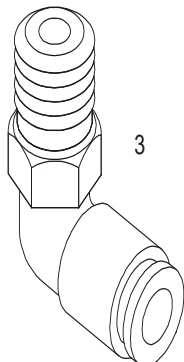
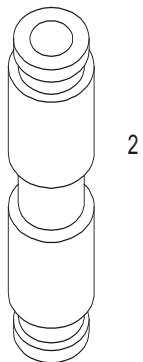
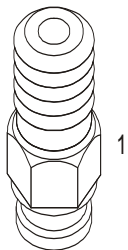
REPLACEMENT PARTS FOR AMADA MACHINERY
7 Sawgrass Drive, Bellport, NY 11713 • www.ALTPARTS.COM

Toll Free
888-882-6001

TUBING FITTINGS

To Determine NPT Size		
Outside Diameter Measurement		NPT Size
3/8"	=	1/8"
1/2"	=	1/4"
5/8"	=	3/8"
3/4"	=	1/2"

To Determine Tube Size		
Outside Diameter Measurement		Metric Tube Size
.2362	=	6mm
.3150	=	8mm
.3937	=	10mm
.4724	=	12mm



WHEN ORDERING:

- A) Find correct fitting from above drawing
- B) To determine tube size - measure outside diameter of tube
- C) To determine NPT size - measure outside diameter - USE CONVERSION CHART



Alternative Parts Inc.

REPLACEMENT PARTS FOR AMADA MACHINERY
7 Sawgrass Drive, Bellport, NY 11713 • www.ALTPARTS.COM

Toll Free
888-882-6001

TUBING

API Drawing #	API Part #	AMADA Drawing #	Description	Price
N/A	A4111	6 X 4	Metric Tubing 6 x 4	\$1.99
N/A	A4112	8 X 5	Metric Tubing 8 x 5	2.09
N/A	A4113	10 X 6	Metric Tubing 10 X 6	2.49
N/A	A4114	12 X 8	Metric Tubing 12 X 8	2.79
N/A	A4115	M4 X 2.4	Tubing	.75 per ft

TUBING FITTINGS

API Drawing #	API Part #	AMADA Drawing #	Description	Metric Tube	NPT Size	Price
1	A4120	N/A	Male Connector	6	M5x0.8	\$5.40
1	A4121	N/A	Male Connector	6	1/8	5.90
1	A4122	Kqh-04-02s	Male Connector	4	1/4	5.90
1	A4123	N/A	Male Connector	6	1/4	6.90
N/A	A4124	N/A	AS2002F-06 Inline Flow Control			23.00
1	A4125	N/A	Male Connector	8	1/8	6.90
1	A4127	N/A	Male Connector	8	1/4	7.90
1	A4129	N/A	Male Connector	8	3/8	8.90
1	A4132	N/A	Male Connector	10	1/8	10.90
1	A4130	N/A	Male Connector	10	1/4	8.90
1	A4131	N/A	Male Connector	10	3/8	10.90
1	A4133	N/A	Male Connector	10	1/2	11.90
1	A4135	N/A	Male Connector	12	1/4	11.90
1	A4137	N/A	Male Connector	12	3/8	12.90
1	A4139	N/A	Male Connector	12	1/2	13.90
2	A4141	N/A	Straight Union	6	N/A	3.90
2	A4143	N/A	Straight Union	8	N/A	7.90
2	A4145	N/A	Straight Union	10	N/A	8.90
2	A4147	N/A	Straight Union	12	N/A	9.90
N/A	A4148	KQU06-00	"Y" Union	6	N/A	6.59
3	A4151	N/A	Male Elbow	6	M5x0.8	5.40
3	A4153	N/A	Male Elbow	6	1/8	5.90
3	A4155	N/A	Male Elbow	6	1/4	5.75
3	A4157	N/A	Male Elbow	6	3/8	7.90
3	A4159	N/A	Male Elbow	8	1/8	6.90
3	A4161	N/A	Male Elbow	8	1/4	7.90
3	A4163	N/A	Male Elbow	8	3/8	8.90
3	A4165	N/A	Male Elbow	10	1/4	9.90
3	A4167	N/A	Male Elbow	10	3/8	10.90
3	A4169	N/A	Male Elbow	10	1/2	11.90
3	A4171	N/A	Male Elbow	12	1/4	11.90
3	A4173	N/A	Male Elbow	12	3/8	12.90
3	A4175	N/A	Male Elbow	12	1/2	13.90
4	A4181	N/A	Union Elbow	6	N/A	5.90
4	A4183	N/A	Union Elbow	8	N/A	7.90
4	A4185	N/A	Union Elbow	10	N/A	9.90
4	A4187	N/A	Union Elbow	12	N/A	11.90



TUBING FITTINGS

API Drawing #	API Part #	AMADA Drawing #	Description	Metric Tube	NPT Size	Price
N/A	A4078	N/A	Flow control 1/4 NPT	6	1/4	\$20.90
N/A	A4079	N/A	Flow control 1/8 NPT	6	1/8	18.90
5	A4189	N/A	Branch Tee	6	N/A	6.40
5	A4190	N/A	Branch Tee	6	N/A	6.90
5	A4191	N/A	Branch Tee	6	M5x0.8	6.40
5	A4193	N/A	Branch Tee	6	1/8	6.90
5	A4195	N/A	Branch Tee	6	1/4	7.90
5	A4197	N/A	Branch Tee	6	3/8	8.90
5	A4201	N/A	Branch Tee	8	1/8	8.90
5	A4203	N/A	Branch Tee	8	1/4	9.90
5	A4205	N/A	Branch Tee	8	3/8	10.90
5	A4207	N/A	Branch Tee	10	1/4	10.90
5	A4209	N/A	Branch Tee	10	3/8	11.90
5	A4211a	N/A	Branch Tee	10	1/2	12.90
5	A4213	N/A	Branch Tee	12	1/4	12.90
5	A4215a	N/A	Branch Tee	12	3/8	14.90
5	A4217	N/A	Branch Tee	12	1/2	14.90
6	A4221	N/A	Union Tee	6	N/A	6.40
6	A4223	N/A	Union Tee	8	N/A	8.90
6	A4225	N/A	Union Tee	10	N/A	10.90
6	A4227	N/A	Union Tee	12	N/A	12.90
7	A4231	N/A	Male Run Tee	6	M5x0.8	6.40
7	A4233	N/A	Male Run Tee	6	1/8	6.90
7	A4235	N/A	Male Run Tee	6	1/4	7.90
7	A4237	N/A	Male Run Tee	6	3/8	8.90
7	A4239	N/A	Male Run Tee	8	1/8	7.90
7	A4241	N/A	Male Run Tee	8	1/4	8.90
7	A4243	N/A	Male Run Tee	8	3/8	9.90
7	A4245	N/A	Male Run Tee	10	1/4	9.90
7	A4247	N/A	Male Run Tee	10	3/8	10.90
7	A4249	N/A	Male Run Tee	10	1/2	11.90
7	A4251	N/A	Male Run Tee	12	1/4	12.90
7	A4253	N/A	Male Run Tee	12	3/8	13.90
7	A4255	N/A	Male Run Tee	12	1/2	14.90
7	A4256	N/A	Triple Fitting RG	6	M5x0.8	18.90
7	A4257	N/A	Double Fitting	6	1/8	13.90



Alternative Parts Inc.

REPLACEMENT PARTS FOR AMADA MACHINERY
7 Sawgrass Drive, Bellport, NY 11713 • www.ALTPARTS.COM

Toll Free
888-882-6001

AIR COMPONENTS

API Part #	AMADA Drawing #	Description	Price
A10331	821116	Swivel Stopper Plate	\$79.00
A1033A	801080	Swivel Body Assembly	289.00
A4003	J2773B5001	Ross Valve Complete Assembly 110v	456.00
A4004	J2773-A-4950	Ross Valve Complete Assembly	449.00
A4005	J2773-B-5952	Ross Valve Complete Assembly 24v	436.00
A4006	75417108	Ross Valve Complete Assembly (Aries)	1565.00
A4009	101K77/946K87	Ross Rebuild Kit Upper	75.00
A4012	496K87	Ross Rebuild Kit Lower	85.00
A4013	75417100	Ross Valve Rebuild Kit 541K77	189.00
A4015	411B04-110	Ross Valve Solenoid Coil 100VAC	89.00
A4016	411B041624	Ross Valve Solenoid Coil -24 VDC	89.00
A4017	QV2/QV4	QV2 -15 Diaphragm	20.00
A4018	QV2-15	QV2 -15 Unit	99.00
A4019	AN120-M5	Silencer	7.90
A4020	79301798	Silencer	9.90
A4021	SS-40A/ 74310230	Silencer Muffler SS-40A	69.00
A4022	SS-25A	Silencer Muffler SS-25A	79.00
A4023	SS-15A 1/2"	Silencer Muffler SS-15A	26.00
A4025	SS-15AA 3/4"	Silencer Muffler L 3.8" D 1.3	21.00
A4026	L3000	Lubricator L3000 - 10	106.00
A4027	AR5000-N10	Regulator NAR-5000	89.00
A4028	AR4000-N06	Regulator NAR-4000	89.00
A4029	AR2000-N02	Regulator NAR-2000	27.90
A4029b	74309211	Regulator Gauge for NAR-2000 1/8"	27.90
A4030	74163209	Regulator AR400 / AR401 / AR410	76.00
A4031	EFR-10	Regulator	185.00
A4032	MFR-15	Regulator	179.00
A4033	AW2000-N02	Regulator AW-2000	49.00
A4034	SFR08	Filter-Regulator SFR-08	139.00
A4035	74309211	Pressure Gauge	17.90
A4036	36003103	Regulator/Lubricator AU-200	189.00
A4036a	36003199	Pressure Gauge AU-200	19.00
A4037	W3000 / 74398175	Filter/Regulator W3000 (w3000-10-x1)	117.00
A4038	N/A	Filter Element for W3000	10.80
A4038a	O-ring	W3000 – O-Ring	4.00
A4039	AL3000-N03	Lubricator NAL3000	97.00
A4040	AL400-N06	Lubricator NAL 400 / NAL401 / NAL410	97.00
A4040a	NAL-4000-n04-3	Lubricator AI40-n04-3z	69.00
A4041A	L4000-10-MS4X1	Lubricator Vipros 255 Air Blow	599.00
A4042	AL2000-N02	Lubricator NAL 2000	62.00
A4043	N/A	Lubricator Bowl & Guard AL400	39.00
A4044	EAL-10	Lubricator EAL-10	159.00
A4045	74162380	Lubricator MAL-15	125.00
A4046	SAL08	Lubricator SAL-08	84.00
A4047	74210005	Lubricator	899.00
A4048	N/A	Sight Glass For L4000/L3000	50.00
A4049	N/A	Rebuild Kit Auto Index Brake	27.90
A4050	AF400-06	Air Filter AF400 / AF401 / AF410	76.00
A4051	7931001	Air Filter Bowl & Guard AF400	42.00
A4051a	75419196	Air Filter Bowl & Guard SFR-08	79.00
A4051b	N/A	Air Filter Bowl & Guard AU200	39.00
A4052	74162330	Air Filter Rebuild Kit AF400	27.90
A4053	31113515	Air Filter NAF 2000	27.90
A4054	74162381	Air Filter MAF15	139.00



Alternative Parts Inc.

REPLACEMENT PARTS FOR AMADA MACHINERY
7 Sawgrass Drive, Bellport, NY 11713 • www.ALTPARTS.COM

Toll Free
888-882-6001

AIR COMPONENTS - continued

API Part #	AMADA Drawing #	Description	Price
A4054a	74162387	Air Filter Element MAF 15	\$39.90
A4055	74369198/EFR-10	EFR-10/ Bowl & Guard	96.00
A4056	74360919	Air Filter Element for W4000	9.90
A4056a	AF4000-04/af40-04	Air Filter AF4000	79.00
A4057	CDQ-2B63	Anti-Defect Cylinder	323.00
A4058	CAIG8001	Reposition Hold Down Cylinder	285.00
A4059	826536/74305805	Reposition Hold Down Cylinder Pad	11.90
A4060	CAG-80-50	Reposition Hold Down Cylinder	266.00
A4061	CVPT63-110-1	Sheet Support Cylinder (shears)	675.00
A4062	74381558/74382749	Cylinder to move striker	254.00
A4063	JA25-10-150	Floating Joint X-Gauge Block	69.00
A4066	74366892	Air Cylinder-Vipros King	199.00
A4067	74365527	Air Cylinder	56.00
A4067a	T5H3	Air Cylinder-Switch-T5H3 Free Bearing	19.00
A4068	74204341	Piston Octo Die Holder CM2D40	119.00
A4069	CMB40 X 150	Tool Bal-Cylinder-Short 150MM	199.00
A4070	SCBD 40 x 300ST	Tool Balancer-Cylinder-Long	389.00
A4071	SCBD 40 x 150ST	Tool Balancer-Cylinder-Short	399.00
A4072	SA-8	Tool Balancer-Silencer	11.90
A4073	RB1W-14	Tool Balancer-Ring Ball	35.00
A4074	480897	Tool Balancer-Knob	29.90
A4075	4 1/2", 3 1/2"	Tool Balancer-Controller	34.90
A4076	74192808	Air Cylinder – Air Blow	179.00
A4077	75412441	Index-Pin Cylinder	355.00
A4080	CDQ2B-32-40D	Striker Cylinder	299.00
A4081	CD10S-S1RRSD40 / 74322428	Cylinder 105-15D40 N10	156.00
A4082	79598038/SCPD2-L-00-16-60	Air Cylinder	90.00
A4083	79340371/SSD-K-32-60-N11	Air Cylinder	325.00
A4084	MRV-15	Regulator MRV-15	198.58
A4086	W4000-15N	Filter Regulator	110.00
A4087	36181545	Cylinder Flip Up Actuator	95.00
A4088	36055451	Cylinder Flip Up Actuator-Universal Elbow	3.60
A4088a	36181545/795002C	Hose Nipple for Universal Elbow	6.90
A4089	74383582/CXSM25-75	Air Cylinder	295.00
A4090	5ER-8E-10	Pneumatic Solenoid Valve 5ER-8E-10	219.00
A4091	3EC-8E-10	Pneumatic Solenoid Valve 3EC-8E-10	209.00
A4092	JR550-RMIDW	Pneumatic Solenoid: SR550 - RM1DW	325.00
A4093	74398990	Pneumatic Solenoid Valve	229.00
A4094	74368005	Pneumatic Solenoid Valve – VX-2340-02-IDZB	129.00
A4095	VQZ3154-5L0	Pneumatic Solenoid Valve	109.00
A4096	ADK11-10A	Flow Valve ADK11-10A/J2E AC 100	275.00
A4097	75417109	Pneumatic Solenoid Valve VZ4150	149.00
A4098	VF2100-1G	Pneumatic Solenoid Valve VF2100	99.00
A4099	74379099	Pneumatic Solenoid Valve Vipros 358	299.00
A4100	VF3130	Pneumatic Solenoid Valve V3103	129.00
A4101	71398418/SY7120-5M-0Z-C8-F1-X7	Solenoid Valve	190.00
A4102	36003029/AN200-02	Silencer	9.00
A4103	71360531/sy7140-5-L0Z	Solenoid Valve	79.00
A4104	71369820/SY7440-510z	Solenoid Valve	115.00



Alternative Parts Inc.

REPLACEMENT PARTS FOR AMADA MACHINERY
7 Sawgrass Drive, Bellport, NY 11713 • www.ALTPARTS.COM

Toll Free
888-882-6001

AIR COMPONENTS – continued

API Part #	AMADA Drawing #	Description	Price
A4105	79313247	Solenoid Valve VS7-6-FPG-D3ZA03	\$357.00
A4106	71360491	Air Direction Valve	275.00
A4107	79340503/INO-4583-1	Air Ejector	29.00
A4108	43113944	VFS2110-1DZ	126.00
A4109	74569696	SSD-40-40	257.00
A4110	74569660	SSD-L-80-30-T2H3	399.00
A4116	74598452	Filter unit F3000-10	55.00
A4116a	81100318	F3000-10 Filter Element	11.00
A4117	V3000-15	3 Way shut off valve	72.00
A4118	V3010-10	3 Way Lock out valve	108.00
A4119	79398215	4gb119-00-e2h3	137.00
A4259	74399267	105-65D40 N40	189.00
A4260	71294681	Vqz3251-5-mo1	189.00
A4261	74382100	Vp342-1dz-02a	289.00
A4262	74562440	Vqz2351-1L1-02	149.00
A4263	7931022/74329416	Cq2b50-01-59944(striker cylinder pega 244)	399.00
A4264	74381950	Air Cylinder/ssd-25-15	79.00
A4265	74568610	Air Cylinder/ssd-l-25-15	109.00
A4266	AL-40-04-R	Lubricator	48.60
A4267	AF-40-04-R	Filter Unit	48.60
A4268	C300F	Bowl & Guard	19.00
A4269	113-010-5B	Element(AU200)	11.00
A4270	74590105	Air Cylinder Cdm2b32-30	165.00
A4271	VZ2250-1mo	Solenoid Valve	98.00
A4272	Vep3121-1-03/86271906	Solenoid Valve	329.00
A4273	4kb219-l-fl-196199	Solenoid Valve (24v Dc)	199.00
A4274	Vxd-2130f-02-1ds-b	Solenoid Valve	98.00
A4275	71370272	Air Cylinder Scm-ta-63d-125-toh-d	389.00
A4276	71370272a	Seal Kit / Rebuild Kit for Scm-ta-63d-125-toh-d	59.00
A4277	79577402	Solenoid Valve 4KB310-00-LS	149.00
A4278	SSD-KL-25-30-T5H5-H	Air Cylinder	215.00
A4279	CDBA2T63-180-RN	Air Cylinder	356.00
A5379	71366107 / 7972552	Pressure Regulator 10294 JNU	499.00
A8229	827551	Pneumatic Hose – Air Clutch to Valve	59.00
A8234	74166008/82757B	Hose (13ft)	136.00
A8702	P550006022	Air Cylinder SSD-25-15	79.00
A8735	79393044	Vacuum Pad for Loader	25.00



Alternative Parts Inc.

REPLACEMENT PARTS FOR AMADA MACHINERY
7 Sawgrass Drive, Bellport, NY 11713 • www.ALTPARTS.com

Toll Free
888-882-6001

STRIKER PARTS

API Part #	AMADA Drawing #	Description	Price
A4064	7931022	Striker Cylinder -New	\$299.00
A4064a	CQ2B40 X 40	Striker Cylinder CQ2B40 - 40DF	149.00
A4065	N/A	Striker Cylinder -Rebuild Kit-New	19.00
A4080	CDQ2B-32-40D	Striker Cylinder	299.00
A4263	7931022/74329416	Cq2b50-01-59944(striker cylinder pega 244)	399.00
A4840	6043138 / 7416093	Shear Plate - Aries 245 / Aries 222, 2.199 X .126	30.00
A4842	480333 / 74160201	Shear Plate - Coma, 3.307 X .472	69.00
A4843	74160201	Shear Plate - Coma Plasma - 8M	69.00
A4843A	74512699	Shear Plate - 12M	59.00
A4844	821927/ 74160216	Shear Plate - 30 Ton Old, 3.306 X .295	43.00
A4845	6048199/75410921	Shear Plate - 30 Ton New, 3.144 X .157	49.00
A4845A	75412441	Shear Plate - EM 30 ton/EM 20 ton	49.00
A4846	811986	Shear Plate - 20 Ton, 3.148 X .236	59.00
A4847	6571084	Shear Plate 30 Ton - 1994 only, 3.302 X .158	76.00
A4848	6593389	Striker Punch	99.00
A4849	6017481/74302740	Striker Old Type Air Blow	109.00
A4850	822041/ 821598	Striker Punch - Old, 3.320 X 1.376	79.00
A4851	6575875	Striker Punch - New, 3.320	125.00
A4852	811756	Striker Punch - Thin, 5.990	98.00
A4853	821598	Striker Punch - Coma Plasma	135.00
A4854	6048195	Striker Punch - Aries 245	99.00
A4855	6043136	Striker Punch	199.00
A4856	811984	Striker Punch - Pega 244, 2.780 X 1.377	99.00
A4857	75410922/6048198	Back up Plate EM 30 Ton	109.00
A4858	74160242/657587B	Back up Plate EM 20 Ton	52.00
A4859	480332	Back Up Plate - Coma	79.00
A4860	74160030	Back Up Plate - Coma Plasma, 3.306 X .315	79.00
A4861	821926	Back Up Plate - 30 Ton Old	79.00
A4862	6575873	Back Up Plate - 30 Ton New, 3.148 X .629	52.00
A4863	811985	Back Up Plate - 20 Ton, 3.148 X .432	59.00
A4865	N/A	Striker Shoulder Bolt - Octo	49.00
A4875	822045 / 74160217	Striker Piston	168.00

LUBRICATION





Alternative Parts Inc.

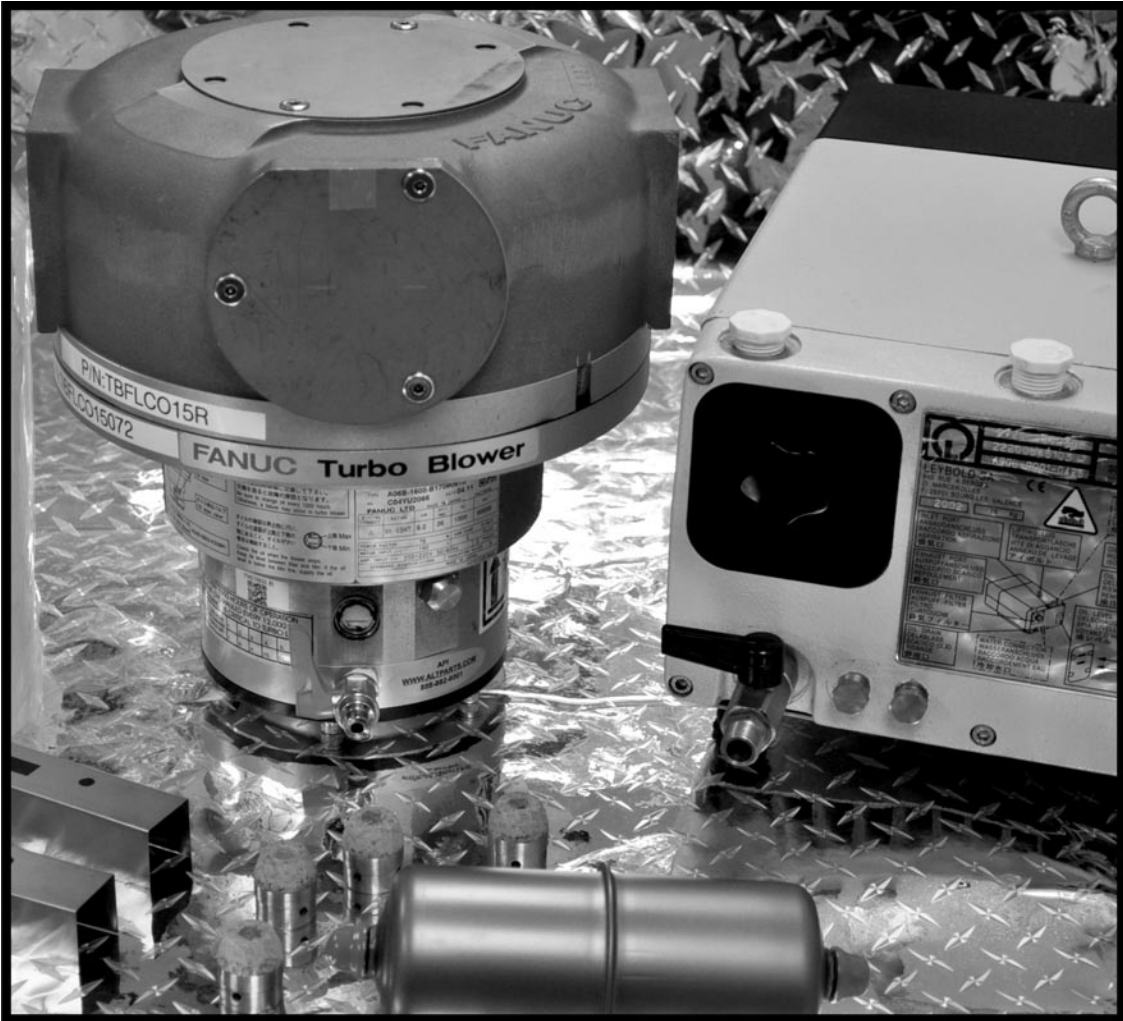
REPLACEMENT PARTS FOR AMADA MACHINERY
7 Sawgrass Drive, Bellport, NY 11713 • www.ALTPARTS.COM

Toll Free
888-882-6001

LUBRICATION

API Part #	AMADA Drawing #	Description	Price
A5036	SK505	Pump	\$519.00
A5040	U4M	Distribution Block- Aries	221.60
A5041	U84MA2	Distribution Block - Pega / Vela / Coma	225.00
A5047	U8RM	Distribution Block - Octo	245.00
A5048	N/A	Distribution - Conversion Kit	349.00
A5048a	6M x 1/4	Straight Fitting	4.00
A5048b	6M x 1/8	Straight Fitting	4.00
A5048d	6M x 1/8	90 Degree Elbow	9.00
A5048E	6 X 10M	Copper Tube 10 Meter Co.1	79.00
A5051	M6716-6	Flex Lines 32" Length 4mm	59.00
A5052	M6716-6	Flex Lines 12" Length 6mm	25.60
A5059	6M X 4M	Copper Tubing 12' Length 6mm	94.80
A5062	74161906	Grease Pump Reservoir Bowl - New Style	89.00
A5067	U84MA2	Distribution Limit Switch	91.00

LASER PRODUCTS





Alternative Parts Inc.

REPLACEMENT PARTS FOR AMADA MACHINERY
7 Sawgrass Drive, Bellport, NY 11713 • www.ALTPARTS.COM

Toll Free
888-882-6001

LASER CONSUMABLES

API Part #	AMADA Drawing #	Description	Price
A1036	RTW-37	Snap Ring	\$2.00
A4101	71398418/SY7120-5m-0z-c8-f1-x7	Solenoid Valve	190.00
A4103	71360531/SY7140-5-L0Z	Solenoid Valve	79.00
A4104	71369820/SY7440-510Z	Solenoid Valve	115.00
A4280	MB63-PS	Cylinder Repair Kit	35.00
A5299	71363551	Laser Roller	675.00
A5299a	71361047 / 1664490	Laser Roller 1212	565.00
A5300	81141003	Optic Wipes	21.90
A5301	71198998	Vacuum Pump Oil (1qt)	79.00
A5301a	A98L-0040-0093/1.0L	Vacuum Pump Oil Busch	79.00
A5302	711999197	Vacuum Pump Filter	149.00
A5302A	A98L-0001-0674/1	Vacuum Pump Filter Busch	69.00
A5303	71679849	Cleaner (Mirror)	27.50
A5305	71679859	LASER CHILLER WATER ADDITIVE ISO GUARD	99.90
A5305a	71679859	Pump Rebuild Kit	199.00
A5306	A04B-0800-K326	Blower Oil Kit	85.00
A5307	A90L-001-0425R	Vacuum Pump -Leybold: Reconditioned	1,700.00
A5308	71398016	Vacuum Grease	149.00
A5309	N/A	Mode Burn Block (2 x 2 x 2)	20.00
A5309a	N/A	Mode Burn Block (1 x 6 x 12)	20.00
A5310	71199105	Lithium Battery	19.90
A5312	71519814	Orion 5000hr kit	750.00
A5313	71519815	Orion 10,000 hr kit	2,050.00
A5314	71121999	Chiller Filter R50-BB	20.00
A5315	71198165	Torrit filter Adfo 2-8	185.00
A5316	71198078	Torrit filter ADF-4	110.00
A5317	71519805	Orion Water Cartridge	165.00
A5318	FUFL-115B-2	Laser Gas Filter 2	99.00
A5319	FUFL-915-6.3-.5	Laser Gas Filter .5	185.00
A5340	N/A	Optic Cleaning Kit	60.00
A5379	71366107/7972552	Fairchild Regulator	499.00
A5380	A97L-0201-0211	Filter	89.00
A5385	81100173	Beam Purge Filter	82.00
A5386	7972444	Sensor HS-95	699.00
A5400	71363271	Scrapper 1664502A	39.00
A5401	71550113	Scrapper 1664537A	39.00
A6893	A98L-0031-0007-25134	Battery- 18control	49.00
A6897	A50L-2001-0257/f	Diode pack	34.99
A8700	71360993	Table Rollers	22.00
A9157	71361052	Synchronous Belt	30.00
A9443a	6904 ZZ	Bearing	9.90
n/a	N/A	Fanuc Turbo Blower Replacement	call for pricing



Alternative Parts Inc.

REPLACEMENT PARTS FOR AMADA MACHINERY
7 Sawgrass Drive, Bellport, NY 11713 • www.ALTPARTS.com

Toll Free
888-882-6001

LASER NOZZLES & GASKETS

API Part #	AMADA Drawing #	Description	Price
A5200	71369819	Vespel Washer (ECO cone)	\$3.89
A5201	S-20	O-Ring Inner / Clean Cut	3.25
A5202	S-14	O-Ring Outer Nozzle	1.99
A5203	71341690	O-Ring Kit	9.00
A5204	71341682	O-Ring for 71341682	.50
A5205	71341614a / 1669779	HS-2000 Ceramic Washer	9.50
A5206	62094006	Ring Vespel	5.00
A5207	71512355 / 71109695	Lens Gasket	19.00
A5208	71366091	O-Ring Double WACS	19.00
A5209	71361393 / 71109695	Lens Gasket	19.00
A5210	71360264 / 6544701	Teflon Ring	17.00
A5599	71502036	Nozzle Holder (Gemini & NT Machines)	275.00
A5600	71341781 / 1572366	Nozzle .8mm Single Mushroom ECO	11.95
A5601	71369812 / 71369881	Nozzle 1.2mm Single Mushroom ECO	11.80
A5602	71369815 / 1572362	Nozzle 2.0mm Single Mushroom	11.80
A5603	71369816 / 1572362 / HG10.612	Nozzle 3.0mm Single Mushroom ECO	11.80
A5604	71461028 / 1576410a	Nozzle 1.2mm Single Mushroom H.C.	32.00
A5605	71501056 / 1572368B	Nozzle 1.5mm Single Mushroom H.C.	39.00
A5606	71501057 / 1576411a	Nozzle 2.0mm Single Mushroom ECO	11.00
A5607	71501058 / 1576412a	Nozzle 3.0mm Single Mushroom ECO	11.00
A5608	71501059 / 1576398	Nozzle 2.5mm Single Mushroom ECO	11.00
A5609	1572362-1.4 / 71369812	Nozzle 1.4mm Single Mushroom ECO	11.00
A5610	1572362-4.0	Nozzle 4.0mm Single Mushroom ECO	11.00
A5611	71369812-1.0	Nozzle 1.0mm Single Mushroom ECO	11.00
A5612	71369812-1.6	Nozzle 1.6mm Single Mushroom ECO	11.00
A5613	71369815-4.0 / 1572362	Nozzle 4.0mm Single Mushroom	11.00
A5614	71461028B	Nozzle 1.2mm Single Mushroom H.C.	32.00
A5615	71369816-3.5 / 1572362	Nozzle 3.5mm Single Mushroom ECO	11.00
A5616	1572361 / 71369813	Nozzle 1.2mm Double Mushroom ECO	14.92
A5617	71369813 / 1572361 / HG10.592	Nozzle 1.4mm Double Mushroom ECO	15.00
A5618	71369817 / 1300238	Nozzle 4.0mm Double Mushroom ECO	15.00
A5619	71461029 / 1576396a	Nozzle 1.4mm Double Mushroom H.C.	59.00
A5620	71501060 / 1576399	Nozzle 4.0mm Double Mushroom ECO	15.00
A5621	71369813-1.4 / 1572361-1.4	Nozzle 1.4mm Double Mushroom ECO	15.00
A5622	71461029B / 1576396a	Nozzle 1.4mm Double Mushroom H.C. Brass	61.00
A5623	71369813-2.0	Nozzle 2.0mm Double Mushroom	13.75
A5624	71369813-2.5 / 1572361-2.5	Nozzle 2.5mm Double Mushroom	13.75
A5625	71369813-3.0 / 1572361-3.0	Nozzle 3.0mm Double Mushroom	13.75
A5626	71461026-1.2	Nozzle Mushroom Double Shower 1.2mm	106.00
A5627	71461026-2.0	Nozzle Mushroom Double Shower 2.0mm	106.00
A5628	71461026-1.5	Nozzle Mushroom Double Shower 1.5mm	106.00
A5629	71341682/6551218/1667117	Nozzle 2.5mm Double WACS	16.00
A5630	71369806 / 1300268	Nozzle 3.8mm Double WACS	18.99
A5631	71461158/9003352/71502040	Nozzle 4.0mm Double WACS	96.00
A5632	71502039	Nozzle 2.5mm Double WACS	96.00
A5633	71341682-1.5	Nozzle 1.5mm Double WACS	15.00
A5634	71341682-2.0	Nozzle 2.0mm Double WACS	15.00
A5635	71341682-3.0	Nozzle 3.0mm Double WACS	15.00
A5636	71341682-3.8	Nozzle 3.8mm Double WACS	15.00
A5637	71341682-4.0	Nozzle 4.0mm Double WACS	15.00
A5638	1664545u-0.8R	Nozzle 0.8mm W/ Ring	15.75
A5639	1664545u-1.0R	Nozzle 1.0mm W/ Ring	15.75
A5640	1664545u-1.5R	Nozzle 1.5mm W/ Ring	15.75



Alternative Parts Inc.

REPLACEMENT PARTS FOR AMADA MACHINERY
7 Sawgrass Drive, Bellport, NY 11713 • www.ALTPARTS.com

Toll Free
888-882-6001

LASER NOZZLES & GASKETS - continued

API Part #	AMADA Drawing #	Description	Price
A5641	71341610R	Nozzle 2.0mm W/ Ring	\$15.00
A5642	71360142R	Nozzle 3.0mm W/ Ring	16.00
A5643	1300236 / 71369809	Nozzle 1.4mm W/ Insert	17.75
A5644	1300266 / 71369810	Nozzle 1.4mm WACS Single Inner Chrome	15.00
A5645	71101901 / 841142c	Inner Nozzle 2.0mm (water)	12.00
A5646	71101902	Inner Nozzle 1.5mm (water)	12.00
A5647	71101905 / 841143b	Outer Nozzle (667, 664)	27.00
A5648	71298020 / 6551143	WACS Single Inner 3.0mm	16.00
A5649	71341684 / 651148a	WACS Outer Nozzle	39.00
A5650	71366096 / 6551169	WACS Single Inner 2.0mm	14.49
A5651	71101902-1.8	Inner Nozzle 1.8mm (water)	12.00
A5652	71101901-1.3	Inner Nozzle 1.3mm (water)	12.00
A5653	71101901-1.0	Inner Nozzle 1.0mm (water)	12.00
A5654	71341680/71341772/1669864	Nozzle Double 2.5mm	19.00
A5655	71341681 / 1669795	Nozzle Double 4.0mm	18.50
A5656	71369809 / 1300236	Nozzle Double 1.5mm	18.00
A5657	71369811 / 1300250	Nozzle Double 1.2mm	18.00
A5658	1664545u-1.5R	Nozzle Double 1.5 W/ Ring	19.98
A5659	71341680-4.0	Nozzle Double 4.0mm	18.50
A5660	71341680-3.5	Nozzle Double 3.5mm	18.50
A5661	71341680-3.0	Nozzle Double 3.0mm	18.50
A5662	71341680-2.0	Nozzle Double 2.0mm	18.50
A5663	71101999 / 71192458	Clean Cut Nozzle 2.0mm	39.00
A5664	71102000 / 845745	Clean Cut Nozzle 1.5mm	39.00
A5665	71102000-1.5	Clean Cut Nozzle 1.5mm	36.00
A5666	71102000-1.75	Clean Cut Nozzle 1.75mm	36.00
A5667	71101999a	Clean Cut Nozzle 2.0mm	36.00
A5668	71101999-2.5	Clean Cut Nozzle 2.0mm (LC 667, 664)	36.00
A5669	6506892-1.5	Nozzle Apelio 1.5mm	16.75
A5670	8249301-3.0	Nozzle 3.0mm	8.99
A5671	71341515-3.0	Nozzle 3.0mm CL	8.50
A5672	71341515-1.75	Nozzle 1.75mm CL	8.50
A5673	71341610-2.5	Nozzle 2.5mm	8.50
A5674	71360142-4.0 / 71360142	Nozzle 4.0mm HS95	8.50
A5675	6506892-1.3	Nozzle Apelio 1.3mm	16.75
A5676	6506892-1.2	Nozzle Apelio 1.2mm	16.75
A5677	62094006-2.5	Nozzle 2.5mm Pulsar	8.50
A5678	1664546u	Nozzle 3.0mm	8.50
A5679	1664545u-2.0	Nozzle 2.0mm HS95	8.50
A5680	1664545u-1.5	Nozzle 1.5mm HS95	8.50
A5681	1664545u-1.2	Nozzle 1.2mm HS95	8.50
A5682	1664545u-1.0	Nozzle 1.0mm HS95	8.50
A5683	1572361-2.0 / 71369813-2.0mm	Nozzle 2.0mm ECO	15.00
A5684	71461026 / 9003351	Mushroom Shower Double 2.5mm	110.00
A5685	71360142	Nozzle 3.0 HS95	8.00
A5686	71341610	Nozzle 2.0mm	8.55
A5687	71341515 / 1507610	Nozzle 1.5mm CL	8.55
A5688	62094008/71102007/71341517	Nozzle 3.0mm	8.55
A5689	62094005/71341516/71102006	Nozzle 2.0mm AHS100	8.95
A5690	62094004 / 71102005	Nozzle 3.0mm HP	17.00
A5691	62094003 / 71102001	Nozzle 2.0mm HP	17.00
A5692	8249301	Nozzle 2.0mm	10.25
A5693	74712001 / 6506892	Nozzle Apelio 2.0mm	18.00
A5694	1507610 / 71341515	Nozzle 1.5mm AHS100	8.00



Alternative Parts Inc.

REPLACEMENT PARTS FOR AMADA MACHINERY
7 Sawgrass Drive, Bellport, NY 11713 • www.ALTPARTS.com

Toll Free
888-882-6001

LASER OPTICS & MIRRORS

API Part #	AMADA Drawing #	Description	Price
A5402	71501072-mount	Mount 1.5 OD Lens	\$285.00
A5403	81140400	Foc Lens ZnSe 1.5 x 7.5	279.00
A5404	81140389	Foc Lens ZnSe 1.1 x 7.5	214.00
A5405	81140307	Foc Lens ZnSe 2.0 x 5	540.00
A5406	81140306	Foc Lens ZnSe 1.5 x 5	279.00
A5407	81140305	Foc Lens ZnSe 1.1 x 5	209.00
A5408	81140225	Foc Lens ZnSe 1.1 x 3.75	208.00
A5409	81140221	Foc Lens ZnSe 1.1 x 3.75	325.00
A5410	81140190	Foc Lens ZnSe 1.1 x 2.5	225.00
A5411	81140186	Foc Lens ZnSe 2.0 x 7.5	515.00
A5412	81140185	Total Reflector SI 2.0 x .375	169.00
A5413	71673918	Total Reflector Moly 2.0 x .250	399.00
A5414	71501072 / 9001216a	Mount W/ Lens (5" efl)	650.00
A5415	71501070 / 9001215a	Mount W/ Lens (7.5" efl)	650.00
A5416	71371773	Phase Retarder SI 2.0	168.00
A5417	71369831	Lens Assembly 7.5 Focal Lens w/ MTA-20 mount	449.00
A5418	71369830	Lens Assembly 5.0 Focal Lens w/ MTA-20 mount	459.00
A5419	71198092/71501088/71198569	Zero Phase Shifter SI 3.0	208.00
A5419a	71198092/71501088/71198569	Zero Phase Shifter SI 3.0 (OEM QUALIFIED)	264.00
A5420	71198091 / 71341532	Phase Retarder SI 3.0	305.00
A5420a	71198091 / 71341532	Phase Retarder SI 3.0 (OEM QUALIFIED)	365.00
A5421	7198089/71198084/71198544	Zero Phase Shifter SI 2.0	106.00
A5422	A98L-0001-0617 / 71198088	Phase Retarder SI 2.0	168.00
A5423	71198087 / A98L-0001-0750	Par. Refl Ge 1.1 99.5%	385.00
A5424	71198085 / A98L-0001-0617	Phase Retarder SI 2.0	179.00
A5424a	71198088 / A98L-0001-0617	Phase Retarder SI 2.0 (OEM QUALIFIED)	225.00
A5425	71198084 / A98L-0001-0616	Zero Phase Shifter SI 2.0	106.00
A5425a	71198084 / A98L-0001-0616	Zero Phase Shifter SI 2.0 (OEM QUALIFIED)	150.00
A5426	71198083 / A98L-0001-0615	Total Reflector SI 2.0	165.00
A5426a	71198083 / A98L-0001-0615	Total Reflector SI 2.0 (OEM QUALIFIED)	215.00
A5427	71198081 / A98L-0001-0981	Par. Refl ZnSe 1.1" x .236" 60%	340.00
A5428	71198086 / A98L-0001-0742	Output Coupler (OEM QUALIFIED)	425.00
A5429	81140306 (mta-15)	Focal Lens 5.0 x 1.5 assembly	399.00
A5430	81140400 (mat-15)	Focal Lens 7.5 x 1.5 assembly	399.00
A5431	71198228 / A04B-0813-D201	Rear Mirror (OEM QUALIFIED)	715.00
A5432	71198227 / A04B-0813-D200	Output Coupler (OEM QUALIFIED)	715.00
A5434	71398600 / A98L-0003-0037	Rear Mirror (OEM QUALIFIED)	720.00
A5435	71198094 / A98L-0001-0961	Rear Mirror (OEM QUALIFIED)	715.00
A5436	71398601 / A98L-0003-0036	Output Coupler (OEM QUALIFIED)	720.00
A5437	71198087 / A98L-0001-0750	Rear Mirror (OEM QUALIFIED)	495.00
A5438	71198081 / A98L-0001-0981	Output Coupler (OEM QUALIFIED)	453.00
A5439	71198075 / A98L-0003-0019	Anti Reflective Mirror (OEM QUALIFIED)	635.00
A5440	71198093 / A98L-0001-0960	Output Coupler (OEM QUALIFIED)	715.00
A5441	71198205 / mmr-d2"-et10-6.3mcc	Concave Collimator (OEM QUALIFIED)	462.00
A5442	71198204 / mmr-d2"-et10-5.0mcc	Convex Collimator (OEM QUALIFIED)	462.00
A5443	71198230 / A04B-0815-D201	Output Coupler (OEM QUALIFIED)	710.00
A5444	71198131 / A98L-0001-0757/B	Rear Mirror (OEM QUALIFIED)	699.00
A5445	71198198 / mmr-d2"-et10-5.3mcc	Concave Collimator (OEM QUALIFIED)	462.00



Alternative Parts Inc.

REPLACEMENT PARTS FOR AMADA MACHINERY
7 Sawgrass Drive, Bellport, NY 11713 • www.ALTPARTS.COM

Toll Free
888-882-6001

LASER SENSOR HEADS & CABLES

API Part #	AMADA Drawing #	Description	Price
A5286	71341520 / 6203500b	Cap Sensor I	Call for pricing
A5287	567011	HS95 Sensor Head 2"	\$699.00
A5288	71341622 / 7630470	HS Sensor Cone	1,029.00
A5289	71341634 / 7630374a	HS 98 Sensor Head 5"	2,265.00
A5290	71341687 / 7972590	HS 95 WACS Head	2,183.00
A5291	71341690 / 7972558a	HS 98 Sensor Head	1,043.00
A5292	71360090	HS 95 Centering Ring	115.00
A5293	71360097 / 7972444	HS 95 Sensor Head	734.00
A5294	71369851	Z Axis Cable HS 15	189.00
A5295	71374509	Sensor Head HS 95 7.5"	2,400.00
A5296	71398293 / 71398965	HS 95 / HS 98 Cable 12"	199.00
A5296a	71398695	HS 95 / 98 Panel Jack	20.00
A5297	71399107 / 7972840	Sensor Head Eco Gemini	998.00

FANS

API Part #	AMADA Drawing #	Description	Price
A6734	N/A	3000c Control Rack Fan	\$149.00
A6739	A90L-0001-0349	Cooling Fan 230V AC 92mm Sq x 25mm Deep	89.00
A6740	A90L-0001-0219/A	Cooling Fan 230V AC 119mm Sq x 38mm Deep	89.00
A6741	A90L-0001-0508	Cooling Fan 60mm Sq. 24V DC	85.00
A6742	A90L-0001-0422	Cooling Fan	45.00
A6743	A90L-0001-0423#105SX	Cooling Fan 60mm Sq. x 15mm deep	40.00
A6744	A90L-0001-0385#TX	Cooling Fan	75.00
A6745	20312051120	Orion Chiller Fan	2,100.00



Alternative Parts Inc.

REPLACEMENT PARTS FOR AMADA MACHINERY
7 Sawgrass Drive, Bellport, NY 11713 • www.ALTPARTS.COM

Toll Free
888-882-6001

BELLOWS

API Part #	AMADA Drawing #	Description	Price
A5800	71512104	FO X-Axis Bellow	\$3,500.00
A5801	71512323	FO Z-Axis Bellow	1,050.00
A5802	71362943	LCV 3015 X-Axis Bellow	1,250.00
A5803	71512103	FO Gemini Y-Axis Bellow	2,700.00
A5804	N/A	Y-Axis Bellow 2415A II	2,400.00
A5805	71502051	Optical Axis Bellow	7,500.00

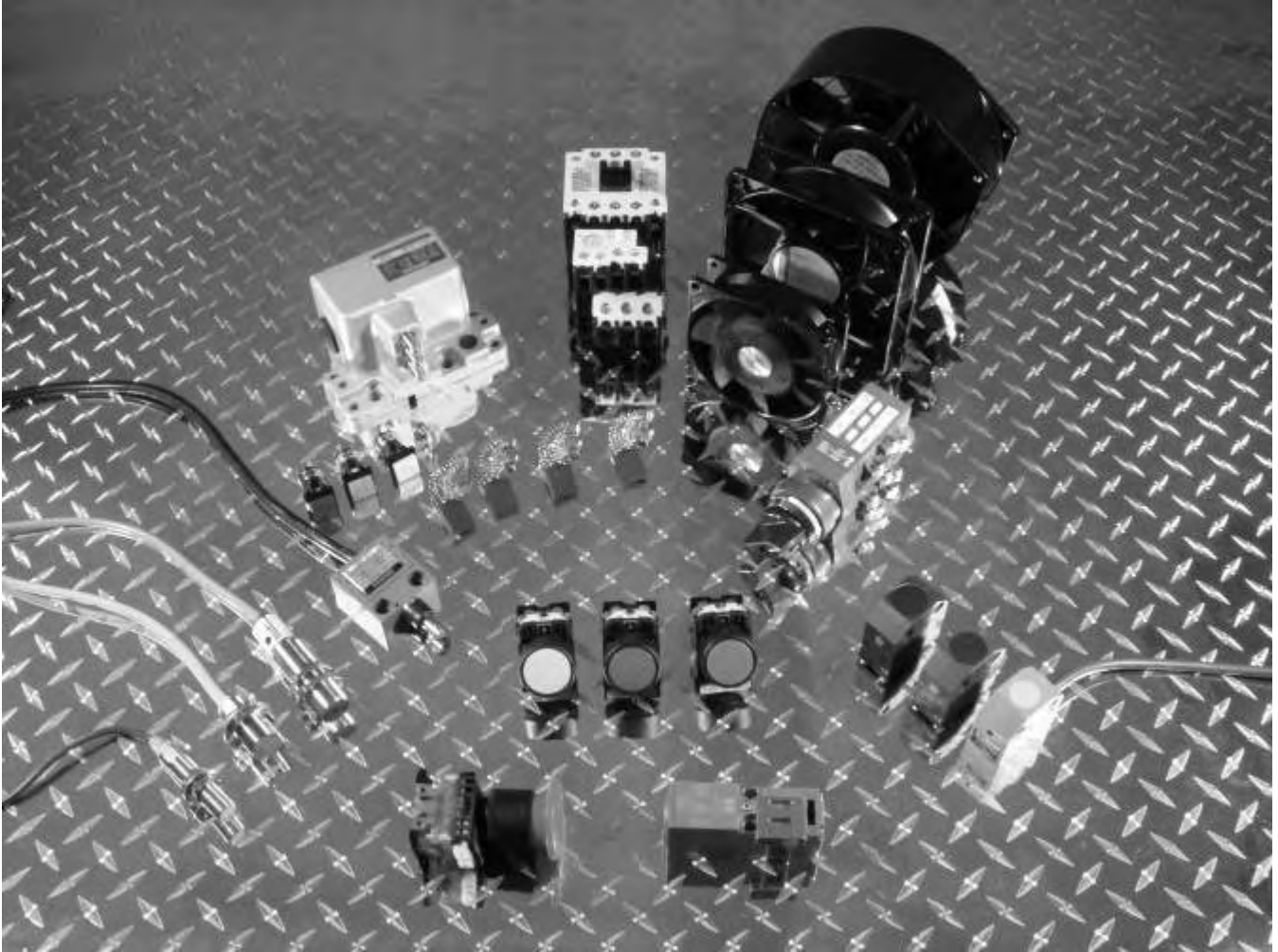
TURBO BLOWERS & VACUUM PUMPS

API Part #	AMADA Drawing #	Description	Price
A5105	A04B-0800-C005	Fanuc Turbo Blower	Call for pricing
A5107	A04B-0800-C007	Fanuc Turbo Blower	Call for pricing
A5109	A04B-0800-C009	Fanuc Turbo Blower	Call for pricing
A5111	A04B-0800-C011	Fanuc Turbo Blower	Call for pricing
A5115	A04B-0800-C015	Fanuc Turbo Blower	Call for pricing

POWER SUPPLIES & CONTROLS

API Part #	AMADA Drawing #	Description	Price
A6642	A61L-0001-0168/bl	Backlight 160i Monitor	\$65.00

ELECTRICAL





BATTERIES

API Part #	AMADA Drawing #	Description	Price
A6890	A02B-0027-K106	Battery Parameter Set - 3000C	\$99.00
A6891	36000501	Battery Memory NC9EX - Round	9.99
A6892	38002406	Battery Memory NC9EX - Flat	9.99
A6893	A98L-0031-0007 25134	Battery - Laser 18 Control	49.00
A6894	A98L-0031-0007 25134	Battery - 36198387 FBDIII	99.00
A6897	A50L-2001-0257/F	Diode Pack - Laser	34.99
A6898a	Er6vly/3.6v	Battery for NT control punch press machines (EM & AC)	59.00

CONTROL LAMPS

API Part #	AMADA Drawing #	Description	Price
A6636	E02936	Bulb 110V HFB-Main Pwr On	\$7.90
A6637	E01321	Bulb 24V HFB Green mtr on oil	5.90
A6638	74163812	Bulb 24v 50ma 200B Panel	3.90
A6639	74163811	Bulb 24v 50ma 3000C Panel	3.90
A6640	74163813	Bulb 28v 6M Panel	3.90
A6641	T5-28v	Bulb 28v Machine Panel	11.50

FANS

API Part #	AMADA Drawing #	Description	Price
A6723	A90L-0001-0378	Fan Servo Drive / Amp 24v DC	\$26.00
A6725	D10307	Fan HFB on Pendant	59.00
A6726	N/A	Fan HFB in Mag Box 100V AC	79.00
A6727	A90L-0001-0049/V	Fan 200v Servo Motor Cooling	149.00
A6728	74591981	Fan 100 v Hydraulic Clutch/ Brake Oil Cooling	239.00
A6729	74590142	Fan: Aries	379.00
A6730	PN/254-002SC2	Fan - Top	429.00
A6731	A90L-0001-0213 #A	Fan - 6M Control	98.00
A6732	75420251	Fan - FBD - NC9EX II	59.00
A6733	74164525 / 74368920	Fan - 6M Control Top Fan (4.75 X4.75) 100V AC	98.00
A6734	A90L-0001-0396	Fan - 3000C Control Rack Fan	149.00
A6735	74163230	Fan - Kondo - Axel Blower/ Clutch and Brake	559.00
A6736	N/A	Fan - Blade (Kondo)	22.00
A6724	A90L-0001-0385T	Servo Amp Fan 04pc	35.00
A6737	74571231/109-602	EM Fan	219.00
A6738	109S078UL	AC FAN 200V	59.00

FUSES

API Part #	AMADA Drawing #	Description	Price
A6899	Fuse- .5 Amp, P405	Fuse	\$17.90
A6900	Fuse-1.3 Amp P413	Fuse	17.90
A6900a	Fuse- 2 Amp, P420	Fuse	14.90
A6901	Fuse-3 Amp P430	Fuse	12.90
A6902	Fuse-5 Amp P450	Fuse	17.90
A6903	Fuse-7.5 Amp P475	Fuse	12.90
A6904	Fuse-10 Amp PL4100	Fuse	14.90
A6905	Fuse-15 Amp PL4150	Fuse	17.90
A6906	Fuse 5.0 : A60L-0001-0046	Fuse	6.90
A6908	Fuse .32	Fuse	6.90
A6909	Fuse 10. A60L-00.01-0046	Fuse	6.90
A6910	Fuse 2. A60L-0001-0046	Fuse	6.90



Alternative Parts Inc.

REPLACEMENT PARTS FOR AMADA MACHINERY
7 Sawgrass Drive, Bellport, NY 11713 • www.ALTPARTS.com

Toll Free
888-882-6001

SWITCHES

API Part #	AMADA Drawing #	Description	Price
A6029	74399143/AH16p-2j3cxa	3 Position key switch	\$99.00
A6030	AH16P-2J2BA	Switch	115.00
A6031	AH165-TLR 11 E3	Push Button	39.00
A6032	AH165-TLG 11 E3	Push Button	39.00
A6040	AR22-FOR-10G	Switch	34.90
A6041	AH22-FR01	Stop Switch	10.90
A6042	AR22PR-221B	Switch	34.90
A6043	AR22V2R-02R	Switch	34.90
A6047	AH22-J2A11A	Switch	39.10
A6048	AR22JCR-3C14DA	Select Switch	59.00
A6050	AH22-J2B20A	Switch	39.10
A6059	AH22-JC7G143A	Switch	53.90
A6060	AH22-VR01	Switch	36.99
A6065	AH22-Q2-R02	Switch	42.30
A6066	44070616 / AR22JR-2A20A	Key Switch	29.00
A6068	AH22-P2-B10 / AR-22PR-210B	Push Button Switch	21.00
A6069	AR 22JR-2A22A	Key Switch	55.00
A6070	Abn-301	Switch	19.00
A6071	AH22-ZMWH	Switch	35.90
A6072	AH22-FY10	Switch	35.90
A6073	SPS-8T: For Pega 244	Pressure Switch	99.00
A6073a	SPS-8T / 74309206	Pressure Switch	169.00
A6074	AH25-SFG10	6M Pwr On Switch	14.90
A6075	TDZ-3F	Pressure Switch	493.00
A6076	AH 30-ER10	Switch	18.90
A6077	AH30-FG10 Same As AR30FOR-10G	Switch	18.90
A6078	74415122/AR30JR-2D01A	Select Switch	32.00
A6079	AR30JR-2B20B	Key Switch	32.00
A6080	AH30-FY10 Same As - RCa470-FY1 & AR30FOR-10Y	Switch	16.90
A6083	AH30-G10 Same As- RCa470-FG1	Start Switch	18.90
A6084	AR30-FOR01R	Stop Switch	16.90
A6085	AH30-FOR01	Switch	16.90
A6086	AH30-J2A01A	Switch	51.90
A6087	TAC FOR NC9EX	Switch	7.90
A6089	AH30-L5W22	Switch	59.90
A6092	AH30-LG10	Switch	48.90
A6101	AH30-P2B01	Switch	19.90
A6107	AH30-P3B11	Switch	19.90
A6110	AH30-V1R01 Same As- RCa470-VR1	Stop Switch	69.90
A6111	44235126	ABN-401	36.00
A6113	AR30-V2R-01R	Stop Switch	49.00
A6114	Coma Plasma: Timer	ADX Timer	49.00
A6115	Valve for MP-SY3140-1LZ-01	Switch	89.00
A6116	MS4SY-for Shear: Timer	Timer	129.00
A6117	MS4SA-CE-for Shear: Timer	Timer	89.00
A6118	74398310/08-823-20	Pressure Switch PSW	225.00
A6120	Foot Pedal Switch: IBS5000	Foot Pedal Switch	51.00
A6121	BZ-2R-J	Switch	25.00
A6122	BZE6-2RN-J	Switch	62.00
A6123	BZE6-2RN2-JA	Switch	69.00
A6124	33008 NC Tool Change Door for Vipros	Safety Lock Switch	119.00
A6125	Apellio357 D-F7P	Striker Switch	69.00
A6126	Flow Switch: Vipros	Flow Switch	275.00
A6127	BZ-2R-Q18-T4-J	Switch	25.00
A6140	HFB-Rectifying Head E18338	Switch	79.00
A6172	36180020 /ACSNK-484-H2-TK500	Cam Switch	225.00
A6173	6M Mode Selector Switch (keyed)	Switch	139.90
A6174	6M Mode Selector Switch (non keyed)	Switch	189.00



Alternative Parts Inc.

REPLACEMENT PARTS FOR AMADA MACHINERY
7 Sawgrass Drive, Bellport, NY 11713 • www.ALTPARTS.COM

Toll Free
888-882-6001

SWITCHES

API Part #	AMADA Drawing #	Description	Price
A6175	3000C Latching Switch	Switch	\$22.90
A6175a	200B Off Switch	Switch	28.90
A6176	3000C Momentary Switch	Switch	22.90
A6287	HH62P-110v	Relay	25.00
A6302	74164010	Relay	27.00
A6177	Protective Cover	Switch-Cover	6.90
A6178	Lens-Green	Switch-Lens	6.90
A6178a	Lens-Orange	Switch-Lens	6.90
A6178b	Lens-Red	Switch-Lens	6.90
A6178c	Lens-White	Switch-Lens	6.90
A6288	HH62P-24v	Relay	21.00

LIMIT SWITCHES

API Part #	AMADA Drawing #	Description	Price
A6119	36322407/BZ-2RS5St4-J	Limit Switch	\$25.00
A6243	79311501/HI-5030	Limit Switch	99.00
A6244	74163516 - LDZ5212	Switch Assembly	249.00
A6245	FL7M-5J6D-L5	Micro Switch	169.00
A6246	ABN4F11-G	Micro Switch	57.99
A6247	2LS1-J	Micro Switch	128.90
A6248	AT0-11-1-ZB	Micro Switch	145.00
A6249	1LS19J	Micro Switch	128.90
A6250	FLW-CH1C	Access Switch	139.00
A6251	FL7M-7T7HD	Micro Switch	169.00
A6252	FL7M-3J-6HD	Micro Switch	139.00
A6253	SL1-A	Micro Switch	39.00
A6254	SL1-AKFXG2	Micro Switch	99.90
A6255	SL1-H	Micro Switch	64.90
A6256	ZE-N-2S	Micro Switch	72.00
A6257	ZC-Q22 same as ZCQ2255	Micro Switch	59.00
A6258	ZC - Q2255	Micro Switch	59.00
A6259	ZC - Q55	Micro Switch	59.00
A6259a	ZC-D55	Micro Switch	59.00
A6259b	ZEQ22-2	Micro Switch	59.00
A6260	SHL - Q2255	Micro Switch	46.00
A6267	LDZ-5312 set of 3	Micro Switch	279.00
A6268	ASJ209: For LDZ5312	Micro Switch	49.00
A6269	ZE-QA2-2S	Micro Switch	69.00



Alternative Parts Inc.

REPLACEMENT PARTS FOR AMADA MACHINERY
7 Sawgrass Drive, Bellport, NY 11713 • www.ALTPARTS.COM

Toll Free
888-882-6001

LIMIT SWITCHES

API Part #	AMADA Drawing #	Description	Price
A6270	14CE3-3J	Micro Switch	\$75.00
A6271	14CE8-1-J or 14CE31-3	Micro Switch	99.00
A6271a	75498379	14ce8-1jk	99.00
A6272	14CE2-3 or 14CE2-1J	Micro Switch	89.00
A6273	14CE10-1 JK	Micro Switch	99.00
A6274	Z15GD-M Shear	Micro Switch	59.00
A6275	WLH2	Micro Switch	99.00
A6276	WLCA2-2TS	Micro Switch	99.00
A6277	LDV5314S, LDV5312S, LDV5310S	Micro Switch	279.00
A6278	74551428	D4C-1201	99.00
A6279	74552332/74550217	Limit Switch D4C-1301	109.00
A6280	Fab Counter	Thumb Switch	15.00
A6281	Fab Counter - new	Thumb Switch	15.00
A6285	NC9EX	Push Button White	49.00
A6285a	NC9EX	Push Button Red	49.00
A6285b	NC9EX	Push Button Green	49.00
A6290	G2R1SAS1	Off Relay Switch	19.00
A6291	G2R2SAS1	Off Relay Switch	19.00
A6292	SRC3631-5-1	Contact	79.00
A6292a	Thermal Overload for A6292 ARC12-18-TK-5-1NY	Contact	59.00
A6292b	Thermal Overload ARC2.8-4 TK-5-1NY	Contact	59.00
A6292c	Thermal Overload for Press Motor P345	Contact	499.00
A6293	4NC0H0211Y: 220 Volt	Contact	98.00
A6294	MY4NAC110/120(S)	Relay Switch	19.90
A6295	Linear Potentiometer for FBD	Micro Switch	349.00
A6296	Togu III - Safety Door Lock switch	Switch	312.00
A6296a	D4NL-1CFA-B	Safety Switch	312.00
A6297	ASR 610 - Sensor/Emitter	Sensor/Emitter	280.00
A6298	XAH16P-11 Tool Change Contact	Contact	18.90
A6298a	AHX3003 Socket for Tool Change Contact	Contact	11.90
A6299	Contact Block for AH or AR NO	Contact Block	7.00
A6300	Contact Block for AH or AR NC	Contact Block	7.00
A6301	TR-1SN/UL6-9	Thermal overload	65.00
A6305	FAB-Relay LZN4-US	Relay Switch	99.00
A6306	FAB-Relay LZN2-US	Relay Switch	99.00
A6309	79340286	Reflection Board	19.90
A6310	CL-510 Photo Sensor HPA-A22	Photo Sensor	139.00
A6311	CL-510 Photo Sensor HPA-T21	Photo Sensor	149.00
A6312	35005043/E18597	Gemo Relay 24v DC	69.00
A6313	G7J2A2B-B	Relay Switch AC200/240	62.00
A6476	74399206	Receiver / Emitter	145.00



Alternative Parts Inc.

REPLACEMENT PARTS FOR AMADA MACHINERY
7 Sawgrass Drive, Bellport, NY 11713 • www.ALTPARTS.COM

Toll Free
888-882-6001

PROXIMITY SWITCHES

API Part #	AMADA Drawing #	Description	Price
A6128	D-F79	Proximity Switch	\$71.00
A6129	74058880/d-59 dc 24v 25-50ma	Proximity Switch	71.00
A6289	HH52p-DC24V	Relay	21.00
A6303	74198402/G6B-2214P-US DC24V	Relay	14.00
A6304	74198401/G6B-1114P-US DC24V	Relay	14.00
A6314	E3s-at61 L=2m / 86240798	Proximity Switch	195.00
A6428	74398043	PE2-CS3S Proximity Switch	225.00
A6429	35004042/BES-516-300-S4-d	Inductive Proximity Switch Sensor	299.00
A6430	TLW3MB1 or TL-X5F2-7	Proximity Switch	59.00
A6431	BES-516-105-BOX or BES-516-105-BOC-03	Proximity Switch	131.00
A6432	BES-516-105AOH or BES-516-105-BOC-03	Proximity Switch	239.00
A6433	BES-516-111-BOX	Proximity Switch	131.00
A6434	BES-516-319-PGV Same as #A6436	Proximity Switch	129.00
A6435	BES-516-325-GOX	Proximity Switch	136.00
A6436	BES-516-329GOX or TL-X2E1-7	Proximity Switch	209.00
A6437	BES-516-329-BOC5	Proximity Switch	209.00
A6438	BES-516-340-HOY or TL-T5E2-7	Proximity Switch	149.00
A6439	BES-516-344-HOL	Proximity Switch	149.00
A6440	BES-516-345-MO	Proximity Switch	126.00
A6441	79598072/TL-N12md1	Proximity Switch	126.00
A6442	BES-516-300-S76 SAME AS: #A6440	Proximity Switch	126.00
A6443	BES-516-370 Same as #A6436	Proximity Switch	129.00
A6444	TL-T5E1-7	Proximity Switch	169.00
A6445	TL-T5E2-7 / 74163770	Proximity Switch	164.00
A6446	TL-W5E1 / 74163776	Proximity Switch	99.00
A6447	TL-X2E1-7	Proximity Switch	209.00
A6448	TL-X2F1-7	Proximity Switch	139.00
A6449	TL-X10EI Same as A6454	Proximity Switch	129.00
A6450	TL-X5E1-7	Proximity Switch	159.00
A6451	TL-X5F2-7 or E2E2-X10MB2	Proximity Switch	149.00
A6452	TL-X5F3-7 E2E2-X5B2	Proximity Switch	229.00
A6453	TL-H20-ME1	Proximity Switch	95.00
A64531	T3H-36702107	Proximity Switch	59.00
A6454	E2E-X10ME1-N	Proximity Switch	189.00
A6454a	E2E2-X2B1 Same as A6448	Proximity Switch	129.00
A6454b	E2E2-X5C1 Same as A6457	Proximity Switch	129.00
A6455	E3S-5DE-41: Receiver	Proximity Switch	139.00
A6456	E3S-5LE-41: Sender	Proximity Switch	139.00
A6457	E2E-2-X5C1	Proximity Switch	159.00
A6458	E3R-5E4: Reflector and Emitter	Proximity Switch	219.00
A6459	E2EC-X4D1 for Sheet Loader	Proximity Switch	219.00
A6460	E2E-X3D1-N	Proximity Switch	109.00
A6461	E3S-GS3E4	Proximity Switch	225.00
A6463	D-59	Proximity Switch	79.00
A6464	E2E-X10E1	Proximity Switch	239.00
A6465	SW-S05	Cylinder Switch	54.00
A6466	TL-X5F1	Proximity Switch	249.00



Alternative Parts Inc.

REPLACEMENT PARTS FOR AMADA MACHINERY
7 Sawgrass Drive, Bellport, NY 11713 • www.ALTPARTS.com

Toll Free
888-882-6001

PROXIMITY SWITCHES

API Part #	AMADA Drawing #	Description	Price
A6467	F92-A-C-1	Proximity Switch	\$163.00
A6468	D-A73HL	Proximity Switch	31.00
A6469	E3V3-T61	Photo Electric Switch	199.00
A6470	PE1-CS5N	Proximity Switch	139.00
A6471	E3S-DS30E4	Photo Electric Switch	425.00
A6472	E3S-DS30E41	Photo Electric Switch	309.00
A6473	40004004/PZ-511TR	Optical receiver (2pc set)	409.00
A6474	E2E2-X7D2	Proximity Switch	164.00
A6475	TL-N10ME1	Proximity Switch	164.00
A6477	44093433/TL-X-1E1	Proximity Switch	145.00
A6478	74385462/FL7M-3J6hd	Proximity Switch	145.00
A6479	40011039/D-B54 same D-B51	Proximity Switch	31.00
A6480	40070004/D-58	Proximity Switch	65.00
A6481	40011255/D-B53/D-B57	Proximity Switch	26.00
A6482	79312850/D-B73/D-b77	Proximity Switch	39.00
A6483	79314135 / ES3-AT11	Photo Electric Switch	325.00
A6484	79598001/TL-W5MD2	Proximity Switch	105.00
A6485	E2E-X5F2	Proximity Switch	89.00
A6486	74365527 / T2H	Cylinder Proximity Switch	59.00
A6499	FL7M-5D6-L5/74330726	Proximity Switch	139.00
A6500	FL7M-7J6HD-Z	Proximity Switch	109.00
A6501	FL7M-2D6GZ	Proximity Switch	119.00
A6502	FL2R-4J6SD	Proximity Switch	76.00
A6505	FL2R - 4J6HD	Proximity Switch	76.00
A6506	FL7M-2D6	Cylindrical Proximity Switch	119.00
A6507	SW-TOH	Proximity Switch	22.00
A8695	N/A	Zipper Duct	110.00



Alternative Parts Inc.

REPLACEMENT PARTS FOR AMADA MACHINERY
7 Sawgrass Drive, Bellport, NY 11713 • www.ALTPARTS.com

Toll Free
888-882-6001

SERVO MOTOR PARTS

API Part #	AMADA Drawing #	Description	Price
A6828	74161783	30M DC Brush	\$9.50
A6829	N/A	DC Motor Brush	8.50
A6830	N/A	Tacho Generator Brush	8.75
A6831	S30043-1B-82	Motor Brush for Super U	11.90
A6832	S01571-1D-15	Tacho Brush for Super U	13.90
A6861	40011054	Cannon Connetors:MS3108B24-10S	115.00
A6862	MS3102-A-28-20P	Cannon connectors: MS3102-A-28-20P	49.00
A6863	MS3102-A-20-29P	Cannon connectors: MS3102-A-20-29P	49.00
A6863a	MS3102-A-20-29PW	Cannon connectors: MS3102-A-20-29PW	49.00
A6864	MS3108-B-20-29S	Cannon connectors: MS3108-B-20-29S	59.00
A6864a	MS3108-B-20-29SW	Cannon connectors: MS3108-B-20-29SW	59.00
A6865	MS3108-B-28-20S	Cannon connectors: MS3108-B-28-20S	79.00
A6866	MS3106-B-20-29S	Cannon connectors: MS3106-B-20-29S	49.00
A6867	MS3106-B-18-10S	Cannon connectors: MS3106-B-18-10S	39.00
A6868	MS3108-B-18-1PZN	Cannon connectors: MS3108-B-18-1PZN	49.00
A6869	MS3102-A-18-1S	Cannon connectors: MS3102-A-18-1S	29.00
A6870	MS3102-A-20-29S	Cannon connectors: MS3102-A-20-29S	59.00
A6871	MS3102-A-18-10P	Cannon connectors: MS3102-A-18-10P	49.00
A6872	MS3106-B-28-21PZ	Cannon connectors: MS3106-B-28-21PZ	39.00
A6873	MS3101-A-28-21SZ	Cannon connectors: MS3101-A-28-21SZ	39.00
A6874	MS3106-B-22-23S	Cannon connectors: MS3106-B-22-23S	59.00
A6875	MS3108-A24-10S	Cannon connectors: MS3108-A24-10S	99.00
A6880	MS3102A24-10P	Cannon connectors: MS3102A24-10P	59.00
A6881	MS3102-A22-22P	Cannon connectors: MS3102-A22-22P	59.00
A6882	MS3106-b22-22S	Cannon connectors: MS3106-b22-22S	69.00
A6883	MS3102A24-28P	Cannon connectors: MS3102A24-28P	26.00
A6885	Y92E-B18	Clamp for Cannon Connect B18	9.90
A6886	Y92E-B20	Clamp for Cannon Connect B20	9.90
A6887	Y92E-B28	Clamp for Cannon Connect B28	9.90
A6888	MS3102A22-23P	Cannon connectors: MS3102A22-23P	31.00
A6889	MS3102A20-27P	Cannon connectors: MS3102A20-27P	50.00
A6919	A860-0300-T001	Encoder	899.00
A6920	A860-0300-T003	Encoder	599.00
A6921	A860-0300-T002	Encoder	699.00
A6929	A860-0315-T101	Pulse Coder	400.00
A6931	A860-0365-T101	Pulse Coder	400.00

SHEAR BLADES

API shear blades can make a difference in your production shearing operation. You'll get optimum performance and extended blade life resulting in more tons per edge. You will also get higher productivity as machine downtime for blade changes is significantly reduced.

Superior Quality

API shear blades are manufactured from the finest alloys to close tolerance quality control standards. They are available in two material grades to suit individual shearing applications and are precisely heat treated to assure consistently uniform hardness.

Mark II

A modified high carbon, high chrome alloy tool steel grade providing maximum cuts before dulling when shearing mild steel up to and including 1" thick. Also applicable for stainless steel up to and including 1/2" thick.

Mark I

A quality shear blade material - Premium high carbon, high chrome tool steel. Gives maximum life before dulling on mechanical shears cutting mild steel up to and including 1/4" thick. Also for hydraulic shears up to and including 3/8" mild steel capacity. Stainless steel cutting limited to 3/16" capacity.

Shear Blades Also Available for These Equipment Manufacturers...and More!

Accurpress	HTC	Pullmax
American Hercules	Henry Corp.	Red Bud Industries
Besco	Herr-Voss	Scottish
Betenbender	Hunter Engineering	Spartanics
Cincinnati	Lodge & Shipley	Summit
Cleveland Crane/Steelweld	Niagara	Taylor Winfield
Di-Acro/Elga Hydra Shear	National	Tennsmith
Dreis & Krump	Pacific	Warner & Swasey
Edwards	Pearson	Weir
Engel Industries	Pexto	Welty-Way
Famco	Promecam	Wysong & Miles



Alternative Parts Inc.
 REPLACEMENT PARTS FOR AMADA MACHINERY
 7 Sawgrass Drive, Bellport, NY 11713 • www.ALTPARTS.COM

Toll Free
888-882-6001

SHEAR BLADES

API Part #	Grade	Model #	Price
A7016	Mark 1	SH Blade M 1232 Lower	Call for Current Pricing
A7017	Mark 1	SH Blade M 1232 Upper	Call for Current Pricing
A7021	Mark 1	SH Blade M 1245 Lower	Call for Current Pricing
A7022	Mark 1	SH Blade M 1245 Upper	Call for Current Pricing
A7027	Mark 1	SH Blade M 1260 Lower	Call for Current Pricing
A7028	Mark 1	SH Blade M 1260 Upper	Call for Current Pricing
A7033	Mark 1	SH Blade M 2045 Lower	Call for Current Pricing
A7034	Mark 1	SH Blade M 2045 Upper	Call for Current Pricing
A7036	Mark 1	SH Blade M 2060 Lower	Call for Current Pricing
A7037	Mark 1	SH Blade M 2060 Upper	Call for Current Pricing
A7039	Mark 1	SH Blade M 2545 Lower	Call for Current Pricing
A7040	Mark 1	SH Blade M 2545 Upper	Call for Current Pricing
A7045	Mark 1	SH Blade M 2560 Lower	Call for Current Pricing
A7046	Mark 1	SH Blade M 2560 Upper	Call for Current Pricing
A7051	Mark 1	SH Blade M 3045 Lower	Call for Current Pricing
A7054	Mark 1	SH Blade M 3045 Upper	Call for Current Pricing
A7057	Mark 1	SH Blade M 3060 Lower	Call for Current Pricing
A7058	Mark 1	SH Blade M 3060 Upper	Call for Current Pricing
A7063	Mark 1	SH Blade M 4045 Lower	Call for Current Pricing
A7064	Mark 1	SH Blade M 4045 Upper	Call for Current Pricing
A7069	Mark 1	SH Blade M 4060 Lower	Call for Current Pricing
A7070	Mark 1	SH Blade M 4060 Upper	Call for Current Pricing
A7071	Mark 1	SH Blade M 4065 Lower	Call for Current Pricing
A7072	Mark 1	SH Blade M 4065 Upper	Call for Current Pricing
A7091	Mark 2	SH Blade H1213 Lower	Call for Current Pricing
A7092	Mark 2	SH Blade H1213 Upper	Call for Current Pricing
A7094	Mark 2	SH Blade H3013 Lower	Call for Current Pricing
A7095	Mark 2	SH Blade H3013 Upper	Call for Current Pricing
A7097	Mark 2	SH Blade H4013 Lower	Call for Current Pricing
A7098	Mark 2	SH Blade H4013 Upper	Call for Current Pricing
A7103	Mark 1	SH Blade H4065 Lower	Call for Current Pricing
A7106	Mark 1	SH Blade H4065 Upper	Call for Current Pricing
A7115	Mark 1	SH Blade H3065 Lower	Call for Current Pricing
A7118	Mark 1	SH Blade H3065 Upper	Call for Current Pricing
A7174	Mark 1	SH Blade BLS10 - 10 Lower Y	Call for Current Pricing
A7175	Mark 1	SH Blade BLS10 - 10 Upper Y	Call for Current Pricing
A7180	Mark 1	SH Blade BLS10 - 10 Lower X	Call for Current Pricing
A7181	Mark 1	SH Blade BLS10 - 10 Upper X	Call for Current Pricing
A7182	Mark 1	SH Blade BLS60- 90 Lower X	Call for Current Pricing
A7183	Mark 1	SH Blade BLS60- 90 Upper X	Call for Current Pricing
A7184	Mark 1	SH Blade BLS60- 90 Lower Y	Call for Current Pricing
A7185	Mark 1	SH Blade BLS60- 90 Upper X	Call for Current Pricing
A7199	Mark 1	SH Blade CSW220 Bottom Right	Call for Current Pricing
A7200	Mark 1	SH Blade CSW220 Bottom Left	Call for Current Pricing
A7205	Mark 1	SH Blade CSW220 Top Right	Call for Current Pricing
A7206	Mark 1	SH Blade CSW220 Top Left	Call for Current Pricing
A7215	Mark 1	SH Blade S1232 Upper	Call for Current Pricing
A7216	Mark 1	SH Blade S1232 Lower	Call for Current Pricing



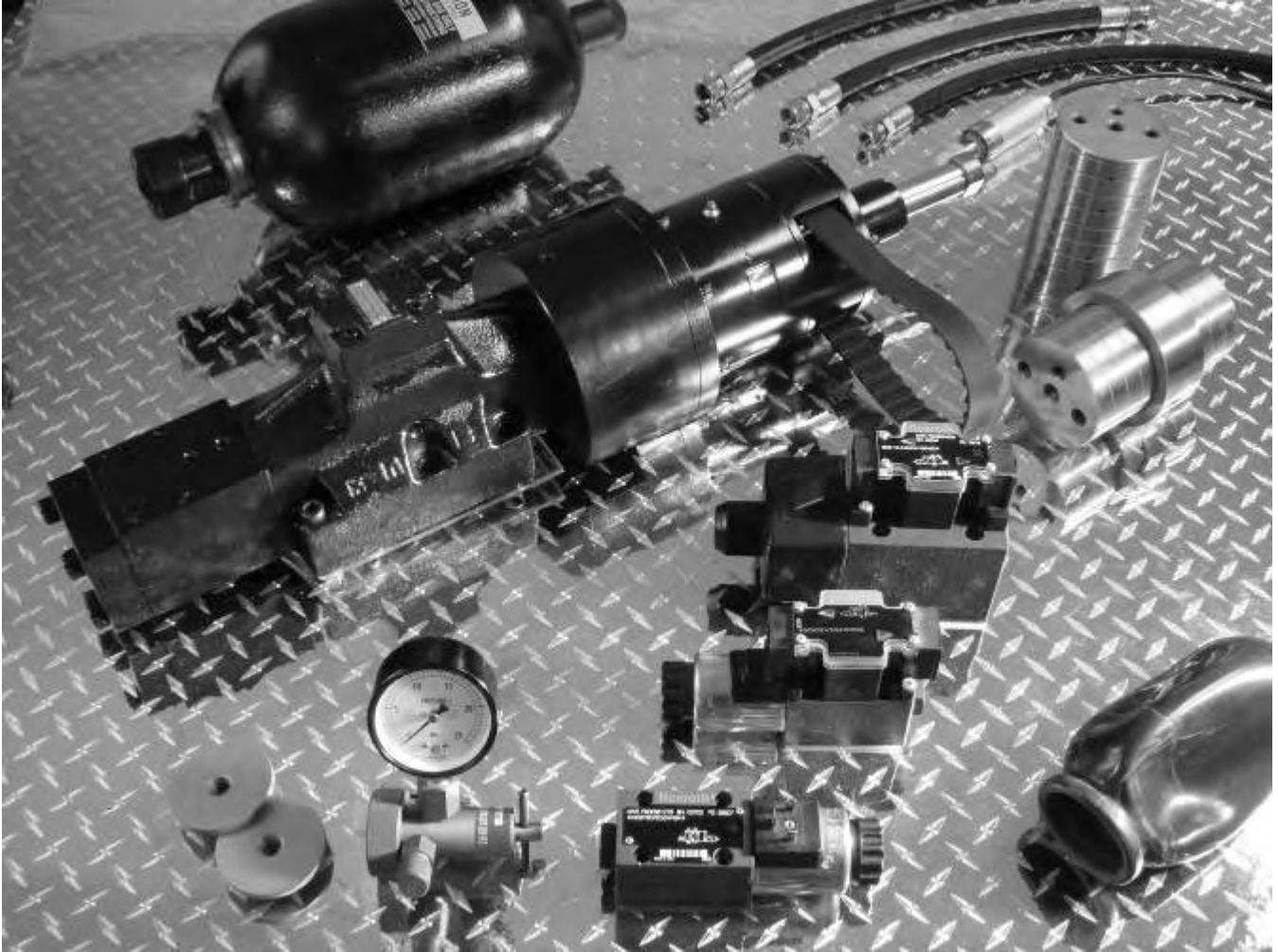
Alternative Parts Inc.
 REPLACEMENT PARTS FOR AMADA MACHINERY
 7 Sawgrass Drive, Bellport, NY 11713 • www.ALTPARTS.com

Toll Free
888-882-6001

SHEAR PARTS

API Part #	AMADA Drawing #	Description	Price
A4036	36003103	Regulator	\$189.00
A4061	CVPT63-110-1	Sheet Support Cylinder	675.00
A6116	MS4SY	On Timer	129.00
A6117	MS4SA-CE	On Delay Timer For Sheet Support	89.00
A6123	B2E6-2RN-J	Switch	69.00
A6255	SL1-H	Limit Switch	64.90
A6259b	ZEQ22-2	Limit Switch	59.00
A6269	ZEQA2-25	Limit Switch	69.00
A6274	Z15GD	Limit Switch	59.00
A6949	3556622H	Shear Pad	11.90
A6950	44251218	Sheet Support Roller - Metal	3.99
A6951	44028714	Sheet Support Roller - Plastic	2.99
A8078	44490089	Accumulator Bladder	1,068.00
A8668	S-2576-A	Power Supply	350.00
A8672	S-2796	CPU	2,499.00
A8900	N/A	H-SHEAR LEAD SCREW NUT (BRASS)	550.00
A9132	44236032	V Belt: B-118	35.00
A9134	44236034	V Belt: B-123	39.00
A9136	44236029	V Belt: B-140	45.00
A9653	UPH30 X 45 X 10	U-Cup: 30 x 45 x 10	18.00
A9656	UPH12.5 X 22.5 X 8.4	U-Cup: 12.5 x 22.5 x 8.4	12.00
A9665	44341032	U Packing	7.90

HYDRAULICS





Alternative Parts Inc.

REPLACEMENT PARTS FOR AMADA MACHINERY
7 Sawgrass Drive, Bellport, NY 11713 • www.ALTPARTS.com

Toll Free
888-882-6001

HYDRAULICS

API Part #	AMADA Drawing #	Description	Price
A5000	74722397/74562423/6594188	cylinder shaft:vipros –spiral groove	\$359.00
A5002	74365928	Bushing for Cylinder Shaft – Vipros 95mm	499.00
A5003	74379107	Bushing for Cylinder Shaft – Vipros 100mm	479.00
A5004	74562422/6594185	Cylinder Bracket	479.00
A8050	74198690	Accumulator Charge Kit: Universal	699.00
A8060	74382123/7832459	Minilator MC70-1000-30:NOK 1liter	649.00
A8061	75417739/7931064d	Minilator MC140-1000-30 w/o4pc	649.00
A8065	74198691	Accumulator Charge Kit Adaptor 1/2 UNF	60.00
A8066	74198692	Accumulator Charge Kit Adaptor G 1/4	60.00
A8066a	N/A	Accumulator Charge Kit Gasket Set	60.00
A8068	74398508	Accumulator Bladder 6liter/sb330-6a	429.00
A8069	74399275/sb330-1a/112a-330	Accumulator Bladder	299.00
A8071	74399273/SB330-10a1/112a	Accumulator Bladder 10liter Hydac 02054036	399.00
A8072	74399077 / 74199346	Accumulator Bladder AT-250 or AT-150	1,199.00
A8073	74369197 / 7832004	Accumulator Bladder R2 10-1 0D (10Liter)	699.00
A8074	74199346/7832513	Accumulator Bladder AT-150 KY1822-B2	999.00
A8075	74199344/7832512/PAL150-	Accumulator Bladder 4liter Hydac KY2107-b2	725.00
A8076	74398034	Accumulator Bladder J-070-1 (04PC + Late Model 6M)	399.00
A8077	74309299/N-140-1	Accumulator Bladder R210-1 bld 6M	399.00
A8078	44408021/N150-20D	Accumulator Bladder H-Shear	1,068.00
A8079	7951134A	Accumulator R-210-1D (1 Liter)	829.00
A8079a	N/A	Fluid Port Adapter 1/2"	69.00
A8079b	N/A	Fluid Port Adapter 3/8"	69.00
A8080	7951134A	Accumulator Pega 358S	699.00
A8081	74199343	Accumulator HYDAC 4L	1,099.00
A8082	A210-10-DX10 / 7832242	Accumulator 10Liter	1,825.00
A8083	R210-4D/7832243/74379318	Accumulator 4 Liter	1,931.00
A8085	4447893	Accumulator Bladder N210-6.3d Nacol	999.00
A8086	44408024	Accumulator 20 Liter	2,799.00
A8089a	74198690	Accumulator Valve/Gauge NOK	750.00
A8191	4WE6Y	Wet Clutch Control Valve/Punching Valve	506.00
A8192	74159791	Wet Clutch Safety Valve/3WE10A-A0/AW100-00np1	529.00
A8193	36351826	Speed change 4WE6C-A0/AG24npl	599.00
A8195A	74366014	pressure transducer/ Vesi-19.61/Vt-A3-200	1149.00
A8199	opg-dt-pf 1/4/ 74310721	Pressure Gauge /wet clutch	169.00
A8200	74166005	Hydraulic clamp pump unit/3SR-26997	2,899.00
A8201	7931054 / 74301031	Hydraulic Rotary Joint	729.00
A8202	36109617	Hydraulic Valve: SA-G03-H2Y-E1	629.00
A8203	N/A	Oil Catch Retro Kit	155.00
A8215	N/A	Vipros Coupling Assy 255 parker	399.00
A8216	74398893/c-5018	Hydraulic Coupling Assembly	909.00
A8217	74368128/c-6018	Hydraulic coupling: Vipros	909.00
A8218	N/A	Piston Pump Seal Kit(A1656-***)	449.00
A8218a	N/A	Seal Kit PVP 23 (vipros 255 parker)	299.00
A8219	74399242	Piston Pump Seal Kit	449.00
A8220	74793220	Piston pump :Vipros Queen A56l-R-01-HK-32358	2,999.00
A8221	74368105	Piston Pump - Vipros: A56LR01HK	2,999.00
A8222	74393663	Piston pump: Vipros 358 /A1670-LR-01H01C-6002	7,900.00
A8223	74367942/HP-38-9101	Hydraulic Hose: Vipros 345	499.00
A8224	C10827/35001002	Hydraulic Hose:HFB-220	149.00
A8225	74310261/F506L600	Hydraulic Hose: Valve to Accumulator	69.00
A8226	74309737/N176-06 L=450	Hydraulic Hose: Wet clutch to Valve	89.00
A8227	827577/74161328	Hydraulic Hose - 1/4 x 1/8	43.00
A8228	74310235/J1W-06	Hydraulic Hose - 1/4 x 1/4	49.00
A8230	6010306a	Pneumatic Hose - Octo	62.00
A8231	6010307a	Pneumatic Hose - Octo	119.00
A8232	5033744a	Pneumatic Hose - Octo	79.00
A8233	6012893	Hose - Pega 367 74309419 (76")	119.00
A8250	H02319/35003034	Hydraulic Breather - HFB220	169.00



Alternative Parts Inc.

REPLACEMENT PARTS FOR AMADA MACHINERY
7 Sawgrass Drive, Bellport, NY 11713 • www.ALTPARTS.COM

Toll Free
888-882-6001

VIPROS FILTER & CHILLER KITS

API Part #	AMADA Drawing #	Description	Machine S/N or Hyd. Unit #	Price
A5304	N/A	VIPROS CHILLER WATER ADDITIVE KIT (WATCON KIT)		\$100.00
A5304b	March	Vipros Chiller Pump Rebuild Kit		99.00
A5305A	Hayward	Vipros Chiller Pump Rebuild Kit		199.00
A5370	81140306	Lens		359.00
A8280	74361009	Vipros 357Q	ALL MACHINES	499.00
A8281	74361010	Vipros 255 w/ 18pc / Apellio 2510	Hydraulic Unit # 7832500	759.00
A8282	74361007	Vipros 358	Machines Mfg. From 02/94 to 01/95	189.00
A8283	N/A	Vipros 358, 368K		339.00
A8283a	74361008	Vipros 358K/368K with 04PC	Hydraulic Unit # 7832445	429.00
A8284	74361003	Vipros 345	S/N # 34510179-34510188	459.00
A8284	74361003	Vipros 345	S/N # AVP45001-AVP45015	459.00
A8284	74361003	Vipros 357	S/N # 35710510-35710590	459.00
A8284	74361003	Vipros 357	S/N # AVP57001-AVP57038	459.00
A8284	74361003	Vipros 367	S/N # 36710087-36710108	459.00
A8284	74361003	Vipros 367	S/N # AVP67001-AVP67002	459.00
A8285	74361004	Vipros 345	S/N # 34510189 and after	379.00
A8285	74361004	Vipros 345	S/N # AVP45016 and after	379.00
A8285	74361004	Vipros 357	S/N # 35710591 and after	379.00
A8285	74361004	Vipros 357	S/N # AVP57039 and after	379.00
A8285	74361004	Vipros 367	S/N # 36710109 and after	379.00
A8285	74361004	Vipros 367	S/N # AVP67003 and after	379.00
A8286	74361001	Vipros 345	S/N # 34510001-34510114	469.00
A8286	74361001	Vipros 357	S/N # 35710001-35710321	469.00
A8287	74361002	Vipros 345	S/N # 34510115-34510178	279.00
A8287	74361002	Vipros 357	S/N # 35710322-35710509	279.00
A8288	74361005	Vipros 558, 568	Hydraulic Unit # 7832395	689.00
A8289	74361006	Vipros 558, 568	Machines Mfg. 10/93 to 12/93	629.00
A8290	74361011	Vipros 358 King with 18pc	Hydraulic Unit # 7832632	449.00
A8291	74361012	Vipros 358 King with 18pc V2	Hydraulic Unit # 7832647	479.00
A8292	74361013	Vipros 2510 with 18pc V2	S/N # 7832781 or 7832656	599.00
A8292	74361013	Vipros 255 with 18pc V2	S/N # 7832781 or 7832656	599.00
A8293	74361015	Vipros 357, 367Q18p or 04PC	Hydraulic Unit # 7832646	799.00
A8294	74361014	Vipros 255: Parker	S/N # AVP55265 and after	169.00

LINEAR SERVO VALVES

API Part #	AMADA Drawing #	Description	Price
A8018	74399002	Linear Servo Valve SE1012-40-1101 with SE1013-ET-1201: Pilot Valve	\$6,500.00
A8019	74398540	Linear Servo Valve SE1012-40-1106 with SE1013-ET-1301: Pilot Valve	\$6,500.00
A8020	74398542	Linear Servo Valve SE1012-40-1101 with SE1013-ET-1101: Pilot Valve	\$6,500.00
A8021	74398540	Linear Servo Valve SE1012-40-11 with SE1014-E-1201: Pilot Valve	\$6,500.00
A8022	ESH06-2-3-20-E-T	Linear Servo Valve ESHG-06-2-0320-ET-1022	\$7,199.00



Alternative Parts Inc.

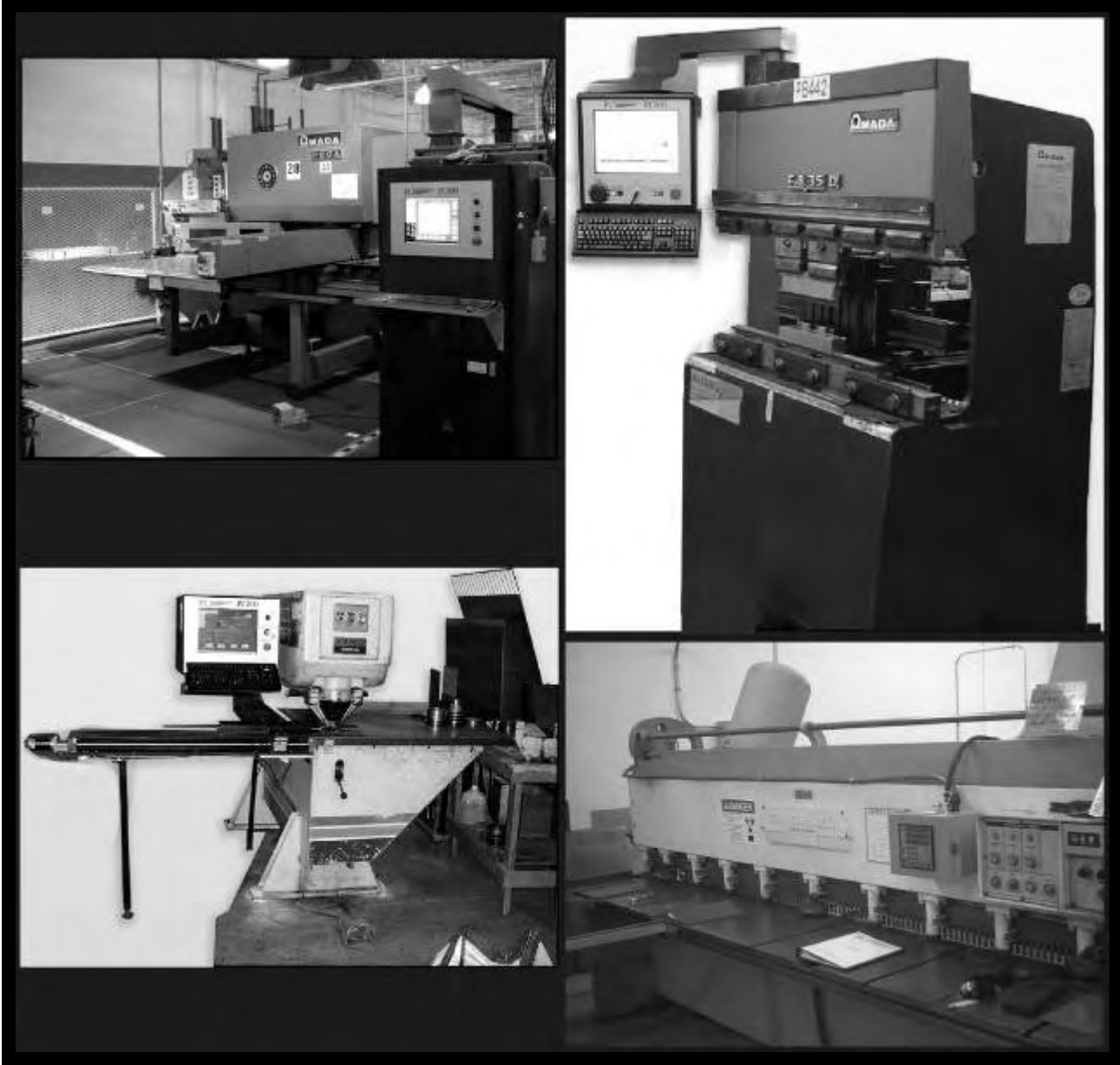
REPLACEMENT PARTS FOR AMADA MACHINERY
7 Sawgrass Drive, Bellport, NY 11713 • www.ALTPARTS.COM

Toll Free
888-882-6001

HYDRAULIC FILTERS

API Part #	AMADA Drawing #	Description	Price
A8277	SFT-16-150W	Filter	\$59.00
A8278	SFT-12-150W	Suction Strainer	79.00
A8279	SFT-06-150W	Strainer	39.00
A8300	UCF0310P	ARIES PEGA COMA APELIO WET CLUTCH HYDRAULIC FILTER	69.00
A8301	35002001/H00284	Filter 170-I-123/170-I-110	136.00
A8302	74398986	Filter - PGFA - 03-3-6M	169.00
A8303	74398501	Filter - PGFA - 03-3-10U	109.00
A8305	74163253	Filter - PGFA - 06-3-3M	269.00
A8307	74399005	Filter - PGFA - 06-3-6M	279.00
A8311	74198178	Filter - PGFA - 06-3-10U	109.00
A8313	74199072	Filter - PGC-12-5-6M	249.00
A8314	74398502	Filter - PGC-12-5-10U	229.00
A8315	74163254	Filter - PGC-12-4-10U	179.00
A8317	74369195	Filter - HC-9021-FDP-8H	220.00
A8318	35008008	Filter-HC-9800-FKS-4H: For HFB2204	99.00
A8319	35030106	Filter-HC-9800-FKS-8H	139.00
A8320	74793762	Filter - PUH-06A-3M	119.00
A8322	74369194	Filter - 270L110A	109.00
A8323	74198178	Filter -PG-351-A-03-10U OR PGFA-06-03-10V	69.00
A8325	H02161	Filter-Parker 932612q	42.00
A8326	932610Q	Filter-15P102QE2S50ZZ-1	42.00
A8327	932623Q	Filter-30P105Q15743	62.00
A8328	932622Q	Filter-30P102Q15743	68.00
A8330	74399202	Filter -DFBN-HC330	165.00
A8331	74399203	Filter -DFBN-HC110	85.00
A8332	74598831	Filter -DFBN-HC240P5BM / 0240D005BN3HC	109.00
A8333	74163266	Filter -DFBN-HC240P3C / 0240D003BN3HC	269.00
A8334	74199454	Filter-AF351-04-10U	59.00
A8335	74598841	Filter-DFBN-HC240P10BM	275.00
A8336	36180025	Ep001h-020n-x28	159.00
A8336a	36396113	Filter-EP001H-020N for FBD III with O-Ring	79.95
A8337	58193311	Filter-Out oil tank for FBDIII	44.00
A8338	N/A	Filter B/U Ring G-55	3.40
A8340	71530528	Filter B/U Ring G-70	3.40
A8344	N/A	Filter B/U Ring G-100	4.50
A8348	MS28774-136-T3	Filter B/U Ring	8.00
A8349	FF3141	Filter B/U Ring	9.00
A8360	74399225	Filter-O-Ring kit	49.00
A8361	74399227	Filter-O-Ring kit	89.00
A8362	74399226	Filter-O-Ring kit	21.50
A8363	74399227	Seal kit DF330	36.00

CONTROL CHANGES





Alternative Parts Inc.

REPLACEMENT PARTS FOR AMADA MACHINERY
7 Sawgrass Drive, Bellport, NY 11713 • www.ALTPARTS.COM

Toll Free
888-882-6001

If you are experiencing...

- Excessive downtime on your punch press
- High cost for control service and repair
- Slow speed and performance from you equipment

The PC800 Control Upgrade for your CNC Turret Punch Press is the Solution!!!

Reliability and Maintenance

- Increased machine up-time, PC based high reliability
- No proprietary electronic parts, all standard, off-the-shelf components
- Major savings on yearly repair costs –vs- expensive proprietary controls
- Low cost, standard PC components

Productivity

- Increased productivity through programming and machine operation
- Highly productive, graphical interface software. No M&G Code programming
- Fast set-up and operation



Cost and Performance

- Makes your existing machine outperform newer equipment
- Stay competitive with minimal investment
- Twelve-month parts warranty from date of installation

Technology & Factory Integration

- The latest PC processing power drive your machine tool
- Full MS Windows XP/2000/NT™ and network compatibility
- Open hardware and software architecture for complete, seamless factory integration
- USB memory stick for complete system recovery in less than 5 minutes

THE PC800 CONTROL IS AVAILABLE FOR AMADA®, WIEDEMANN®, STRIPPIT®, FINN-POWER®, RASKIN®, AND MORE

CALL TODAY 1-888-882-6001 FOR FREE DEMO CD AND PRICING



Alternative Parts Inc.

REPLACEMENT PARTS FOR AMADA MACHINERY
7 Sawgrass Drive, Bellport, NY 11713 • www.ALTPARTS.COM

Toll Free
888-882-6001

If you are experiencing...

- Excessive downtime on your press brake control
- High cost for control service, spare parts, & repair
- Poor performance & limited programming features

The PC800 Press Brake Control Upgrade for your CNC Press Brake is the Solution!!!

Reliability and Maintenance

- Increased reliability & decreased maintenance & support costs with PC-based control technology
- No proprietary electronic parts, all standard, off-the-shelf components
- Major savings on yearly repair costs –vs- expensive proprietary controls
- Plain English diagnostics & machine trouble-shooting helps



Productivity

- Increased productivity with faster programming, set-up & brake operation
- Easy to use single screen programming with graphical operator interface
- Easy creation of punches & dies, unlimited part, material and tool storage
- Notes/digital photos attached for each program

Cost and Performance

- Makes your existing machine outperform newer equipment
- Most cost effective alternative to new or used equipment purchases allowing you to stay competitive in the marketplace
- Designed/manufactured/supported in the USA
- Available for 2-8 Axis Press Brakes
- Twelve-month parts warranty from date of installation

Technology & Factory integration

- The latest PC processing power drive your machine tool
- Full MS Windows XP/2000/NT™ with built in network compatibility & remote access trouble shooting
- Open hardware and software architecture for complete, seamless factory integration
- Access part programs, CAD drawings, production routers etc. all at the machine control
- USB memory stick for complete system recovery in less than 5 minutes

THE PC800 CONTROL IS AVAILABLE FOR AMADA®, WYSONG®, PULLMAX®, CINCINNATI®, PACIFIC®, AND MORE

CALL TODAY 1-888-882-6001 FOR FREE DEMO CD AND PRICING



Alternative Parts Inc.

REPLACEMENT PARTS FOR AMADA MACHINERY
7 Sawgrass Drive, Bellport, NY 11713 • www.ALTPARTS.COM

Toll Free
888-882-6001

If you are experiencing...

- Excessive downtime on your single station punch press
- High cost for control service and repair
- Slow speed and performance from your equipment

The PC800 Control Upgrade for your CNC Single Station Punch Press is the Solution!!!

Works with existing drives & motors, no costly motor/drive replacements are required

Reliability and Maintenance

- Increased machine up-time, PC based high reliability
- No proprietary electronic parts, all standard, off-the-shelf components
- Major savings on yearly repair costs –vs- expensive proprietary controls

Productivity

- Increased productivity through programming and machine operation
- Highly productive, graphical interface software. No M&G Code programming
- Fast set-up and operation



Cost and Performance

- Makes your existing machine outperform newer equipment
- Stay competitive with minimal investment
- Twelve-month parts warranty from date of installation

Technology & Factory integration

- The latest PC processing power drive your machine tool
- Full MS Windows XP/2000/NT™ compatibility
- Remote diagnostics via modem
- Open hardware and software architecture for complete, seamless factory integration
- USB memory stick for complete system recovery in less than 5 minutes

THE PC800 CONTROL IS AVAILABLE FOR WA WHITNEY®, STRIPPIT®, AMADA®, AND MORE
CALL TODAY 1-888-882-6001 FOR FREE DEMO CD AND PRICING



Alternative Parts Inc.

REPLACEMENT PARTS FOR AMADA MACHINERY
7 Sawgrass Drive, Bellport, NY 11713 • www.ALTPARTS.COM

Toll Free
888-882-6001

SC-100 SHEAR CONTROL Features & Software

Basic Features

- Single Axis Positioning System with closed loop servo control
- Operates in Positioning & Jog Mode
- Axis Calibration & Auto Backstop Retract
- Includes part counting function
- Complete with AMC Servo Drive & DC Servo Motor
- Shock Mounted to Withstand Machine Vibrations



Technical Specs

- Scalable Axis Resolution
- LED Display
- Operating Temp 0°C to +60°C (32°F to 140°F)
- Input Power: 110 Single Phase AC
- 1 HP DC Servo Motor & AMC Amplifier with Full Protection Against Over-Voltage, Over-Current, Over-Heating, and Short Circuits

Applications

SC-100 Control Available for:

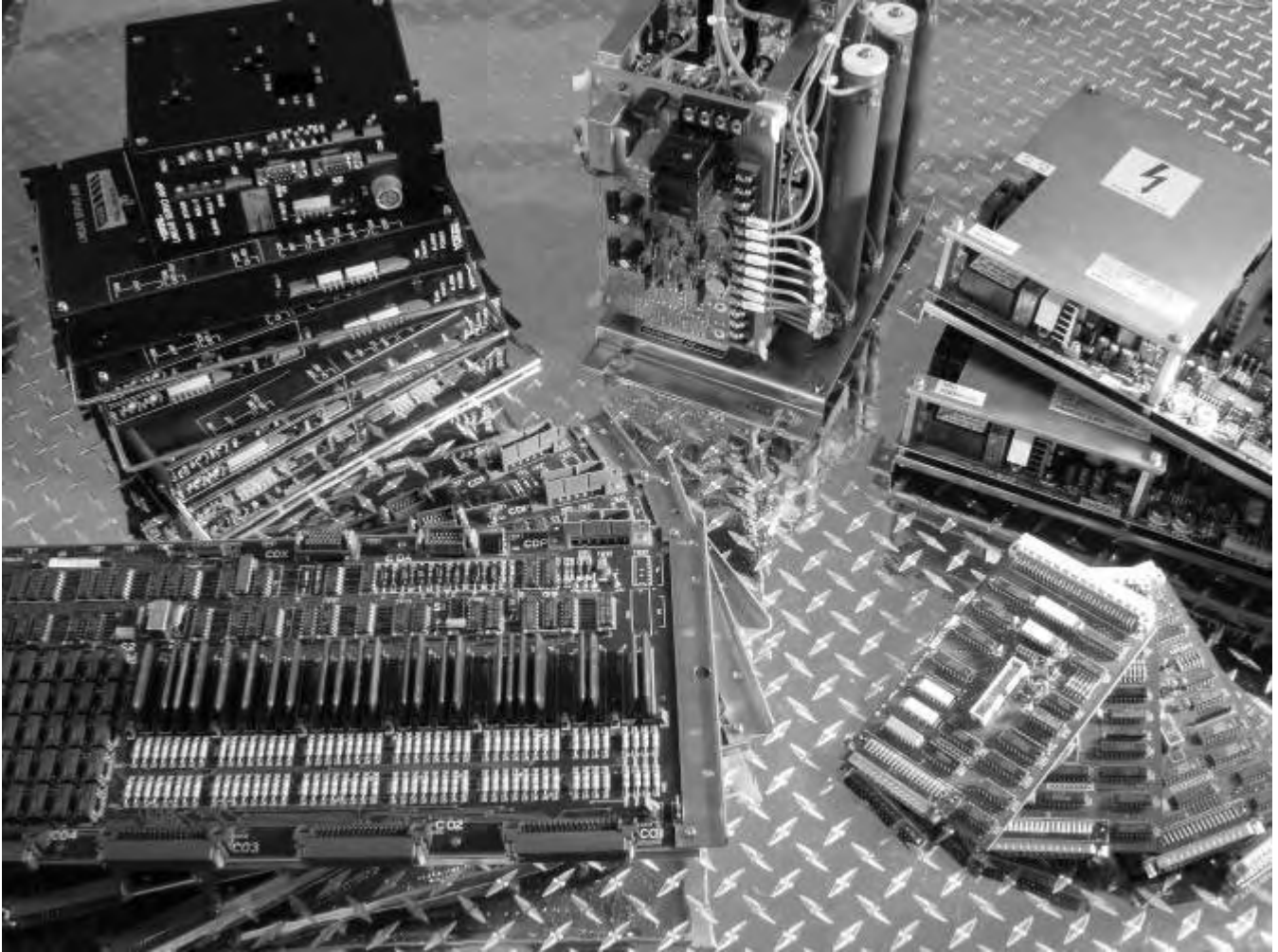
- Guillotine Shears (Cincinnati™, Wysong™, Pacific™, and many more)
- Can Be Used for Any Single Axis Backstop System (cut-off saws, feed tables, etc.)

User Benefits

- Turns Manual Operated Back Gauges into Automated, CNC Gauge Control
- Cost Effective Solution to Upgrade Older Back Gauges
- Improved Operator Productivity and Speed
- Easy Operator Touch Pad Data Input and LED Readout
- Complete Installation, Training, & Documentation
- Twelve Month parts Warranty from Date of Installation



BOARDS & ACCESSORIES





Alternative Parts Inc.

REPLACEMENT PARTS FOR AMADA MACHINERY
7 Sawgrass Drive, Bellport, NY 11713 • www.ALTPARTS.com

Toll Free
888-882-6001

CONTROL BOARDS - 3000C, 200B, 6M, 04PC, 18P

API Part #	FANUC Board #	Description	Price
A8403	PDT-803E-B92	ARIES SERVO AMP	Call for pricing
A8404	SPHNC-010	Control Board	Call for pricing
A8406	A06B-6057-H403	Drive Board	Call for pricing
A8430	PDT-B23-39	Aries Drive Board	Call for pricing
A8443	A14B-0061-B102	Control Board	Call for pricing
A8445	A02B-0051-C391	Control Board	Call for pricing
A8446	A61L-0001-0074	Control Board	Call for pricing
A8450	A14B-0061-B002	6M Power Unit New Style	Call for pricing
A8451	A87L-0001-0017-11	Control Board	Call for pricing
A8460	A20B-0008-0480	6M ROM Board	Call for pricing
A8461	A14B-0061-B101	Control Board	Call for pricing
A8462	A14B-0061-B001	6M Power Supply Original Style	Call for pricing
A8463	A16B-1200-0270	Remote Buffer	Call for pricing
A8464	A02B-0051-C392	6m Face Panel	Call for pricing
A8465	A81L-0001-0036	Control Board	Call for pricing
A8466	A06B-6047-H104	Velocity Control Board	Call for pricing
A8467	A20B-0007-0030	Control Board	Call for pricing
A8468	A20B-0007-0445	Control Board	Call for pricing
A8469	A06B-6047-H110	Velocity Control Board	Call for pricing
A8470	A16B-1200-0150	6M ROM Board	Call for pricing
A8471	A06B-6047-H040	Velocity Control Board	Call for pricing
A8472	A06B-6047-H001	Velocity Control Board	Call for pricing
A8473	A14B-0061-B104	6M Input Unit	Call for pricing
A8474	A02B-0051-C377	Control Board	Call for pricing
A8475	A06B-6047-H050	Velocity Control Board	Call for pricing
A8477	A20B-0007-0090	Control Board	Call for pricing
A8483	A06B-6047-H041	Velocity Control Board Complete	Call for pricing
A8549	A20B 0007 0361	Velocity Control Top Board Only	Call for pricing
A8550	A16B 0170 0460	3000C #11 Board	Call for pricing
A8551	A16B 0190 0050	3000C #10 Board	Call for pricing
A8552	A16B 0190 0010	3000C #7 Board	Call for pricing
A8553	A16B 0190 006, VER 1	3000C #9 Board V.1	Call for pricing
A8553a	A16B 0190 006, VER 2	3000C #9 Board V.2	Call for pricing
A8553b	A16B 0190 006, VER 3	3000C #9 Board V.3	Call for pricing
A8553c	A16C 0190 006, VER 4	3000C #9 Board V.4	Call for pricing
A8553d	A16B-0190-006, VER 5	3000C #9 Board V.5	Call for pricing
A8553e	A16B-0190-006, VER 6	3000C #9 Board V.6	Call for pricing
A8554	A20B 0002 0943	3000C #2 Board	Call for pricing
A8557	A16B 0160 0543	3000C #4 Board	Call for pricing
A8558	A06B 6045 H005	Velocity Control Board No Top Card	Call for pricing
A8559	A06B 6045 H006	Velocity Control Board Complete	Call for pricing
A8561	A06B-6042-H102	Velocity Control Board No Top Card	Call for pricing
A8566	A14B-0019-C004	3000C PWR SUPPLY	Call for pricing
A8567	A14B-0026-B001	3000C Power Supply	Call for pricing
A8568	A02B-0027-C116	3000C Face Panel	Call for pricing
A8569	A06B-6035-H315	Velocity Control Board No Top Card	Call for pricing
A8572	A06B-6042-C013	Control Board	Call for pricing
A8576	A13B-0090-B001	200B Control Board	Call for pricing
A8583	A16B-0160-0030	200B Control Board	Call for pricing
A8586	A16B-0160-0040	200B Control Board	Call for pricing
A8589a	A02R-0014-0060	200B Control Board	Call for pricing
A8598	A16B-0160-0210	200B Control Board	Call for pricing
A8601	A16B-0160-0260	200B Control Board	Call for pricing
A8604	A16B-0160-0270	200B Control Board	Call for pricing
A8616	A16B-0160-0440	200B Control Board	Call for pricing
A8625	A06B-6035-H317	200B Control Board	Call for pricing
A8626	A20B-0004-0450	200B Control Board	Call for pricing



Alternative Parts Inc.

REPLACEMENT PARTS FOR AMADA MACHINERY
7 Sawgrass Drive, Bellport, NY 11713 • www.ALTPARTS.COM

Toll Free
888-882-6001

CONTROL BOARDS - 3000C, 200B, 6M, 04PC, 18P Continued

API Part #	FANUC Board #	Description	Price
A8416	A16B-1211-0910	O4pc Control Board	Call for pricing
A8417	A16B-1211-0900	O4pc Control Board	Call for pricing
A8421	A16B-3200-0210	Control Board	Call for pricing
A8433	A16B-1211-0930	04PC Remote Buffer	Call for pricing
A8436	A16B-1212-0950	Power Supply	Call for pricing
A8438	A16B-1212-0110	Power Supply	Call for pricing
A8439	A16B-1212-0220	04PC I/O	Call for pricing
A8440	A16B-2203-0110	Control Board	Call for pricing
A8452	A16B-1000-0030	6M Mother Board	Call for pricing
A8453	A20B-0008-0540	6M I/O	Call for pricing
A8454	A20B-0008-0410	6M Mother Board	Call for pricing
A8455	A20B-0007-0340	Control Board	Call for pricing
A8456	A20B-0007-0750	6M Tape Unit Board	Call for pricing
A8457	A20B-0008-0430	Control Board	Call for pricing
A8458	A20B-0008-0440	Control Board	Call for pricing
A8459	A20B-0008-0461	Control Board	Call for pricing
A8556	A20B 0007 0360	Velocity Control Unit Complete	Call for pricing
A8560	A20B 0006 0500	Control Board	Call for pricing
A8562	A20B-0003-0630	Control Board	Call for pricing
A8563	A20B-0003-0880	Control Board	Call for pricing
A8564	A20B-0003-0310	Control Board	Call for pricing
A8570	A20B-0004-0720	Control Board	Call for pricing
A8571	A20B-0005-0942	Control Board	Call for pricing
A8577	A20B-0001-0840	200B Control Board	Call for pricing
A8580	A20B-0001-0880	200B Control Board	Call for pricing
A8589	A16B-0170-0060	200B Control Board	Call for pricing
A8592	A16B-0170-0280	200B Control Board	Call for pricing
A8607	A16B-0160-0480	200B Control Board	Call for pricing
A8610	A16B-0160-0481	200B Control Board	Call for pricing
A8613	A16B-0160-0543	200B Control Board	Call for pricing
A8617	A16B-019-0100	200B Control Board	Call for pricing
A8618	A16B-019-0101	200B Control Board	Call for pricing
A8619	A20B-0001-0820	200B Control Board	Call for pricing
A8620	A20B-0003-0410	200B Control Board	Call for pricing
A8621	A20B-0004-0170	200B Control Board	Call for pricing
A8622	A20B-0004-0171	200B Control Board	Call for pricing
A8623	A20B-0004-0440	200B Control Board	Call for pricing
A8624	A20B-0004-0460	200B Control Board	Call for pricing
A8626	A20B-0004-0450	200B Control Board	Call for pricing
A8630	A20B-0002-0943	200B Control Board	Call for pricing
A8631	A02B-0014-C033	Control Board	Call for pricing



Alternative Parts Inc.

REPLACEMENT PARTS FOR AMADA MACHINERY
7 Sawgrass Drive, Bellport, NY 11713 • www.ALTPARTS.COM

Toll Free
888-882-6001

CONTROL BOARDS - 3000C, 200B, 6M, 04PC, 18P Continued

API Part #	FANUC Board # / Part #	Description	Price
A8388	A860-0050-T021	Tape Reader	Call for pricing
A8389	A13B-0070-B001	Tape Reader Unit	Call for pricing
A8390	A13B-0090-B001	Tape Reader Unit	Call for pricing
A8391	A860-0055-T061/T021	Tape Reader Unit	Call for pricing
A8414	A16B-0001-0138	LCD Monitor 160i	Call for pricing
A8415	A16B-1210-0660	04PC Power Supply	Call for pricing
A8418	A20B-1002-0710	Control Board	Call for pricing
A8419	A20B-1002-0700	Control Board	Call for pricing
A8422	A06B-6079-H208	Control Board	Call for pricing
A8423	A20B-1000-0770	Control Board	Call for pricing
A8424	A16B-1310-0380	Control Board	Call for pricing
A8425	A20B-1002-0710	Control Board	Call for pricing
A8431	A16B-1212-0210	04PC Memory Board	Call for pricing
A8432	A98L-0001-0630	Control Membrane 04 pc	Call for pricing
A8432a	A98L-0001-0634	Control Membrane 04 pc	Call for pricing
A8432b	A98L-0001-0555	Control Membrane 04 pc	Call for pricing
A8432c	N/A	PHNC Overlay 04PC Vipros	90.00
A8432d	N/A	Vipros 18p overlay	189.00
A8434	H0400A-SPHNC-000	Control Board	Call for pricing
A8435	A20B-2000-0180	04PC MASTER BOARD	Call for pricing
A8437	H0603A-TCU1-A	Control Board	Call for pricing
A8441	TCU1C	Control Board	Call for pricing
A8442	A80L-0001-0421	Control Board	Call for pricing
A8444	H06010-OPT13-000	Control Board	Call for pricing
A8447	A61L-0001-0072	Control Board	Call for pricing
A8448	A61L-0001-0076	Control Board	Call for pricing
A8448	A61L-0001-0076	6 Monitor	Call for pricing
A8449	A87L-0001-0016	6M BMU	Call for pricing
A8476	A80L-0001-0275	Transformer 6M	Call for pricing
A8500	TDB9708002-A	Pulsar: LC1212	Call for pricing
A8539	a06b-6042-c053	Option Unit	Call for pricing
A8540	S33534-A	Control Board	Call for pricing
A8541	S33535-A	Control Board	Call for pricing
A8542	S33536-A	Control Board	Call for pricing
A8543	S34326-B	Control Board	Call for pricing
A8555	A16B 0160 0470	3000C Board For Pega #12	Call for pricing
A8555a	A16B 0160 0470	3000C Board For Vela #12	Call for pricing
A8565	A35-0004-T012	Control Board	Call for pricing
A8575	A860-0055-T061	Control Board	Call for pricing
A8578	A20B-0009-0320	Control Board	Call for pricing
A8595	A87L-0001-0009	Control Board	Call for pricing
A8632	A14L-0029-0002	Power Supply	Call for pricing
A8633	A14L-0029-0001	Power Supply	Call for pricing
A86341	S01-00180A	Relay Board	Call for pricing
A86341	S01-00180A	Relay Board	Call for pricing
A86342	44A963385G02	GE Servo Drive	Call for pricing
A86343	44A963385G05	GE Servo Drive	Call for pricing
A86344	44A963385G04	GE Servo Drive	Call for pricing



Alternative Parts Inc.
 REPLACEMENT PARTS FOR AMADA MACHINERY
 7 Sawgrass Drive, Bellport, NY 11713 • www.ALTPARTS.com

Toll Free
888-882-6001

D N C SYSTEM

API Part #	FANUC Board #	Description	Price
A8658	N/A	RS232 Port	\$220.00
A8659	N/A	DNC Memory Unit	1,200.00
A8660	N/A	150' Cable for RS -232	150.00
A8661	N/A	25' Cable for RS - 232	50.00
A8661a	N/A	10' Cable for RS – 232	35.00
A8662	N/A	Menu Software for 6M Controls	350.00
A8665	N/A	Executive Memory Software for Multiple Controls	649.00
A8669	dx-ubdb	DB9-USB	77.50
A8696a	N/A	Paper tape for tape reader	18.00

MEMORY EXPANSION BOARDS

API Part #	FANUC Board #	Description	Price
A8665	N/A	Exec Memory Software/Mtple Ctrl	\$649.00
A8674	N/A	6M Expandable Memory Board (4X MEMORY)	1,550.00
A8677	N/A	04PC Expandable Memory Board (2X MEMORY)	1,550.00



Alternative Parts Inc.
 REPLACEMENT PARTS FOR AMADA MACHINERY
 7 Sawgrass Drive, Bellport, NY 11713 • www.ALTPARTS.COM

Toll Free
888-882-6001

HFB / HFE Control Boards

API Part #	FANUC Board #	Description	Price
A6141	N/A	HFE-Rectifying Head	\$33.50
A6312	E18597/35005043	Gemo Relay	69.00
A8650	D10302/D10281	Monitor – New	2,099.00
A8650a	D10302/D10281	Monitor - Reconditioned	1,499.00
A8651	35005065	486 CPU Kit	2,199.00
A8652	35009027	Relay Board	2,199.00
A86521	998BMPA1AB	Relay Board	2,499.00
A8653	35006002	Linear Scale	999.00
A8654	35012005	PVAR-2	1,399.00
A8655	35005041	Power Supply	799.00
A8656	EE18523	Relay Board	2,299.00
A8657	D10055	I/O Cable (ES Cable)	435.00
A8657C	N/A	HFB-Foot Pedal Cable	759.00
A8663	D10055	Monitor Bypass Cable	50.00
A8664	D10096	AXE Cable	129.00

*other boards available upon request

M Shear and SPH Control Boards

API Part #	FANUC Board #	Description	Price
A8668	S-2576A	M Shear Board	\$350.00
A8670	PM-415-6	SPH-30 Board	977.25
A8671	SS-104	SPH-30 Board	1,421.00
A8672	S-2796	M Shear Board	2,499.00

Servo Motors





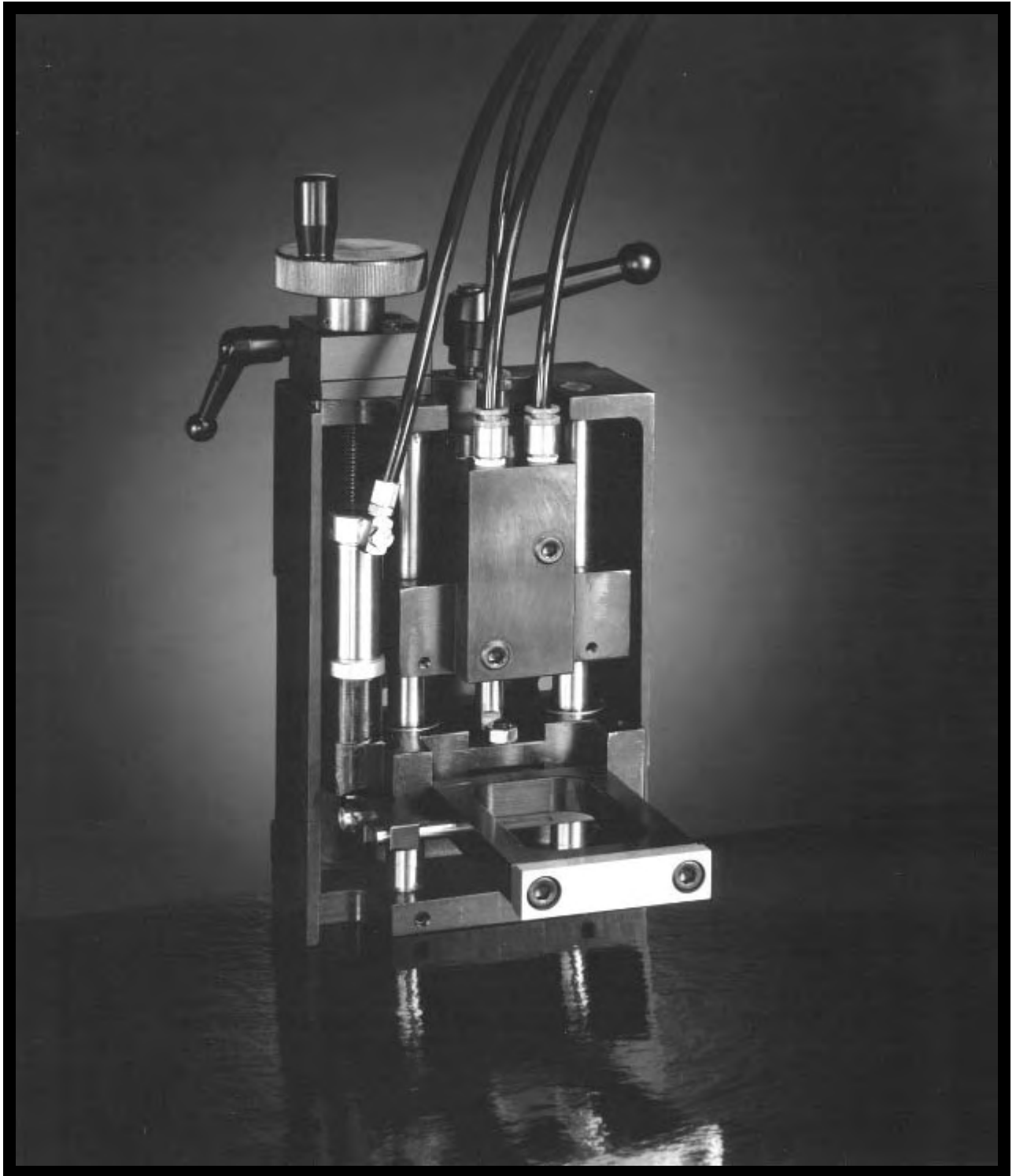
Alternative Parts Inc.
 REPLACEMENT PARTS FOR AMADA MACHINERY
 7 Sawgrass Drive, Bellport, NY 11713 • www.ALTPARTS.COM

Toll Free
888-882-6001

SERVO MOTORS

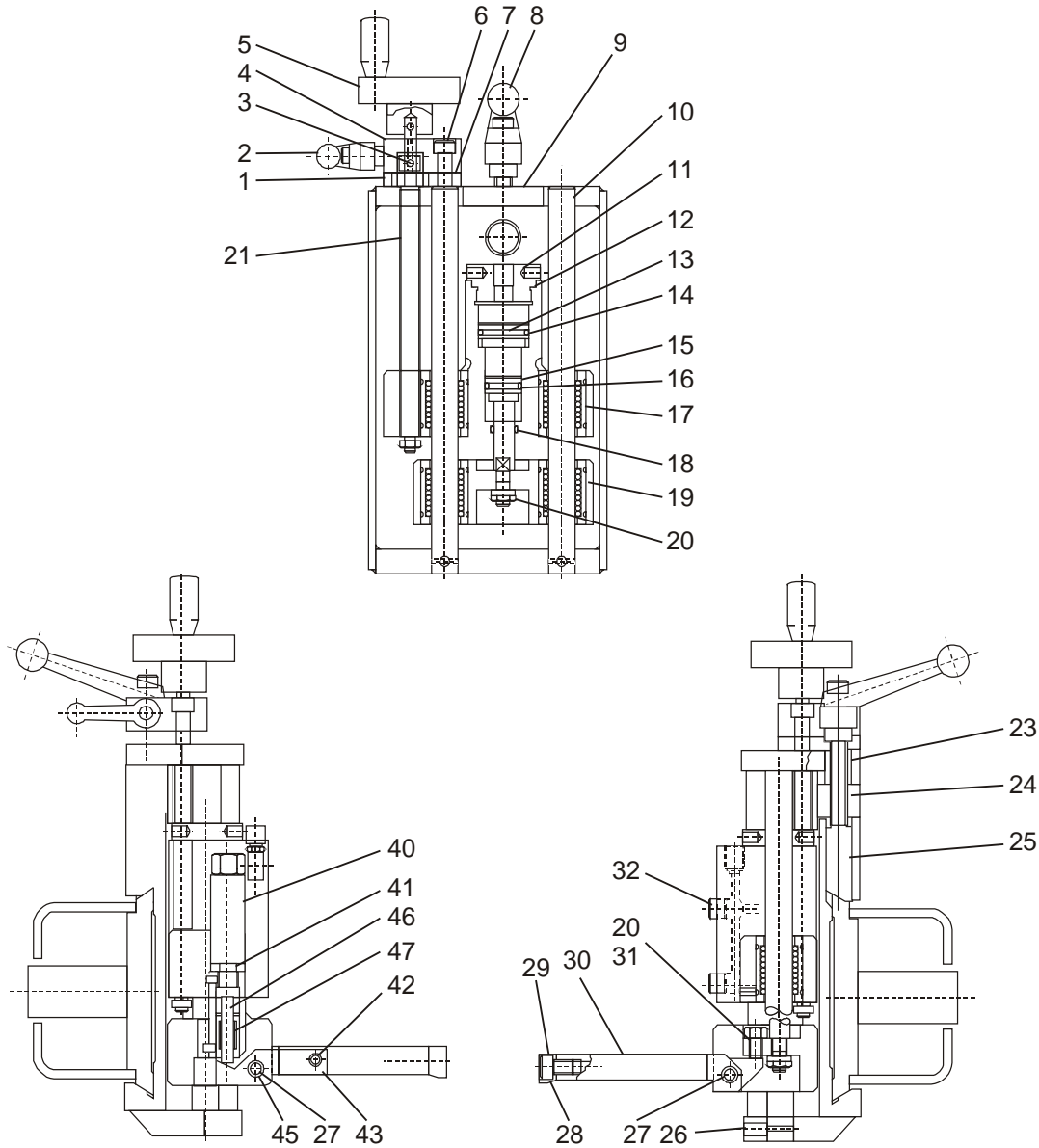
API Part #	AMADA Drawing #	Description	Price
A8746	A06B-0615-B342	Model 10LH	Call for pricing
A8748	A06B-0151-B077	A30 Servo Motor	Call for pricing
A8749	A06B-0503-B081	Slick Shaft	Call for pricing
A8750	A06B-0632-B012	Servo Motor	Call for pricing
A8751	A06B-0645-B081	Model 6L	Call for pricing
A8752	A06B-0645-B082	Model 6L	Call for pricing
A8753	A06B-0603-B021	Model 30L	Call for pricing
A8754	A06B-0602-B322	Model 20H	Call for pricing
A8755	A06B-0616-B322	Model 7L	Call for pricing
A8756	A06B-0603-B024	Model 30	Call for pricing
A8757	A06B-0616-B383	Model 7L	Call for pricing
A8758	A06B-0642-B013	Model 5M	Call for pricing
A8759	A06B-0615-B322	Model 10L	Call for pricing
A8760	A06B-0615-B343	Model 10L	Call for pricing
A8761	A06B-0616-B343	Model 7 L	Call for pricing
A8762	A06B-0653-B002	Model 30M	Call for pricing
A8763	A06B-0615-B383	Model 10L	Call for pricing
A8764	A06B-0571-B003	Apellio	Call for pricing
A8765	A06B-0572-B077	Apellio	Call for pricing
A8766	A06B-0645-B083	Model 6L	Call for pricing
A8767	A06B-0645-B003	Model 6L	Call for pricing
A8768	A06B-0572-B003	Servo Motor	Call for pricing
A8769	A06B-0572-B001	Model 10L	Call for pricing
A8770	A06B-0653-B001	Model 30M	Call for pricing
A8771	A06B-0572-B006	Model 10L	Call for pricing
A8774	A06B-0315-B063	Model 10S	Call for pricing
A8775	A06B-0652-B083	20M	Call for pricing
A8776	A06B-0502-B063	Model 20S	Call for pricing
A8777	A06B-0651-B083	Model 10M	Call for pricing
A8778	A06b-0564-B077	AL9 Servo Motor	Call for pricing
A8779	A06B-0571-B077	AL25 Servo Motor	Call for pricing
A8780	74159614	Press Motor - 5.5 KW	Call for pricing
A8780a	74159332/822507	Press Motor Pulley (5.5kw)	\$275.00
A8781	74159615	Press Motor - 3.7 KW	Call for pricing
A8781a	74159333/802602	Press Motor Pulley(3.7kw)	\$275.00
A8782	A06B-0564-B006	Model 6L	Call for pricing
A8783	R850T-032W42		Call for pricing
A8784	A06B-0312-B003	Servo Motor 1-os	Call for pricing
A8785	A06B-0314-B061	Servo Motor 5s	Call for pricing
A8786	A06B-0313-B061	Servo Motor	Call for pricing
A8800	U825T-062E02	Aries 245	Call for pricing
A8801	SM80T-251E-01	D Axis	Call for pricing
A8802	31198383/V720-162E18	Servo Motor	Call for pricing
A8803	U835T-072E	Aries Servo Motor	Call for pricing
A8804	U835T-042W	Aries X Servo Motor	Call for pricing
A8806	V720B - 412el7	Super V	Call for pricing
A8807	U835T-092E	Servo Motor	Call for pricing
A8808	V511-012-EL6	Super "L" DC Servo Motor	Call for pricing

PRESS BRAKE PARTS





WORK STOPPER ASSEMBLIES





Alternative Parts Inc.

REPLACEMENT PARTS FOR AMADA MACHINERY
7 Sawgrass Drive, Bellport, NY 11713 • www.ALTPARTS.COM

Toll Free
888-882-6001

WORK STOPPER ASSEMBLIES

API Drawing #	API Part #	AMADA Drawing #	Description	Price
1-47	A8845A	4128816d	Work Stopper Assembly-Flip up	\$1090.00
N/A	A8820	3003502	Remote Foot Pedal	1,599.00
1	A8846yy	NB-6	Feed Screw-Bearing (Spherical Support Bearing)	34.90
2	A0809	KR X 20	Clamp Lever 6MM	26.00
3	A8846zz1	4128801a	Collar	5.90
4	A8846gg	4128798a	Bearing Retainer	89.00
5	A8835A	4128802	Hand Wheel With Handle	59.00
6	A0834a	M6 X 25	Screw-Socket Cap M6 X 25 Pkg of 10	1.90
7	A8846ff	4128799	Bearing Case	24.00
8	A0810	KR X 40	Clamp Lever 8MM	26.00
9	A8846aa	4128797d	Body	189.00
10	A8846hh	7950004	Guide Rod	13.00
11	A8846mm	4128809	Cap	29.00
12	A9228a	S-28	O-Ring S-28	0.99
13	A8846nn	4128808a	Piston	49.00
14	A9226	1BP-21	O-Ring P-21	0.75
15	A8846oo	4128807c	Piston	49.00
16	A9221	1BP-14	O-Ring P-14	0.75
17	A8846pp	LM13UU	Linear Bearing	19.90
18	A9209	1BP-10	O-Ring P-10	0.39
19	A8846bb	4128810c	Holder	159.00
20	A8846xx	M6 Type 3	Hex Nut	0.07
21	A8841	4128800a	Feed Screw	19.00
23	A8846ll	4128805	Collar	2.90
24	A8846kk	4128803	Lock Nut	32.90
25	A8846jj	4128804a	Lock Bar	9.90
26	A0831c	M6 X 10	Screw M6 X 10 Pkg of 10	1.70
27	A8846ii	4129243	Hinge Pin	6.90
28	A8827	4128812	Finger Stop Pad	49.00
29	A0839c	M6 X 10	Screw-Socket Cap M6 x 10 Pkg of 10	1.80
30	A8846dd	4128811b	Main Flip Arm	99.00
31	A0831d	M6 X 16	Screw M6 X 16 Pkg of 10	1.90
32	A8846ww	1/8"	Plug	0.99
40	A4087	7950002a	Cylinder-Flip Up Actuator	95.00
42	A8846rr	6 X 36	Dowel Pin	0.49
43	A8846ee	4128819b	Flip up Lever	29.00
45	A8846ss	STW-8	Snap Ring 8M	0.19
46	A8846qq	LM6UU	Feed Screw Bearing	19.90
47	A8846zz	4128818	Flip up Rod	34.00
N/A	A8846cc	4128806a	Cylinder	189.00
N/A	A8846vv	N/A	Male Connector	6.90
N/A	A8846tt	STW-6	Snap Ring 6M	0.19
N/A	A0831b	P330570059	Screw M6 X 8 Pkg of 10	1.50
N/A	A0831e	M4 X 6	Screw M4 X .7 x 6 Pkg of 10	1.90



Alternative Parts Inc.

REPLACEMENT PARTS FOR AMADA MACHINERY
7 Sawgrass Drive, Bellport, NY 11713 • www.ALTPARTS.COM

Toll Free
888-882-6001

RG/FBD PRESS BRAKE

API Part #	AMADA Drawing #	Description	Price
A6087	M60220	Tac Switch (NC9EX II Soft Key Switch)	\$7.90
A6253	SL1-A	Micro Switch	39.00
A6254	SL1-AKFXG2	Micro Switch	99.90
A6280	Fab Counter	Thumb Switch	15.00
A6281	Fab Counter - new	Thumb Switch	15.00
A6285	NC9EX	Push Button White	49.00
A6285a	NC9EX	Push Button Red	49.00
A6285b	NC9EX	Push Button Green	49.00
A6286	G6B41037m	Togu Relay	150.00
A6290	G2R1SAS1	Off Relay Switch	19.00
A6291	G2R2SAS1	Off Relay Switch	19.00
A6295	N/A	Linear Potentiometer for FBD	349.00
A6305	FAB LZN4-US	Relay Switch	99.00
A6306	FAB- LZN2-US	Relay Switch	99.00
A6732	75420251	Fan - FBD - NC9EX II	59.00
A8336	36396113	Filter EP001H-020n-X28	159.00
A8336a	36396113	Filter-EP001H-020N for FBD III with O-Ring	79.95
A8337	58193311	Filter-Out oil tank for FBDIII	44.00
A8635	36183501/ES-9-34	Switching Regulator (NC9EX-EWS-25-24 power supply)	249.00
A86351	N/A	NC9EX-Transformer 24vac / 90-t-40-f3	39.00
A8636	EWS 25-12	Power Supply	139.00
A8637	S-6899A	Board	699.00
A8638	B0016F	NC3B11	1,299.00
A8639	S2854-B	Board	429.00
A8640	S2773	Board	359.00
A8641	PDT-B3-10	Servo Amplifier	1,800.00
A8642	S-2771	CPU, NC9EX	1,789.00
A8643	S2772B	Display Board	1,500.00
A8645	36358701	Power Supply-5V	259.00
A8646	S2852	Board	189.00
A8647	B00116E	NC3B	1,299.00
A8649	S-6897C	CPU, NC9EXII	1,399.00
A8679	36331622	FBD Foot Pedal Cable 10'	425.00
A8680	36360102	FBD Foot Pedal Cable 16'	725.00
A8814	36149218	Sheet Panel Support	119.00
A8816	36077098	Sheet Panel – Bottom	69.00
A8817	36077097	Sheet Panel - Full Size	179.00
A8820	3003502	Remote Foot Pedal	1,599.00
A8826	36108905	Friction Disc	10.00
A8850A	5189066.1A	Distance Piece Assembly Z11	249.00
A8851	35001023	Clamping Lever	19.00
A8852	4099949	Distance Piece Assembly Z	249.00
A9159	36323007	Timing Belt (FBD) NC9-EX	19.90
A9160	36180214	Timing Belt (RG) NC9-EX	22.99



Alternative Parts Inc.

REPLACEMENT PARTS FOR AMADA MACHINERY
7 Sawgrass Drive, Bellport, NY 11713 • www.ALTPARTS.COM

Toll Free
888-882-6001

HFB/HFE PRESS BRAKE

API Part #	AMADA Drawing #	Description	Price
A6140	E18338	Rectifying Head	\$79.00
A6141	35004022	Rectifier Head	33.50
A8250	35003034	H 02319 Breather	169.00
A8318	35008008	Filter-HC-9800-FKS-4H: For HFB2204	99.00
A8319	35030106	Filter-HC-9800-FKS-8H	139.00
A86501	D10302/D10281	Monitor - New	1999.00
A8652	35009027	Relay Board	2199.00
A86521	998BMPA1AB	Relay Board	2199.00
A8654	35012005	PVAR-2	1399.00
A8655	35005041	Power Supply	799.00
A8656	EE18523	Relay Board	2306.00
A8657	ES Cable	i/o Cable	435.00
A8657a	35007009	HFB Finger Stop	145.00
A8657c	35007024	HFB Foot Pedal Cable	759.00
A8663	N/A	Monitor Bypass Cable	50.00
A8664	D10096	AXE Cable	129.00
A8667		Hydraulic Motor Mounts	69.00
A8849		HFB Clamp Plate	26.00
A8851a		HFB Distance Piece Assembly	289.00
A9466	35030034	Roller	109.00

BALLSCREWS & LINEAR MOTION GUIDES





BALLSCREW KITS

Kits Include: Bearing Sets, Oil Seals, Crown Nut and Washers

API Part #	AMADA Drawing #	Description	Price
A8928	N/A	Ballscrew Kit: 30MM Y High Speed	\$3,899.00
A8929	N/A	Ballscrew Kit - 30MM X High Speed	3,899.00
A8930	74600636	Ballscrew Kit: Pega 344 X & Y Axis, Pega 345Q Y Axis	2,999.00
A8931	74600536/74600949	Ballscrew Kit: - Coma 557, Pega 357 Y Axis, Coma 555, Vela 355 X & Y Axis(double pitched screw)	3,099.00
A8932	74600535/74600946	Ballscrew Kit: Coma 557, 567, Pega 357: X Axis	2,899.00
A8933	74600948	Ballscrew Kit: Coma 567, Y Axis	4,099.00
A8934	74600950	Ballscrew Kit: Coma 567, X Axis (double pitched screw)	3,899.00
A8935	74600947	Ballscrew Kit: Coma 555, X Axis	3,399.00
A8937	815551	Ballscrew Conversion Kit: Pega King,Yaxis	1,690.00
A8938	74600837	Ballscrew Kit: Pega 345K Y Axis	3,990.00
A8939	5033531	Ballscrew Kit: Octo X Axis	3,764.00
A8940	5033596	Ballscrew Kit: Octo Y Axis	2,790.00
A8941	71100302	Ballscrew Kit: Laser LCE 655 X & Y Axis	2,499.00
A8942	71133711	Ballscrew Kit: Laser LCE 644 X & Y Axis	2,499.00
A8944	71133708	Ballscrew Kit: Laser LCE 667 Y Axis	3,799.00
A8946	74600936	Ballscrew Kit Pega 367 Y Axis	4,999.00
A8947	N/A	Ballscrew Kit -Y Axis Vipros 255	2,675.00
A8948	N/A	Ballscrew Kit -X Axis Vipros 255	2,428.00

BALLSCREWS

API Part #	AMADA Drawing #	Description	Price
A8904	N/A	Ballscrew - 30MM X Axis	\$3,899.00
A8905	N/A	Ballscrew - 30MM Y Axis	3,899.00
A8906	75414433	Ballscrew - Aries Y Axis	1,799.00
A8910	813106	Ballscrew - Pega 344 X & Y, Pega 345Q Y Axis	2,875.00
A8911	7932030	Ballscrew - Pega 357, Coma 557, 567 X Axis	2,750.00
A8912	825507	Ballscrew - Coma 567 Y Axis	3,999.00
A8913	823011	Ballscrew - Coma 567 X Axis (double pitched screw)	3,699.00
A8914	823904	Ballscrew - Coma 555 X Axis	3,299.00
A8915	825595	Ballscrew - Coma 555 X & Y Axis, Vela 355 X & Y Axis, Coma 557, Pega 357 Y Axis (double pitched screw)	2,999.00
A8916	74385232	Ballscrew - Y Axis Vipros 255	2,138.00
A8917	7830331	Ballscrew - X Axis Vipros 255	1,998.00
A8918	7932112	Ballscrew-Pega 345 King Y Axis	4,390.00
A8919	5033531	Ballscrew-Octo X Axis	3,690.00
A8920	5033596	Ballscrew-Octo Y Axis	2,690.00
A8921	71100302	Ballscrew-Laser LCE 655 X & Y Axis	2,899.00
A8922	71133711	Ballscrew-Laser LCE 644 X & Y Axis	2,399.00
A8924	71133708	Ballscrew-Laser LCE 667 Y Axis	3,699.00
A8926	7932131a	Ballscrew- Pega 367 Y Axis	4,899.00



Alternative Parts Inc.
 REPLACEMENT PARTS FOR AMADA MACHINERY
 7 Sawgrass Drive, Bellport, NY 11713 • www.ALTPARTS.COM

Toll Free
888-882-6001

BALLSCREW HARDWARE

API Part #	AMADA Drawing #	Description	Price
A8952	43116809	AW – 07	\$2.50
A8953	43116808	AN – 07	6.00
A8954	74305006	AW – 05	2.00
A8955	74305001	AN – 05	4.00
A8956	M30 x 1.5	Nut M30 x 1.5	40.00
A8957	FUO4SC	Nut	18.00
A8958	AN - 04	Nut Ballscrew AN-04	7.00
A8959	AN - 05	Crown Nut	8.00
A8960	AN - 06	Crown Nut	8.00
A8961	AW -06	Crown Washer	1.00
A8962	AW - 05	Crown Washer	1.00
A8963	71153016	Crown Washer	1.00
A8964	N/A	Ballscrew Crown Nut Tool M30	56.00
A8965	N/A	Ballscrew Crown Nut Tool M25	56.00
A8970	44236193	Snap Ring STW 20	0.35
A9271	AP 62	O-Ring	1.60
A9448	7205ADB	Bearing Set	139.00
A9449	7204CDB	Bearing Set	104.00
A9450	7206CDFT/GNP4	Bearing Set	243.00
A9451	30TAC62BSUC10	Bearing	199.00
A9454	7206CDB/GNP4	Bearing Set	139.00
A9456	20TAC47BSVC10	Bearing	328.00
A9617	AB2240 - G0	Oil Seal	8.00
A9618	AF1311GO	Oil Seal	8.00
A9626	AF2340 -F0	Oil Seal	8.90



Alternative Parts Inc.

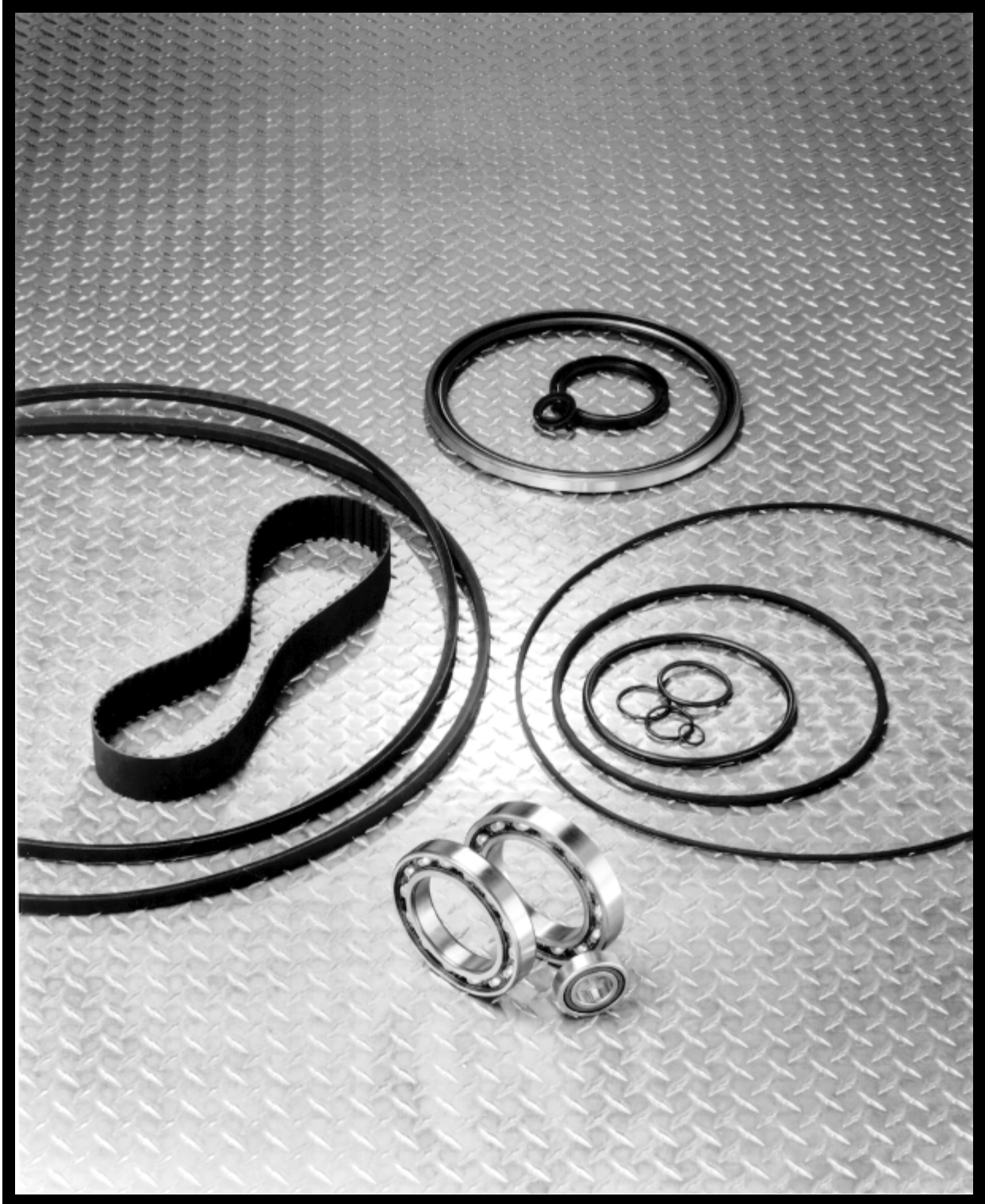
REPLACEMENT PARTS FOR AMADA MACHINERY
7 Sawgrass Drive, Bellport, NY 11713 • www.ALTPARTS.COM

Toll Free
888-882-6001

LM GUIDE RAILS AND BEARINGS

API Part #	AMADA Drawing #	Description	Price
A8892	N/A	LM Guide Rail with Bearings Retrofit Kit for Coma, Vela X Axis 72" (2 Rail Set)	\$4,999.00
A8893	N/A	LM Guide Rail HFB	293.00
A8894A	7932113	LM Guide Rail with Bearings: X Axis: Coma 557, Coma 567, Pega 357	2,799.00
A8895a	7932043	LM Guide Rail with Bearings: Pega 357 Y Axis	2,499.00
A8896	803084	LM Guide Rail with Bearings: Coma 555, Vela 355 X Axis	2,299.00
A8897	823036	LM Guide Rail with Bearings: Coma 567 Y Axis	2,899.00
A8898	824035/7932021	LM Guide Rail with Bearings: Pega 344 Y Axis	2,499.00
A8899	813123	LM Guide Rail with Bearings: Pega 344 X Axis	2,299.00
A8899a	5033598	LM Guide Rail with Bearings: Octo Y Axis	1,999.00
A8901	N/A	LM Guide Rail with Bearings Retrofit Kit for Coma, Vela X Axis 50"(2 Rail Set)	4,999.00
A9409	74160405/30207	Roller Bearing	20.00
A9417	74322402 or 76145809/7001a	Bearing	39.00
A9418	36322916/7006CDB	Bearing	\$149.00
A9500	N/A	LM Guide Bearings: X Axis	349.00
A9501	N/A	LM Guide Bearings: Y Axis	569.00
A9502	N/A	LM Guide Bearings: X Axis Coma Plasma	349.00
A9504	N/A	LM Guide Bearing	354.00
A9507	N/A	LM Guide Bearing: Y Axis Apelio 357	354.00

**BELTS, O-RINGS
OIL SEALS, BEARINGS**





Alternative Parts Inc.
 REPLACEMENT PARTS FOR AMADA MACHINERY
 7 Sawgrass Drive, Bellport, NY 11713 • www.ALTPARTS.COM

Toll Free
888-882-6001

O - RINGS

API Part #	AMADA Drawing #	Description	Price
A9202	12.42 x 1.78	O-Ring	\$1.00
A9203	32.92 x 3.53	O-Ring	9.00
A9204	38 x 54 x 6.5	O-Ring	5.90
A9207	102 x 4	O-Ring	2.00
A9208	102 x 3	O-Ring	2.00
A9208a	P-9	O-Ring	0.75
A9208b	P-8	O-Ring	0.75
A9209	P-10	O-Ring	0.75
A9220	P-12/P590000012	O-Ring	0.75
A9221	P-14	O-Ring	0.75
A9222	P-16	O-Ring	0.75
A9223	P-34	O-Ring	0.75
A9224	P-18	O-Ring	0.75
A9224a	P-19	O-Ring	0.75
A9225	P-20	O-Ring	0.75
A9226	P-21	O-Ring	0.75
A9226a	P-24	O-Ring	0.75
A9227	P-22	O-Ring	0.99
A9227a	P-25	O-Ring	0.99
A9228	P-26	O-Ring	2.00
A9228a	S-28	O-Ring	0.99
A9228b	P-28	O-Ring	0.99
A9228c	P-30	O-Ring	0.99
A9228d	P-31	O-Ring	0.99
A9229	P-29	O-Ring	0.99
A9230	P-32	O-Ring	0.99
A9230a	S-35	O-Ring	0.99
A9230b	P-40	O-Ring	0.99
A9230c	P-35	O-Ring	2.00
A9231	P-39	O-Ring	1.50
A9232	P-44	O-Ring	1.50
A9233	P-46	O-Ring	1.50
A9234	P-50A	O-Ring	1.50
A9235	P-55	O-Ring	0.99
A9236	P-60	O-Ring	2.00
A9236a	P-58	O-Ring	1.50
A9237	G-55	O-Ring	1.25
A9237a	G-50	O-Ring	1.25
A9237b	P-67	O-Ring	5.90
A9238	P-70	O-Ring	1.50
A9239	G-70	O-Ring	1.50
A9239a	P-80	O-Ring	2.50
A9240	P-75	O-Ring	2.00
A9241	G-100	O-Ring	1.25
A9242	P-140 (I)	O-Ring	3.10
A9243	S-150	O-Ring	5.90
A9244	P-130	O-Ring	3.90
A9246	INNER P-180	O-Ring	12.83
A9247	P-210	O-Ring	13.90
A9248	P-225 (I)	O-Ring	11.90
A9249	G-230	O-Ring	10.90
A9250	P-300 (O)	O-Ring	19.90
A9251	G-190	O-Ring	22.50



Alternative Parts Inc.

REPLACEMENT PARTS FOR AMADA MACHINERY
7 Sawgrass Drive, Bellport, NY 11713 • www.ALTPARTS.COM

Toll Free
888-882-6001

O - RINGS Continued

API Part #	AMADA Drawing #	Description	Price
A9252	P-315 (O)	O-Ring	\$15.00
A9254	P-340 (O)	O-Ring	17.90
A9256	S-42	O-Ring	0.95
A9257	S-40	O-Ring	2.00
A9258	S-44	O-Ring	2.00
A9260	S-53	O-Ring	2.00
A9261	S-55	O-Ring	2.00
A9262	S-56	O-Ring	1.10
A9266	G-75	O-Ring	2.00
A9267	G-85	O-Ring	1.90
A9268	G-95	O-Ring	1.95
A9269	G-145	O-Ring	2.90
A9269a	G-270	O-Ring	11.50
A9270	59.00 x 5.33	O-Ring	8.90
A9271	AP -62	O-Ring	1.60
A9272	69.40 x 3.10	O-Ring	10.70
A9273	S48 x 62 x 9	O-Ring	10.00
A9274	190.00 x 7.00	O-Ring	14.90
A9276	266 X 7	O-Ring	22.00
A9280	ARP - 568 - 136	O-Ring	6.00
A9281	AS568 - 235HS90	O-Ring	9.00
A9282	74389810	O-Ring	3.00
A9283	74389811	O-Ring	8.00

TIMING BELTS

API Part #	AMADA Drawing #	Description	Price
A9137	570h-100	TIMING BELT	\$59.00
A9138	225-H-100	TIMING BELT	59.00
A9139	230-H-100	TIMING BELT	59.00
A9140	195-T80-9.5	TIMING BELT	21.00
A9141	430H-200	TIMING BELT	119.00
A9142	420H-200	TIMING BELT	99.00
A9144	210H-200	TIMING BELT	109.00
A9147	450H-100	TIMING BELT	62.00
A9150	850H-150	TIMING BELT	179.00
A9153	390H- 200	TIMING BELT	109.00
A9154	410H - 200	TIMING BELT	132.00
A9155	150S X 8M X1520L	TIMING BELT	64.80
A9156	600H - 100	TIMING BELT	99.00
A9157	B150s3m207	TIMING BELT	30.00
A9160	TS-10-95	TIMING BELT	22.99
A9170	150S8M1120	TIMING BELT	69.00



Alternative Parts Inc.

REPLACEMENT PARTS FOR AMADA MACHINERY
7 Sawgrass Drive, Bellport, NY 11713 • www.ALTPARTS.COM

Toll Free
888-882-6001

BEARINGS

API Part #	AMADA Drawing #	Description	Price
A9407	Nutr206x	BEARING	\$115.00
A9408	86283907	BEARING	65.00
A9410	32014XU	BEARING	99.00
A9411	HR32015XJ	BEARING	139.00
A9412	HR32016XJ	BEARING	99.00
A9413	HR30218J-P5	BEARING	259.00
A9416	4T32007X	BEARING	39.00
A9422	6001z	BEARING	9.78
A9424	6003zz	BEARING	8.00
A9425	6022LU	BEARING	21.90
A9426	6004zz	BEARING	7.90
A9427	6205zz	BEARING	9.90
A9428	6018zz	BEARING	99.00
A9430	6020zz	BEARING	137.00
A9432	6022zz	BEARING	149.00
A9433	6212zz	BEARING	83.00
A9435	6201zz	BEARING	9.00
A9436	6203zz	BEARING	8.90
A9437	6204ZZ	BEARING	9.00
A9438	6206ZZ	BEARING	11.90
A9439	30207	BEARING	29.00
A9440	6005zz	BEARING	9.90
A9441	6213zz	BEARING	49.00
A9442	6208zz	BEARING	14.90
A9443	6217zz	BEARING	149.00
A9443a	6904zz	BEARING	9.90
A9444	7001	BEARING	45.00
A9445	7016 set of 2	BEARING	319.00
A9445a	Needle Bearing & Ring for Auto Index	BEARING	390.00
A9446	74081109 for Togu III	BEARING	459.00
A9447	7004A	BEARING	36.00
A9448	7205ADB	BEARING	139.00
A9449	7204CDB	BEARING	104.00
A9450	7206CDFT/GNP4	BEARING	243.00
A9452	7932023	BEARING	269.00
A9453	30TAC62DBD	BEARING	419.00
A9454	7206CDB/GNP4	BEARING	139.00
A9455	20TAC47ADB-C10	BEARING	389.00
A9456	20TAC47BSVC10	BEARING	328.00
A9460	ST-25B, 36180133	BEARING	69.00
A9465	74208831	BEARING	24.99
A9500	N/A	BEARING - LM Guide X-Axis	349.00
A9501	N/A	BEARING - LM Guide Y-Axis	569.00
A9502	N/A	BEARING - LM Guide X Axis Coma Plasma	349.00
A9507	N/A	BEARING - LM Guide Y Axis: Apellio	354.00



Alternative Parts Inc.
 REPLACEMENT PARTS FOR AMADA MACHINERY
 7 Sawgrass Drive, Bellport, NY 11713 • www.ALTPARTS.COM

Toll Free
888-882-6001

VEE-BELTS

API Part #	AMADA Drawing #	Description	Price
A9111	3V850	VEE-BELT	\$29.00
A9112	3V900	VEE-BELT	36.00
A9114	3V-800	VEE-BELT	29.00
A9115	B-82	VEE-BELT: I.D. 81", O.D. 83.25"	39.00
A9117	B-85	VEE-BELT: I.D. 83", O.D. 85.25"	39.00
A9121	B-89	VEE-BELT: I.D. 87.25", O.D. 89.5"	29.00
A9121A	B-90	VEE-BELT: I.D. 88.25", O.D. 90.5"	39.00
A9122	B-91	VEE-BELT: I.D. 89.25", O.D. 91.5"	39.00
A9123	B-92	VEE-BELT: I.D. 91", O.D. 93"	39.00
A9126	B-93	VEE-BELT: I.D. 91.25", O.D. 93.5"	39.00
A9127	B-96	VEE-BELT: I.D. 93.25", O.D. 95.5"	39.00
A9129	B-103	VEE-BELT	35.00
A9130	B-107	VEE-BELT Shear M1245: I.D. 105.25", O.D. 107.5"	49.00
A9132	B-118	VEE-BELT	35.00
A9134	B-123	VEE-BELT	39.00
A9136	B-140	VEE-BELT	45.00
A9161	10T5-630	TIMING-BELT	75.00

OIL SEALS, U CUPS

API Part #	AMADA Drawing #	Description	Price
A9607	SB-90 X 120 X 13	Oil Seal	\$24.00
A9609	SB-95 X 120 X 13	Oil Seal	24.00
A9611	SB-100 X 125 X 13	Oil Seal	17.90
A9612	SB-100 X 125 X 13	Oil Seal	19.90
A9613	SB-120 X 150 X 14	Oil Seal	24.00
A9614	SB-130 X 160 X 14	Oil Seal	23.90
A9615	SB290 X 330 X 18	Oil Seal	159.00
A9616	SC-270 X 300 X 15	Oil Seal	199.00
A9617	AB2240GO	Oil Seal	8.00
A9618	AF1311GO	Oil Seal	8.00
A9619	AC1013A0	Oil Seal	14.00
A9621	AB1700EO	Oil Seal	9.90
A9622	AB4355E	Oil Seal	19.90
A9626	AF2340-FO	Oil Seal	8.90
A9627	AG2229EO	Oil Seal	12.00
A9628	AF1535GO	Oil Seal	12.00
A9640	S-709513	Oil Seal	19.00
A9641	S-406211	Oil Seal	22.50
A9650	40 X 50 X 6	U – Cup	12.00
A9653	30 X 45 X 10	U – Cup	18.00
A9656	12.5 X 22.5 X 8.4	U – Cup	12.00
A9659	1.188 X 1.5 X .156	U – Cup	8.50
A9662	.750 X 1.0 X .125	U – Cup	8.50
A9665	44341032 H SHEAR	U PACKING	8.90



TABLE PARTS

API Part #	AMADA Drawing #	Description	Price
A3552	74379659	C-3s Button Brush	19.00
A3557	C-5s	Free Bearing	12.00
A4264	74381950	Air Cylinder/ssd-25-15	79.00
A4265	74568610	Air Cylinder/ssd-I-25-15	109.00
A8697	C-8L	Transfer Ball	\$6.90
A8697A	RTW-56	Snap Ring-C8L Transfer Ball	3.00
A8698	74417050	EM free bearing	39.00
A8699	7830287	Free Bearing for Vipros Brush Table	39.90
A8700	71360993	Trans Ball-LC Laser	22.00
A8701	C8Y-a	Transfer Ball	8.69
A8702	P550006022	Air Cylinder for Transfer Ball	79.00
A8703	74161131/823188a	Roller Cushion	26.00
A8704	74161674/6013244	Bearing Cap	89.00
A8704a	74161675/6013245	Bearing Holder	89.00
A8705	803028	Roller-All Machines	9.90
A8706	813519	Roller-Pega 244	16.90
A8707	74161196/823189	Spacer	4.00
A8708	74163101/808520a	Isolating Piece	6.00
A8709	74161728	Roller Follower	69.00
A8710	6012821a	Table Front Side-Pega 357	3,499.00
A8711	6012822a	Table Rear Side-Pega 357 Ver B	2,999.00
A8712	6012822a	Table Read Side-Pega 357 Ver DE	2,999.00
A8717	74398362	Brush (F2)	Call for pricing
A8718	74386875	Brush (F1)	Call for pricing
A8719	74384487	Brush Table H	Call for pricing
A8720	74384488	Brush Table k	Call for pricing
A8721	6578995	Brush Table	Call for pricing
A8722	74384486/6579028	Brush Table	Call for pricing
A8723	74379289 / 6579073	Brush Table K	Call for pricing
A8724	74379285 / 6573532	Brush Table H	Call for pricing
A8730	N/A	Brush Button-Replaces Table Ball	6.25
A8731	74161610	C-8Y Transfer Ball	12.00

*More Brush Table Sizes Available, Call for pricing.

MACHINE MOUNTS

API Part #	AMADA Drawing #	Description	Price
A8741	7030009	Coma / Pega	\$459.00
A8742	7030008/7030010	Aries / Octo	150.00
A8743	7030010	Pega 244	229.00
A8744	7030055	50 Ton Isolator for Vipros equipment	599.00
A8745	7030050	30 Ton Isolator for Vipros equipment	499.00



Alternative Parts Inc.

REPLACEMENT PARTS FOR AMADA MACHINERY
7 Sawgrass Drive, Bellport, NY 11713 • www.ALTPARTS.COM

Toll Free
888-882-6001

SAFETY MATS

API Part #	FANUC Board #	Description	Price
2743	N/A	27 x 43 Mat	Call for pricing
2757	N/A	27 x 57 Mat	Call for pricing
2772	N/A	27 x 72 Mat	Call for pricing

Many Other Sizes Available, Please Call

TOOL GRINDING WHEELS

API Part #	AMADA Drawing #	Description	Price
A6286	G6B41037m	Togu Relay	150.00
A6504	74081176	Togu Level Switch	219.00
A8805	74080246	ATG-TEG Coolant Motor	475.00
A8880	5103597-b	Togu Conductive Plate	45.00
A8881	5103642-3	Togu Filter Sheet set of 2	69.00
A8882	GX233-19	Tool Grinding Wheel Wrench	\$399.00
A8885	74081130	Togu Gas Spring Set gs068-3016c/gs075-3036c	299.00
A8886	74081151	Togu Coolant	49.00
A8886a	74081011	Togu Cooling Pump / Cooling Water Pump	449.00
A8889	ATG	Dresser Stick	12.00
A8890	9520215	Tool Grinding Wheel - Togu III	429.00
A8891	74080047	Tool Grinding Wheel-TG160	135.00
A8891A	N/A	Dressing Stick for Togu	4.99
A8902	74081105	Togu LM Guides	Call for pricing



Alternative Parts Inc.

REPLACEMENT PARTS FOR AMADA MACHINERY
7 Sawgrass Drive, Bellport, NY 11713 • www.ALTPARTS.COM

Toll Free
888-882-6001

Machine Reconditioning

Alternative Parts and Service specializes in reconditioning your Amada Punch Press. Our state of the art refurbishing facility uses our direct replacement parts to bring your equipment back to its original condition. API will upgrade your control with **the industry's most advanced technology, the PC 800 Control**. Downtime is less than 2 weeks and the upgrade can be performed at your facility or ours.

Refurbishing services are customized to each machine. An evaluation will be done to determine the specific need of each machine.

Complete refurbishing includes:

- Replacement of X & Y axis Ballscrews.
- Replacement of X & Y axis Linear Motion Guide Rails.
- Turret Tool Stations sleeved with perma-sleeve, the permanent solution to upper turret disk bore wear.
- Complete Clutch and Brake overhaul.
- Replacement of work holder clamps.
- Replace control with the PC 800 Control.

**API upgrades come with an industry leading
2-year warranty.**

NO DOWNTIME WITH MACHINE TRADE IN

WE ARE AMADA EXPERTS

30% LESS COSTLY THAN THE O. E. M.

TURRET SLEEVING





Alternative Parts Inc.

REPLACEMENT PARTS FOR AMADA MACHINERY
7 Sawgrass Drive, Bellport, NY 11713 • www.ALTPARTS.COM

Toll Free
888-882-6001

TURRET RECONDITIONING

Retro-Sleeve

“The Cure for Upper-Turret Punch
Press Bore Wear.”

Retro-Sleeve can help maintain the tolerances you require, while producing quality parts your customers demand. With **an 18-Month warranty**, Retro-Sleeve offers greater accuracy and increased green light time.

Only Two days down time per machine!

Alternative Parts can provide a sleeving process for the upper turret disk on your punch press **that is a permanent solution to upper turret disk bore wear.**

Have you been experiencing any of the following signs?

- Is the tool guide loose in the upper bore?
- Have you been dulling tools excessively?
- Are you breaking punches or dies?
- Having trouble maintaining tool alignment?
- Is burring a problem?

Auto Index Station Sleeves can be replaced with O.E.M. parts at your request.

Refurbishing done on site – Without dismantling the machine. This process is accomplished at your site and your convenience. Worn turret disk bores cause-tooling costs to increase, productivity decreases and piece part quality decreases. Down time to completely sleeve the upper turret disk is two days. *The floor space required for our service equipment is the same workspace already designated for the punch press. Machine parts and equipment are not scattered, and will not interfere with other work areas.*



Alternative Parts Inc.

REPLACEMENT PARTS FOR AMADA MACHINERY
7 Sawgrass Drive, Bellport, NY 11713 • www.ALTPARTS.COM

Toll Free
888-882-6001

TURRET RECONDITIONING

Serviceability on a per station basis. Many times there are only certain stations on a turret disk that are in need of repair. Our sleeving process can be performed on a per station basis as required to maintain desired tolerances.

Replacement sleeves available upon request. In the event a replacement sleeve is required, simply phone our toll free number, 1-888-882-6001 and place your order. The parts will be shipped to your facility and can be installed by your personnel.

Octo-Rack exchange program. In recognition of this environmentally conscious age, we offer an exchange program for the Octo-Rack punch press. At your request, we will send a refurbished Octo-Rack to your facility. Simply install the sleeved pack and return your worn rack to Alternative Parts, Inc. The only down time is the time required to change the Octo-Racks in the machine. If required, the retrofitted rack you received can now be serviced on a per station basis by your personnel.

Peace of mind. Retro-Sleeve is a long-lasting solution to upper turret bore wear. The sleeve carries an **18-month warranty** that covers parts and labor. Replacement sleeves are available at your request and installation is quick and simple. Our business is dedicated to help maintain peak performance from your equipment, while at the same time keeping maintenance costs at the lowest levels possible.

Please call us for a written quotation.



Alternative Parts Inc.

REPLACEMENT PARTS FOR AMADA MACHINERY
7 Sawgrass Drive, Bellport, NY 11713 • www.ALTPARTS.COM

Toll Free
888-882-6001

METRIC HARDWARE

API Part #	AMADA Drawing #	Description	Price
A0799	M5 X 45	Straight Pin M5 X 45	1.50
A0826	N/A	Socket Cap Screw M5 X 16 (package of 10)	\$3.00
A0827	N/A	Flat Head Screw M6 X 16 (package of 10)	3.00
A0828	N/A	Pan Screw: M8 X 12 (package of 10)	6.90
A0828A	N/A	Button Head Screw: M6 X 20 (package of 10)	\$1.90
A0830	N/A	Set Screw: M5 X 6 (package of 10)	3.00
A0831B	P330570059	Set Screw: M6 X 8 (each)	0.50
A0831C	N/A	Set Screw: M6 X 10 (package of 10)	1.70
A0831D	N/A	Set Screw: M6 X 16 (package of 10)	1.90
A0831E	N/A	Set Screw: M4 X .7 X 6 (package of 10)	1.90
A0833	N/A	Socket Cap Screw M6 X 18 (package of 10)	4.00
A0835	N/A	Set Screw: M8 X 8 (each)	0.40
A0836	N/A	Set Screw: M10 X 12 (each)	1.00
A0837	N/A	Socket Cap Screw M6 X 20 (package of 10)	1.90
A0838	N/A	Socket Cap Screw M4 X .7 X 12(package of 10)	3.00
A0838A	N/A	Hex Cap Screw: M12 X 100 (each)	3.90
A0838B	N/A	Hex Cap Screw: M10 X 80 (each)	3.90
A0839	N/A	Socket Cap Screw M6 X 80 (package of 10)	7.90
A0839A	N/A	Socket Cap Screw M12 X 75	2.90
A0839B	N/A	Socket Cap Screw M8 X 20 (package of 10)	3.90
A0839C	N/A	Socket Cap Screw M6 X 10 (package of 10)	1.80
A0839D	N/A	Hex Cap Screw: M12 X 20 (package of 10)	7.90
A0839E	N/A	Socket Cap Screw M5 X 25 (package of 10)	2.90
A0839F	N/A	Socket Cap Screw M10 X 35 (package of 10)	4.90
A0839FF	N/A	Socket Cap Screw M10 X 30 (package of 10)	7.90
A0839G	N/A	Socket Cap Screw M10 X 40 (package of 10)	7.90
A0839H	N/A	Socket Cap Screw M10 X 50 (package of 10)	7.90
A0839I	N/A	Socket Cap Screw M10 X 70 (each)	2.90
A0839J	N/A	Socket Cap Screw M10 X 65 (each)	2.90
A0839K	N/A	Socket Cap Screw M6 X 12 (package of 10)	2.90
A0839L	N/A	Socket Cap Screw 5/16" X 24 X 3/4 (package of 10)	3.90
A0839M	N/A	Socket Cap Screw M6 X 40 (package of 10)	7.90
A0839N	N/A	Socket Cap Screw M8 X 16 (package of 10)	7.90
A0839O	N/A	Socket Cap Screw M5 X 30 (package of 10)	0.40
A0839P	N/A	Socket Cap Screw M5 X 20 (package of 10)	2.90
A0839Q	N/A	Socket Cap Screw M6 X 16 (package of 10)	7.90
A0839R	N/A	Socket Cap Screw M12 X 30 (package of 10)	7.90
A0839S	N/A	Socket Cap Screw M6 X 50 (package of 10)	7.90
A0847	M6 X 85	Socket Cap Screw M6 X 85	.40
A0848	M10 X 12	Dog End Set Screw M10 X 12	.45
A0849	M6X12	Socket Cap Screw M6 X 12	.30
A0897	N/A	M8 X 25 Hex Head Screw	1.00
A0935	M4X20	Socket Cap Screw M4X20	.30
A1035	STW 40	Snap Ring STW 40	2.00
A1036	RTW - 37	Snap Ring RTW 37	2.00



ALTERNATIVE PARTS INC

REPLACEMENT PARTS FOR AMADA & FANUC MACHINERY

1-888-882-6001 631-345-9500 Fax: 631-345-9580

www.ALTPARTS.COM